

Applications:

- Harsh and hazardous environments, including refineries, chemical and petrochemical plants, corrosive process facilities, food and beverage, marine and mining
- Panel shops, skid builders and other OEM applications

Certifications and compliances:

NEC/CEC:

- Class I, Divisions 1 & 2, Groups B, C, D
- Class II, Divisions 1 & 2, Groups E, F, G
- Class III

UL standards:

- UL File No. E10593
- UL1203 – Standard for Explosionproof and Dust-ignitionproof Electrical Equipment for use in Hazardous (Classified) Locations
- UL50 – Enclosures for Electrical Equipment
- UL508 – Standard for Industrial Control Equipment

CSA standards:

- CSA C22.2 No. 25-1966 – Enclosures for use in Class II, Groups E, F, G Hazardous Locations
- CSA C22.2 No. 30-M1986 – Explosionproof Enclosures for use in Class I Hazardous Locations
- CSA C22.2 No. 94-M91 – Special Purpose Enclosures Industrial Products
- CSA C22.2 No. 14-13 – Industrial Control Equipment

IEC standards:

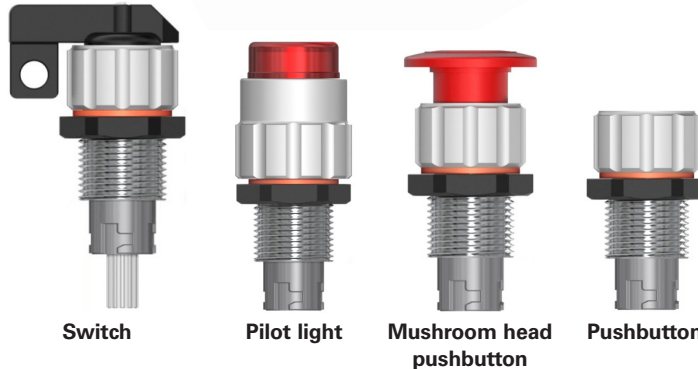
- EN 60079-1 / IEC 60079-1
- EN 60079-31 / IEC 60079-31

Environmental ratings:

- Ambient temperature range: -50°C to +60°C

IECEx/ATEX standards:

- II 2G Ex db IIC Gb
- II 2D Ex tb IIIC Db
- Sira 18ATEX1236U; IECEx CSA 18.0027U
- IP66W (salt spray)
- Ambient temperature range: -50°C to +60°C



Operator types available:

- Pushbuttons
- Reset buttons
- Pilot lights
- Illuminated pushbuttons
- Mushroom head pushbuttons
- Mushroom head push/pull buttons
- Selector switches

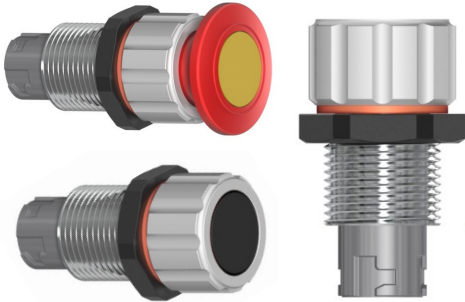
Suggested thread length for Crouse-Hinds series enclosures:

Product	Medium	Large
EBM and EBMX	X	
EICA and EICB	X	
EICC		X
ACE VFD, sizes 1 and 2		X
EJB and ECP, heights 06-18	X	
EJB and ECP, heights 24-36		X

Note: EJB cast cover enclosures with a height of 16" would get large thread length.

Ordering information and dimensions:

Pushbuttons



Part number example – pushbutton
EMPXS519

EMPX **S** **519**

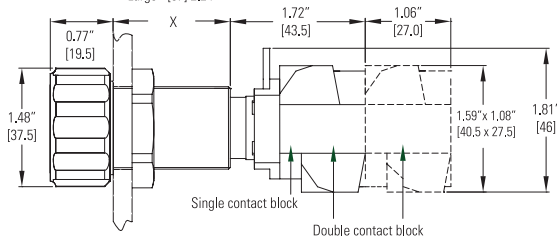
Thread length

S	Small (25mm)
M	Medium (40mm)
L	Large (57mm)

Pushbuttons

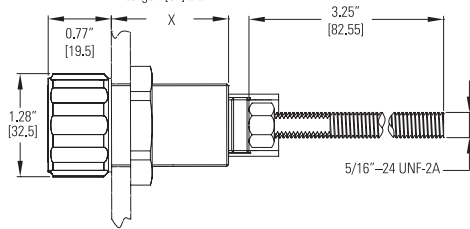
099	Reset pushbutton (with threaded shaft)
519	Big pushbutton, (1) NO & (1) NC contacts
529	Big pushbutton, (2) NO & (2) NC contacts
819	Mushroom head pushbutton, (1) NO & (1) NC contacts
829	Mushroom head pushbutton, (2) NO & (2) NC contacts
918	Mushroom head push and pull button, (1) NO & (1) NC contacts
928	Mushroom head push and pull button, (2) NO & (2) NC contacts

Dimension X
 Small—[25] 0.94"
 Med—[40] 1.57"
 Large—[57] 2.24"



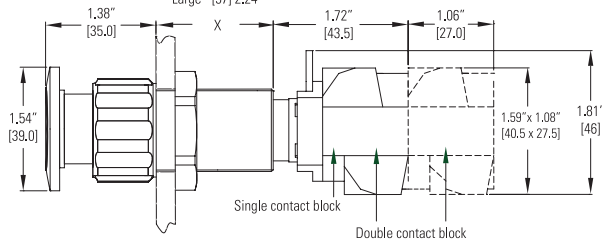
Big pushbutton

Dimension X
 Small—[25] 0.94"
 Med—[40] 1.57"
 Large—[57] 2.24"



Reset pushbutton

Dimension X
 Small—[25] 0.94"
 Med—[40] 1.57"
 Large—[57] 2.24"



Mushroom head pushbutton

Replacement parts:

Ordered separately

EMPXC-1-A	EMPX pushbutton contact block, 1 NO / 1 NC
EMPXC-1-B	EMPX pushbutton contact block, 2 NO
EMPXC-1-C	EMPX pushbutton contact block, 2 NC

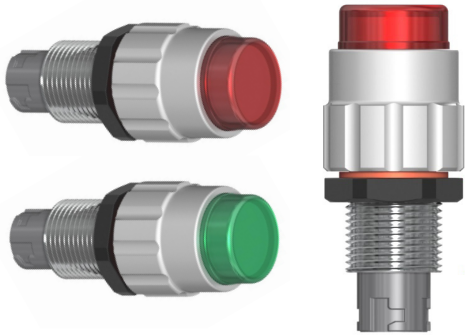


Electrical ratings:

	Voltage	Current
Ratings	U: 500V	I _{th} 10A
Breaking capacity for AC 15	220V	10A
	380V	7.5A
	500V	5A
Breaking capacity for DC 13	24V	2.75A
	60V	1.10A
	110V	0.55A
	220V	0.27A

Ordering information and dimensions:

Illuminated pushbuttons



Part number example – illuminated pushbutton

EMPXS119-J1-T2

EMPX S 119 – J1 – T2

Thread length

S	Small (25mm)
M	Medium (40mm)
L	Large (57mm)

Illuminated pushbuttons

119	Illuminated pushbuttons, (1) NO & (1) NC contacts
------------	---

Lens colors

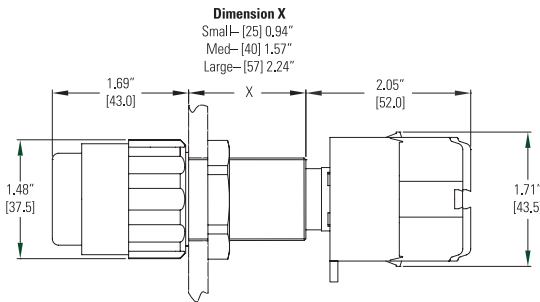
J1	Red
J3	Green
J6	Amber
J11	Blue

Voltage

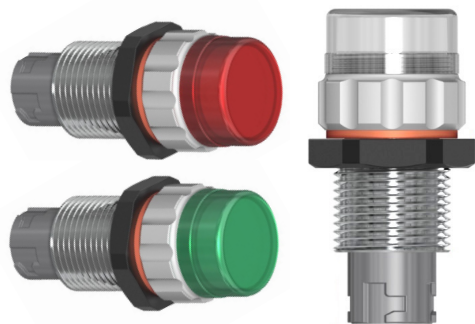
BLANK	120V
S300	24 VDC
T2	240V

Electrical ratings:

	Voltage	Current
Ratings	U: 500V	I _{th} 6A
Contacts for AC 15	500V	5A
Contacts for DC 13	220V	0.27A



Pilot lights



Part number example – pilot light

EMPXS009-J1-T2

EMPX S 009 – J1 – T2

Thread length

S	Small (25mm)
M	Medium (40mm)
L	Large (57mm)

Pilot lights

009	Pilot lights
------------	--------------

Lens colors

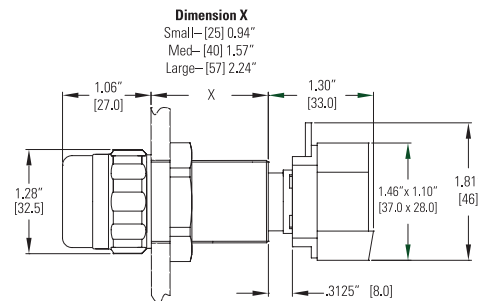
J1	Red
J3	Green
J6	Amber
J11	Blue

Voltage

BLANK	120V
S300	24 VDC
T2	240V
T4	480V

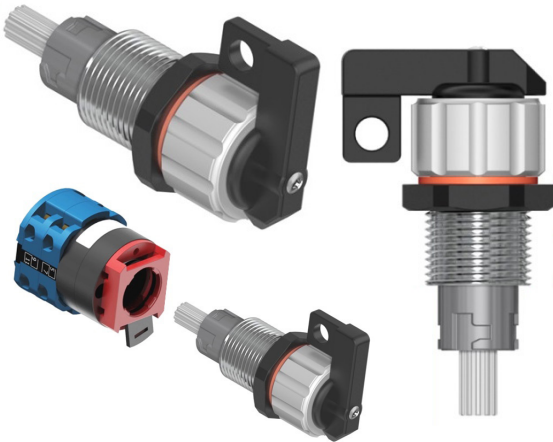
Electrical ratings:

	Voltage	Current
Ratings	U: 500V	I _{th} 6A
Contacts for AC 15	500V	5A
Contacts for DC 13	220V	0.27A



Ordering information and dimensions:

Switches



Part number example – 2- and 3-position switch
EMPXS049

EMPX **S** **049**

Thread length	
S	Small (25mm)
M	Medium (40mm)
L	Large (57mm)

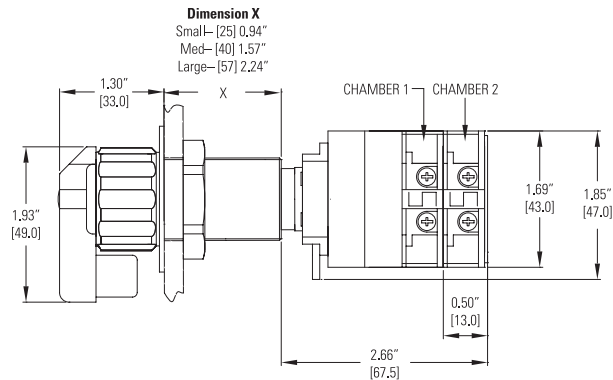
Switches	
049	2-position switch, (1) NO & (1) NC contacts
059	2-position switch, (2) NO & (2) NC contacts
069	3-position switch, (1) NO & (1) NC contacts
079	3-position switch, (2) NO & (2) NC contacts

Electrical ratings:

	Voltage	Current	Max. number of contact chambers
Ratings	690V	20A	6

	Breaking capacity for AC	
	Voltage	Current
AC-3	220-240V	3.0 kW
	380-440V	5.5 kW
AC-15	220-240V	5A
	380-440V	4A
AC-22A	220-240V	20A
	380-440V	20A
AC-23	220-240V	3.7 kW
	380-440V	7.5 kW

	Breaking capacity for DC			
	24V	48V	60V	110V
Resistive loads T<1ms	20A	12A	4.5A	1A
Inductive loads T=50ms	12A	2A	1A	0.4A



Typical contact positions:

