

The safety you rely on.



Powering Business Worldwide



CHS Controls AB
Tel +46 42 38 61 00, Fax +46 42 38 61 29
chs@chscontrols.se www.chscontrols.se



Energizing a world that demands more.

We deliver:

- **Electrical solutions** that use less energy, improve power reliability and make the places we live and work safer and more comfortable
- **Hydraulic and electrical solutions** that enable machines to deliver more productivity without wasting power
- **Aerospace solutions** that make aircraft lighter, safer and less costly to operate, and help airports operate more efficiently
- **Vehicle drivetrain and powertrain solutions** that deliver more power to cars, trucks and buses, while reducing fuel consumption and emissions

Discover today's Eaton.

Powering business worldwide

As a global power management company, we help customers worldwide manage the power needed for buildings, aircraft, trucks, cars, machinery and businesses.

Eaton's innovative technologies help customers manage electrical, hydraulic and mechanical power more reliably, efficiently, safely and sustainably.

We provide integrated solutions that help make energy, in all its forms, more practical and accessible.

With 2015 sales of \$20.9 billion, Eaton has approximately 100,000 employees around the world and sells products in more than 175 countries.

Eaton.com

EATON

Powering Business Worldwide



Contents

About us..... 4-5

Cable glands and thread conversion products for hazardous areas

Selection guide for hazardous areas8-9
 Selection guide for non-hazardous areas 10-11
 Capri ADE cable glands specification features.... 12-13
 Capri ADE-1F2..... 14-15
 Capri ADE-1F2 DS 16-17
 Capri ADE-1F2 A with integral clamping module . 18-19
 Capri ADE-1F2 O-Ring..... 20-21
 Capri ADE-1FC 22-23
 Capri ADE-4F..... 24-25
 Capri ADE-5F..... 26-27
 Capri ADE-6F..... 28-29
 Capri ADE-6FC 30-31
 Capri ADE cable gland accessories and kits..... 32
 Capri accessories 33-35
 Capri NEWCAP MS-e 36
 Capri NEWCAP CT-e 37
 Capri EXACAP Ex-e / Ex-i / CEAG GHG Ex-e / Ex-i..... 38
 CEAG Trumpet..... 39
 Terminator™ II TMCX..... 40-41
 Terminator™ II TMCX accessories42
 TMCX.....43
 Capri Ex certified reducers / adapters 44
 Capri Ex certified stopping plugs..... 45

Cable glands and thread conversion products for non-hazardous areas

Capri IGA2 48
 Capri IGBW 49
 Capri IGCW 50
 Capri IGCX..... 51
 Capri IGE1W..... 52
 Capri IGE1X..... 53
 Capri IGE2W..... 54
 Capri IGE2X 55
 Capri NEWCAP MS 56
 Capri NEWCAP MS Multi-wired / Flat 57
 Capri NEWCAP CT 58
 Capri ADE-4i 59
 Capri EUROCAP..... 60
 Capri ECP 61
 Capri UNICAP..... 62
 TMC 63

TECK 64
 CGD..... 65
 CGB..... 66-67
 CGE 68
 Capri industrial accessories..... 69-76

Technical information

Cable glands installation guide 78-79
 Capri cable gland certifications..... 80-81
 Capri ADE Ex markings 82
 Crouse-Hinds cable gland certifications 83
 Cable types and wiring methods..... 84
 Selection of cable glands 85-87
 Bi-metallic corrosion..... 88
 Thread dimension guide..... 89

The product information published in our catalogs and literature is not guaranteed. It has been compiled with care and is sufficiently accurate for most purposes. It is subject to change without notice. Occasionally, it may be necessary to modify the materials, finishes or other components of the product. These changes will in no way reduce the performance or function for which the product is intended.

All statements, technical information and recommendations contained herein are based on information and tests we believe to be reliable. The accuracy or completeness thereof are not guaranteed. In accordance with Eaton's Crouse-Hinds' Terms and Conditions of Sale, and since conditions of use are outside our control, the purchaser should determine the suitability of the product for his/her intended use and assumes all risk and liability whatsoever in connection therewith.

All sales of Eaton's Crouse-Hinds products are specifically subject to the Terms and Conditions of Sale as shown in Eaton's Crouse-Hinds distributor price sheets.



Global Cable Glands Solution

Eaton's Crouse-Hinds Division provides a termination solution for virtually every cable type used in hazardous and industrial environments – both onshore and offshore and above and below ground. Our cable glands and accessory products are designed for strict adherence to global specifications for IEC and NEC wiring standards, meeting international and North American certification requirements including ATEX, IECEx, UL and regional certifications. Our products are also certified for dust and mining applications.

From the deserts of Africa to the icy waters of the North Sea, the world turns to Eaton's Crouse-Hinds Division for its complete range of cable installation products. Our cable glands, thread conversion products and cable installation accessories are used in industrial and commercial applications throughout the world, enhancing safety and productivity in the most severe environmental conditions.

Eaton's Crouse-Hinds series cable glands are the easiest and safest solution for your installation and maintenance needs. In any electrical or instrumentation installation, our glands are the reliable and safe way to move power and signals.



Powering Business Worldwide

Global Support & Manufacturing

Our sales support and manufacturing facilities are strategically positioned around the world to deliver products close to your project. Whenever required we are there on-site during construction, commissioning and training.

Eaton's Crouse-Hinds Division manufactures in five continents and sells into more than 100 countries. We have dedicated sales support in every major location with local technical sales and engineering teams to support your immediate needs. As one of the largest oil and gas bulk electrical and instrument material suppliers, we can easily provide you a single source for all the components to complete your project on time and on budget.

A Powerful Transformation

Rely on the names you trust for the safety you need

The Capri and CEAG products you know are evolving. Our products, part of Eaton's Crouse-Hinds Division portfolio, are now united with Eaton's leading range of reliable, efficient and safe electrical power management solutions. Combined, we provide the world's largest portfolio of electrical equipment for explosive, classified and industrial areas.

With unsurpassed product reliability and quality, industry-leading innovation and product efficiency, and products designed and certified for global specifications, Eaton's Crouse-Hinds Division's solutions, including Capri and CEAG products, deliver proven solutions for harsh and hazardous environments.

Capri and CEAG have a new look as Eaton's Crouse-Hinds Division but the products and technology you trust remain unchanged. From explosionproof panelboards and lighting to connectivity and cable glands, the broadest offering of solutions for harsh and hazardous environments is now available from Eaton's Crouse-Hinds Division.

**More protection. More technology.
Expect more.**



















CHS Controls AB
Tel +46 42 38 61 00, Fax +46 42 38 61 29
chs@chscontrols.se www.chscontrols.se



Cable glands and thread conversion products for hazardous areas










Selection guide for cable glands for hazardous areas

CABLE GLAND		CABLE TYPE	GLAND TYPE	STANDARD MATERIAL	CERTIFICATION
ADE-1F2 Page 14-15		<ul style="list-style-type: none"> Non-armoured Marine shipboard cable Tray cable Type P 	<ul style="list-style-type: none"> Non-armoured 	<ul style="list-style-type: none"> Nickel-plated brass Option: <ul style="list-style-type: none"> Stainless steel Aluminum Bronze 	
ADE-1F2 DS Page 16-17		<ul style="list-style-type: none"> Non-armoured Marine shipboard cable Tray cable Type P 	<ul style="list-style-type: none"> Non-armoured 	<ul style="list-style-type: none"> Nickel-plated brass Option: <ul style="list-style-type: none"> Stainless steel Aluminum Bronze 	
ADE-1F2 A Clamping Page 18-19		<ul style="list-style-type: none"> Non-armoured Marine shipboard cable Tray cable Type P 	<ul style="list-style-type: none"> Non-armoured 	<ul style="list-style-type: none"> Nickel-plated brass Option: <ul style="list-style-type: none"> Stainless steel Aluminum Bronze 	
ADE-1F2 O-Ring Page 20-21		<ul style="list-style-type: none"> Non-armoured Marine shipboard cable Tray cable Type P 	<ul style="list-style-type: none"> Non-armoured 	<ul style="list-style-type: none"> Nickel-plated brass Option: <ul style="list-style-type: none"> Stainless steel 	
ADE-1FC Page 22-23		<ul style="list-style-type: none"> Non-armoured Marine shipboard cable Tray cable Type P 	<ul style="list-style-type: none"> Non-armoured 	<ul style="list-style-type: none"> Nickel-plated brass Option: <ul style="list-style-type: none"> Stainless steel Bronze 	
ADE-4F Page 24-25		<ul style="list-style-type: none"> SWA SWB STA Braided marine shipboard Lead sheathed (with washer) Type P 	<ul style="list-style-type: none"> Armoured 	<ul style="list-style-type: none"> Nickel-plated brass Option: <ul style="list-style-type: none"> Stainless steel Aluminum Bronze 	
ADE-5F Page 26-27		<ul style="list-style-type: none"> SWA SWB STA Braided marine shipboard Lead sheathed (with washer) Type P 	<ul style="list-style-type: none"> Armoured 	<ul style="list-style-type: none"> Nickel-plated brass Option: <ul style="list-style-type: none"> Stainless steel Aluminum Bronze 	
ADE-6F Page 28-29		<ul style="list-style-type: none"> SWA SWB STA Braided marine shipboard Type P 	<ul style="list-style-type: none"> Armoured 	<ul style="list-style-type: none"> Nickel-plated brass Option: <ul style="list-style-type: none"> Stainless steel Aluminum Bronze 	

Selection guide for cable glands for hazardous areas

CABLE GLAND		CABLE TYPE	GLAND TYPE	STANDARD MATERIAL	CERTIFICATION
ADE-6FC Page 30-31		<ul style="list-style-type: none"> SWA SWB STA Braided marine shipboard Type P Tray cable 	<ul style="list-style-type: none"> Armoured 	<ul style="list-style-type: none"> Nickel-plated brass Option: <ul style="list-style-type: none"> Stainless steel Bronze 	
NEWCAP MS-e Page 36		<ul style="list-style-type: none"> Non-armoured Braided cable 	<ul style="list-style-type: none"> Non-armoured 	<ul style="list-style-type: none"> Nickel-plated brass Option: <ul style="list-style-type: none"> Stainless steel 	
NEWCAP CT-e Page 37		<ul style="list-style-type: none"> Non-armoured Braided cable For EMC specific cable and application 	<ul style="list-style-type: none"> Non-armoured 	<ul style="list-style-type: none"> Nickel-plated brass Option: <ul style="list-style-type: none"> Stainless steel 	
EXACAP Ex-e Page 38		<ul style="list-style-type: none"> Non-armoured 	<ul style="list-style-type: none"> Non-armoured 	<ul style="list-style-type: none"> Nylon 	
EXACAP Ex-i Page 38		<ul style="list-style-type: none"> Non-armoured 	<ul style="list-style-type: none"> Non-armoured 	<ul style="list-style-type: none"> Nylon 	
TRUMPET Page 39		<ul style="list-style-type: none"> Non-armoured 	<ul style="list-style-type: none"> Non-armoured 	<ul style="list-style-type: none"> Nylon 	
TMCX II Page 40-41		<ul style="list-style-type: none"> Metal-clad with interlocked or continuously welded corrugated TECK armoured Armoured barrier Tray cable 	<ul style="list-style-type: none"> Armoured 	<ul style="list-style-type: none"> Aluminum Option: <ul style="list-style-type: none"> Nickel-plated brass Stainless steel 	
TMCX Page 43		<ul style="list-style-type: none"> Metal-clad with interlocked or continuously welded corrugated TECK armoured Tray cable 	<ul style="list-style-type: none"> Armoured barrier Non-armoured barrier 	<ul style="list-style-type: none"> Aluminum Option: <ul style="list-style-type: none"> Nickel-plated brass 	

Selection guide for cable glands for non-hazardous areas

CABLE GLAND		CABLE TYPE	GLAND TYPE	STANDARD MATERIAL	CERTIFICATION
IGA2 Page 48		<ul style="list-style-type: none"> Non-armoured 	<ul style="list-style-type: none"> Non-armoured 	<ul style="list-style-type: none"> Brass Option: Nickel-plated 	
IGBW Page 49		<ul style="list-style-type: none"> SWA 	<ul style="list-style-type: none"> Armoured 	<ul style="list-style-type: none"> Brass Option: Nickel-plated 	
IGCW Page 50		<ul style="list-style-type: none"> SWA 	<ul style="list-style-type: none"> Armoured 	<ul style="list-style-type: none"> Brass Option: Nickel-plated 	
IGCX Page 51		<ul style="list-style-type: none"> SWB STA 	<ul style="list-style-type: none"> Armoured 	<ul style="list-style-type: none"> Brass Option: Nickel-plated 	
IGE1W Page 52		<ul style="list-style-type: none"> SWA 	<ul style="list-style-type: none"> Armoured 	<ul style="list-style-type: none"> Brass Option: Nickel-plated 	
IGE1X Page 53		<ul style="list-style-type: none"> SWB STA 	<ul style="list-style-type: none"> Armoured 	<ul style="list-style-type: none"> Brass Option: Nickel-plated 	
IGE2W Page 54		<ul style="list-style-type: none"> SWA Lead sheath cable 	<ul style="list-style-type: none"> Armoured 	<ul style="list-style-type: none"> Brass Option: Nickel-plated 	
IGE2X Page 55		<ul style="list-style-type: none"> SWB STA Lead sheath cable 	<ul style="list-style-type: none"> Armoured 	<ul style="list-style-type: none"> Brass Option: Nickel-plated 	
NEWCAP MS Page 56		<ul style="list-style-type: none"> Non-armoured round cable Flexible braided cable 	<ul style="list-style-type: none"> Non-armoured 	<ul style="list-style-type: none"> Nickel-plated brass Option: Stainless steel 	
NEWCAP MS MULTI-WIRED/ FLAT Page 57		<ul style="list-style-type: none"> Multi-wired cable Flat cable 	<ul style="list-style-type: none"> Non-armoured 	<ul style="list-style-type: none"> Nickel-plated brass 	

Selection guide for cable glands for non-hazardous areas

CABLE GLAND		CABLE TYPE	GLAND TYPE	STANDARD MATERIAL	CERTIFICATION
NEWCAP CT Page 58		<ul style="list-style-type: none"> Braided round cable EMC shielded cable 	<ul style="list-style-type: none"> Non-armoured 	<ul style="list-style-type: none"> Nickel-plated brass 	
ADE-4Fi Page 59		<ul style="list-style-type: none"> SWA SWB STA 	<ul style="list-style-type: none"> Armoured 	<ul style="list-style-type: none"> Nickel-plated brass 	
EUROCAP Page 60		<ul style="list-style-type: none"> Non-armoured round cable 	<ul style="list-style-type: none"> Non-armoured 	<ul style="list-style-type: none"> Nylon 	
ECP Page 61		<ul style="list-style-type: none"> Non-armoured round cable 	<ul style="list-style-type: none"> Non-armoured 	<ul style="list-style-type: none"> Nylon 	
UNICAP Page 62		<ul style="list-style-type: none"> Non-armoured round cable 	<ul style="list-style-type: none"> Non-armoured 	<ul style="list-style-type: none"> Nylon 	
TMC Page 63		<ul style="list-style-type: none"> Metal-clad (interlocked or continuously welded corrugated armoured) Tray cable 	<ul style="list-style-type: none"> Armoured 	<ul style="list-style-type: none"> Aluminum 	
TECK Page 64		<ul style="list-style-type: none"> TECK armoured 	<ul style="list-style-type: none"> Armoured 	<ul style="list-style-type: none"> Aluminum Option: Stainless steel Steel 	
CGD Page 65		<ul style="list-style-type: none"> Non-armoured 	<ul style="list-style-type: none"> Non-armoured 	<ul style="list-style-type: none"> Iron alloy/steel 	
CGB Page 66-67		<ul style="list-style-type: none"> Non-armoured Tray cable 	<ul style="list-style-type: none"> Non-armoured 	<ul style="list-style-type: none"> Iron alloy/steel (depending on form) Option: Aluminum 	
CGE Page 68		<ul style="list-style-type: none"> Non-armoured 	<ul style="list-style-type: none"> Non-armoured 	<ul style="list-style-type: none"> Iron alloy/steel 	

Capri ADE cable glands - specification features

Material specification

Metallic components

The Capri ADE range of cable glands are available in four different material types:

- Nickel-plated brass
- 316L stainless steel
- Aluminum
- Bronze

Nickel-plated brass

Nickel-plated brass is used extensively throughout the oil and gas and petrochemical industries because it provides superior protection against corrosion and contamination under severe conditions and in the most extreme environments over equivalent natural brass products.

All nickel-plated brass components, both external and internal, are designed specifically to allow for a nickel-plated coating between 5 to 7 microns that ensures the critical tolerances can be maintained. The design tolerance of the components and the quality control of the plating process ensure a uniform coating which protects against the possibility of chipping, flaking, and peeling under extreme conditions.

Seal material

The seal material of the ADE range has been carefully formulated to achieve the optimized performance across a wide range of operating temperature conditions.

- **Silicone** - for extended temperature performance



Operating temperature range

The ADE models are suitable for the following operating temperatures:

Silicone seals -60°C to +140°C

Barrier compound -60°C to +80°C

Refer to individual product data sheets for specifications.

For UL Marine refer to certification page 80-81.



Capri ADE cable glands - specification features

Cable clamping technology

Fig. 1 - External cable clamping

All ADE models are designed to accommodate an external clamping module which provides additional mechanical strength for strain relief.

Fig. 2 - Outer sheath cable sealing

All ADE models utilize a gland specific seal design (Fig.8), which, combined with the material formulation, ensures suitable sealing and ingress protection on the outer cable sheath.

Fig. 3 and 4 - Inner sheath cable sealing

The ADE-4F and ADE-5F utilize the same proven seal design as for the outer sheath (Fig.8), while the ADE-6F utilizes a diaphragm design seal to achieve the desired flame-path protection.

Fig. 5 and 6 - Universal clamping - armoured cable

The ADE-4F, ADE-5F and ADE-6F models all offer universal designs for all types of armoured cable. These include:

- Steel wire armoured (SWA) cable
- Steel tape armoured (STA) cable
- Steel wire braided (SWB) cable
- Braided marine shipboard cable
- Lead sheath armoured cable
- Type P cable

All designs achieve clamping and earth bonding of the armour for all armour types with no reversible components.

Fig. 7 - Lead sheath armour cable

The ADE-4F and ADE-5F ranges are suitable for lead sheath armoured cable with the addition of a simple washer.

Fig. 8 - Specially formulated elastomer seal

Ingress protection

IP rating

All ADE models incorporate an elastomeric dust cap to prevent dust and solid ingress prior to installation. IP66 protection is achieved through the thread to thread engagement. Additional protection up to IP68 can be achieved through the addition of a sealing washer or thread sealant. When the surface finish is not known, sealing washers are recommended to achieve IP64 / IP66 for metric threads. For blank hole fixing (excluding 'Exd' use), a qualified locknut and washer can be used to achieve IP64 / IP66. For NPT threads, IP64 / IP66 / IP68 are only obtained with threaded holes. HTL lubricant (page 35) may be necessary.

Deluge protection

All ADE models comply and are compliant with DTS-01 deluge certification.

The ADE-6F incorporates an additional deluge boot seal for enhanced deluge protection in marine / offshore environments.

An optional deluge seal is also available for larger sizes of the ADE-5F.

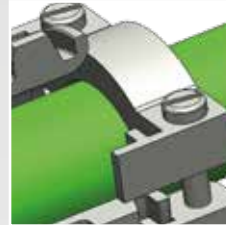


Fig.1

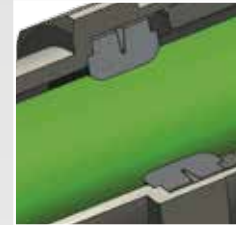


Fig.2

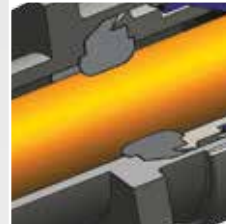


Fig.3

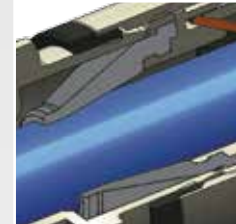


Fig.4

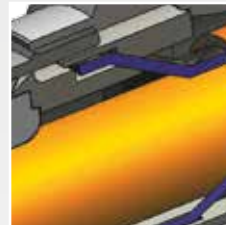


Fig.5

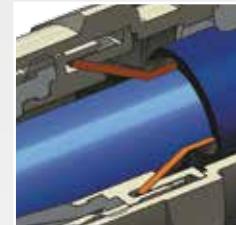


Fig.6



Fig.7



Fig.8

ADE-1F2 - for non-armoured cable

Technical specification



Suitable for the following cable types:

- Non-armoured cable
- Marine shipboard cable; Type P cable
- Tray cable

Provides 25% of cable clamping. As per IEC60079 § A.2.3.2 for group II or III cable glands, "without a clamping device, additional clamping of the cable is needed to ensure that pulling & twisting is not transmitted to the terminations". We recommend using the certified ADE clamping module (page 32).

Operating temperature:

-60°C to +140°C



Material:

Nickel-plated brass for superior corrosion resistance. 316L stainless steel, bronze and aluminum options available. It is recommended that a suitable lubricant is used on all threads of stainless steel and aluminum versions.

Ingress protection (IP):

IP66 / IP68 according to the method of attachment and the condition of the equipment area, see page 13.

Certifications and compliances:

ATEX certificate no: INERIS12ATEX0032X

Zones 1 and 2, Groups IIA, IIB and IIC
Zones 21 and 22 Groups IIIA, IIIB and IIIC

II2GD / Ex db IIC / Ex eb IIC / Ex tb IIIC

II3G Ex nRc IIC

IECEx certificate no: IECEx INE 12.0025X

Zones 1 and 2, Groups IIA, IIB and IIC
Zones 21 and 22, Groups IIIA, IIIB and IIC
Ex db IIC / Ex eb IIC / Ex nRc IIC / Ex tb IIIC

Other certificates:

CEPEL 05.0558X

CCoE P360379-1

KOSHA 2015.-BO-0249 to 0256

NANIO TC-RU C-FR.ГБ05.В.00858

NEPSI GYJ13.1082X

SABS MS/15-0314X

Shipping application:

ABS 14-HS1274083-PDA

BV 40910/A0 BV

DNV TAE000010X

Lloyds 11/00072

DTS-01:1991 compliant

UL certification:

3DJN E310130 ; Class I, Zone 1*, AEx e II

ADE sizes 3 to 8, 1/2" to 1 1/4" NPT or ISO 20 to 40 with TC-ER-HL non-armoured cable up to 1" diameter.

3DJN E310130 Class I Zone 2*, AEx e II, Ex e II

ADE sizes 3 to 17, NPT 1/2" to 4" or ISO 20 to 110 with non-armoured cable types ITC, MV, PLTC, TC-ER, TC-ER-HL, TC.

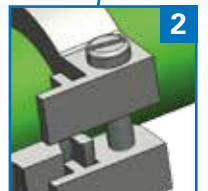
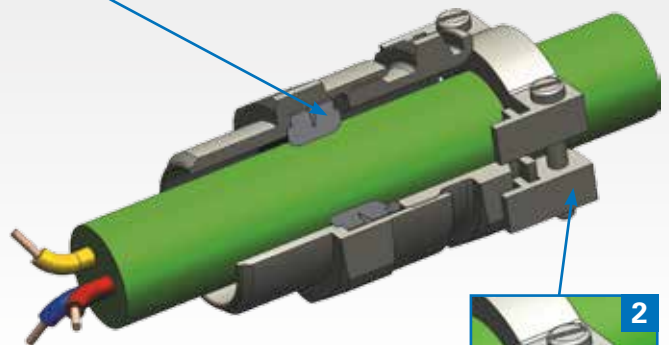
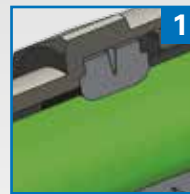
3LRC E314047 Class I Zone 2*, AEx e II, Ex e II

ADE sizes 3 to 17, NPT 1/2" to 4" or ISO 20 to 110 with non-armoured marine cable.

*Can be used in Div.2 provided that the enclosure contains no components that produce arcs or sparks.



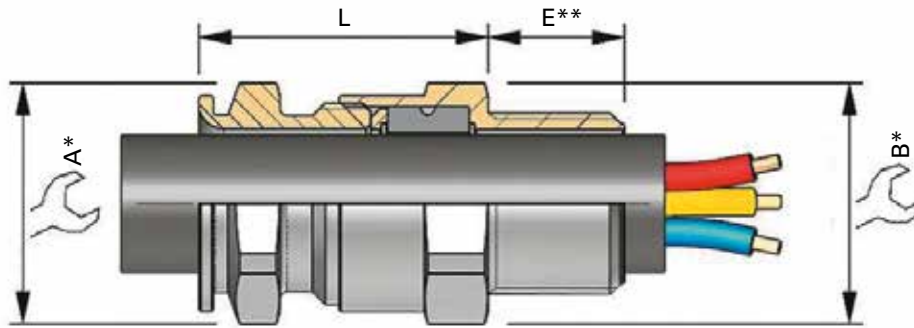
Features and benefits



- 1: Specifically formulated elastomer for IP sealing on outer sheath of cable.
- 2: Additional external cable clamping for strain relief (optional).

ADE-1F2 - order codes and dimensions

Dimensions



* For 'across corners' dimensions, multiply 'across flats' dimensions by 1.1

** For 'E' see thread dimension page 89

SERIES	THREAD SIZE	CABLE SEALING RANGE	MATERIAL	OPTION
ADE1	M25	3	NPN	

CODES	
K1	Accessories kit 1
K2	Accessories kit 2
K3	Accessories kit 3
BLANK	No option

KIT OPTIONS	
K1	Kit 1 contents: • Locknut • Green composite washer
K2	Kit 2 contents: • Locknut • Green composite washer • Earth tag • Shroud
K3	Kit 3 contents: • Locknut • Green composite washer • Earth tag • Serrated washer

MATERIAL	DESCRIPTION
NPN	Nickel-plated brass
SSN	Stainless steel
BZN	Bronze
ALN	Aluminum

0 = XS
1 = S
2 = M
3 = L

SELECTION TABLE						DIMENSIONS			ADE GLAND SIZE	CATALOG NUMBER ISO	CATALOG NUMBER NPT	
SERIES	THREAD SIZE	THREAD SIZE CODE	THREAD SIZE	THREAD SIZE CODE	CABLE SEALING RANGE	CABLE SEALING RANGE ISO/(NPT)		A				B
	ISO		NPT			OUTER SHEATH MIN - MAX						
ADE1	12*	M12	1/4**	N025	3	4.5 - 8.0	17	17	25.0	4	ADE1M123NPN	ADE1N0253NPN
ADE1	16*	M16	3/8**	N038	2	4.5 - 8.5	17	19	25.0	4	ADE1M162NPN	ADE1N0382NPN
ADE1	16*	M16	3/8**	N038	3	7.0 - 12.0	19	19	27.5	5	ADE1M163NPN	ADE1N0383NPN
ADE1	20	M20	1/2"	N050	0	2.8 - 5.5	15	24	24.0	3	ADE1M200NPN	ADE1N0500NPN
ADE1	20	M20	1/2"	N050	1	4.5 - 8.5	17	24	25.0	4	ADE1M201NPN	ADE1N0501NPN
ADE1	20	M20	1/2"	N050	2	7.0 - 12.0	19	24	27.5	5	ADE1M202NPN	ADE1N0502NPN
ADE1	20	M20	1/2"	N050	3	10.0 - 16.0 (15.5)	24	24	32.0	6	ADE1M203NPN	ADE1N0503NPN
ADE1	25	M25	3/4"	N075	1	7.0 - 12.0	19	30	27.5	5	ADE1M251NPN	ADE1N0751NPN
ADE1	25	M25	3/4"	N075	2	10.0 - 16.0	24	30	32.0	6	ADE1M252NPN	ADE1N0752NPN
ADE1	25	M25	3/4"	N075	3	13.5 - 20.5	30	30	36.5	7	ADE1M253NPN	ADE1N0753NPN
ADE1	32	M32	1"	N100	3	18.0 - 27.5 (26.0)	41	41	46.0	8	ADE1M323NPN	ADE1N1003NPN
ADE1	40	M40	1 1/4"	N125	2	18.0 - 27.5 (26.0)	48	48	50.0	8	ADE1M402NPN	ADE1N1252NPN
ADE1	40	M40	1 1/4"	N125	3	23.0 - 34.0	48	48	50.0	9	ADE1M403NPN	ADE1N1253NPN
ADE1	50	M50	1 1/2"	N150	1	29.0 - 41.0	55	55	52.0	10	ADE1M501NPN	ADE1N1501NPN
ADE1	50	M50	2"	N200	2	35.0 - 45.0 (48.0)	64	64	56.5	11	ADE1M502NPN	ADE1N2002NPN
ADE1	63	M63	2"	N200	3	42.0 - 56.0 (53.0)	72	72	60.0	12	ADE1M633NPN	ADE1N2003NPN
ADE1	75	M75	2 1/2"	N250	3	50.0 - 65.0 (62.5)	85	85	67.5	13	ADE1M753NPN	ADE1N2503NPN
ADE1	90	M90	3"	N300	2	58.0 - 74.0	95	95	69.0	14	ADE1M902NPN	ADE1N3002NPN
ADE1	90	M90	3"	N300	3	66.0 - 83.0 (78.0)	110	110	80.0	15	ADE1M903NPN	ADE1N3003NPN
ADE1	110	M110	3 1/2"	N350	2	75.0 - 93.0 (92.0)	120	120	80.0	16	ADE1M1102NPN	ADE1N3502NPN
ADE1	110	M110	4"	N400	3	85.0 - 104.0	135	135	90.0	17	ADE1M1103NPN	ADE1N4003NPN

* Not UL certified. All dimensions in mm. Above catalog numbers are for nickel-plated brass; refer to order code diagram for other options.
For Group I certification, see page 80.

ADE-1F2 DS double seal - for non-armoured cable

Technical specification



Suitable for the following cable types:

- Non-armoured cable
- Marine shipboard cable; Type P cable
- Tray cable

Double seal provides 100% of cable clamping

Operating temperature:

-60°C to +140°C



Material:

Nickel-plated brass for superior corrosion resistance. 316L stainless steel, bronze and aluminum options available. It is recommended that a suitable lubricant is used on all threads of stainless steel and aluminum versions.

Ingress protection (IP):

IP66 / IP68 according to the method of attachment and the condition of the equipment area, see page 13.

Certifications and compliances:

ATEX certificate no: INERIS12ATEX0032X

Zones 1 and 2, Groups IIA, IIB and IIC
Zones 21 and 22, Groups IIIA, IIIB and IIIC

II2GD / Ex db IIC / Ex eb IIC / Ex tb IIIC

II3G Ex nRc IIC

IM2 / Ex db I / Ex eb I ; For mining applications

Brass or bronze: ADE sizes 8 to 17; 1" to 4" NPT, ISO 32 to 110
Stainless steel: ADE sizes 8 to 17; 3/8" to 4" NPT, ISO 16 to 110

IECEx certificate no: IECEx INE 12.0025X

Zones 1 and 2, Groups IIA, IIB and IIC
Zones 21 and 22, Groups IIIA, IIIB and IIIC
Ex db IIC / Ex eb IIC / Ex nRc IIC / Ex tb IIIC

Ex db I / Ex eb I ; For mining applications

Brass or bronze: ADE sizes 8 to 17; 1" to 4" NPT, ISO 32 to 110
Stainless steel: ADE sizes 8 to 17; 1" to 4" NPT, ISO 32 to 110

Other certificates:

CEPEL 05.0558X

CCoE P360379-1

KOSHA 2015-BO-0249 to 0256

NANIO TC-RU C-FR.ГБ05.В.00858

NEPSI GYJ13.1082X

SABS MS/15-0314X

Shipping application:

ABS 14-HS1274083-PDA

BV 40910/A0 BV

DNV TAE000010X

Lloyds 11/00072

DTS-01:1991 compliant

UL certification:

3DJN E310130 ; Class I, Zone 1*, AEx e II

ADE sizes 3 to 8, 1/2" to 1 1/4" NPT or ISO 20 to 40 with TC-ER-HL non-armoured cable up to 1" diameter.

3DJN E310130 Class I Zone 2*, AEx e II, Ex e II

ADE sizes 3 to 17, NPT 1/2" to 4" or ISO 20 to 110 with non-armoured cable types ITC, MV, PLTC, TC-ER, TC-ER-HL, TC.

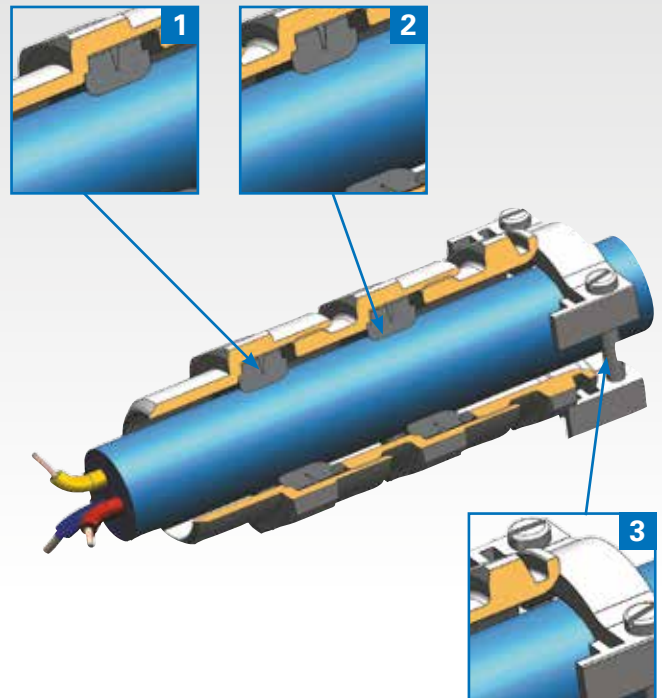
3LRC E314047 Class I Zone 2*, AEx e II, Ex e II

ADE sizes 3 to 17, NPT 1/2" to 4" or ISO 20 to 110 with non-armoured marine cable.

* Can be used in Div.2 provided that the enclosure contains no components that produce arcs or sparks.



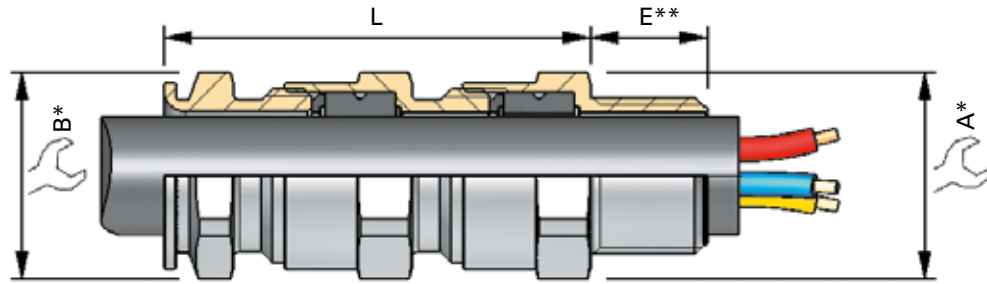
Features and benefits



- 1: Flameproof and sealing on outer sheath of the cable.
- 2: Environmental sealing and controlled pulling resistance on outer sheath of the cable.
- 3: Additional clamping for strain relief (optional).

ADE-1F2 DS - order codes and dimensions

Dimensions



* For 'across corners' dimensions, multiply across flats' dimensions by 1.1

** For 'E' see thread dimension page 89

SERIES	THREAD SIZE	CABLE SEALING RANGE	MATERIAL	OPTION
ADE2	M25	3	NPN	

CODES	
K1	Accessories kit 1
K2	Accessories kit 2
K3	Accessories kit 3
BLANK	No option

KIT OPTIONS	
K1	Kit 1 contents: • Locknut • Green composite washer
K2	Kit 2 contents: • Locknut • Green composite washer • Earth tag • Shroud
K3	Kit 3 contents: • Locknut • Green composite washer • Earth tag • Serrated washer

MATERIAL	DESCRIPTION
NPN	Nickel-plated brass
SSN	Stainless steel
BZN	Bronze
ALN	Aluminum (not Group I)

0 = XS
1 = S
2 = M
3 = L

SELECTION TABLE						DIMENSIONS			ADE GLAND SIZE	CATALOG NUMBER ISO	CATALOG NUMBER NPT		
SERIES	THREAD SIZE	THREAD SIZE CODE	THREAD SIZE	THREAD SIZE CODE	CABLE SEALING RANGE	CABLE SEALING RANGE ISO/(NPT)		A				B	L (LENGTH)
	ISO		NPT			OUTER SHEATH MIN - MAX							
ADE2	12	M12*	-	-	3	4.5 - 8.0		17	17	42	4	ADE2M123NPN	-
ADE2	16	M16*	-	-	2	4.5 - 8.5		17	19	42	4	ADE2M162NPN	-
ADE2	16	M16*	-	-	3	7.0 - 12.0		19	19	47	5	ADE2M163NPN	-
ADE2	20	M20	1/2"	N050	0	2.7 - 5.5		15	24	42	3	ADE2M200NPN	ADE2N0500NPN
ADE2	20	M20	1/2"	N050	1	4.5 - 8.5		17	24	42	4	ADE2M201NPN	ADE2N0501NPN
ADE2	20	M20	1/2"	N050	2	7.0 - 12.0		19	24	47	5	ADE2M202NPN	ADE2N0502NPN
ADE2	20	M20	1/2"	N050	3	10.0 - 16.0 (15.5)		24	24	54	6	ADE2M203NPN	ADE2N0503NPN
ADE2	25	M25	3/4"	N075	1	7.0 - 12.0		19	30	47	5	ADE2M251NPN	ADE2N0751NPN
ADE2	25	M25	3/4"	N075	2	10.0 - 16.0		24	30	54	6	ADE2M252NPN	ADE2N0752NPN
ADE2	25	M25	3/4"	N075	3	13.5 - 20.5		30	30	63	7	ADE2M253NPN	ADE2N0753NPN
ADE2	32	M32	1"	N100	3	18.0 - 27.5 (26.0)		41	41	79	8	ADE2M323NPN	ADE2N1003NPN
ADE2	40	M40	1 1/4"	N125	3	23.0 - 34.0		48	48	86	9	ADE2M403NPN	ADE2N1253NPN
ADE2	50	M50	1 1/2"	N150	2	29.0 - 41.0		55	55	90	10	ADE2M502NPN	ADE2N1502NPN
ADE2	-	-	2"	N200	2	35.0 - 48.0		64	64	90	11	-	ADE2N2002NPN
ADE2	50	M50	-	-	3	35.0 - 45.0		64	64	99	11	ADE2M503NPN	-
ADE2	63	M63	2"	N200	3	42.0 - 56.0 (53.0)		72	72	106	12	ADE2M633NPN	ADE2N2003NPN
ADE2	75	M75	2 1/2"	N250	3	50.0 - 65.0 (62.5)		85	85	119	13	ADE2M753NPN	ADE2N2503NPN
ADE2	90	M90	3"	N300	2	58.0 - 74.0		95	95	123	14	ADE2M902NPN	ADE2N3002NPN
ADE2	90	M90	3"	N300	3	66.0 - 83.0 (78.0)		110	110	139	15	ADE2M903NPN	ADE2N3003NPN
ADE2	110	M110	3 1/2"	N350	2	75.0 - 93.0 (92.0)		120	120	139	16	ADE2M1102NPN	ADE2N3502NPN
ADE2	110	M110	4"	N400	3	85.0 - 104.0		135	135	156	17	ADE2M1103NPN	ADE2N4003NPN

* Not UL certified. All dimensions in mm. Above catalog numbers are for nickel-plated brass; refer to order code diagram for other options.

For Group I certification, see page 80.

ADE-1F2 A with integral clamping module - for non-armoured cable

Technical specification



Suitable for the following cable types:

- Non-armoured cable
- Marine shipboard cable; Type P cable
- Tray cable

Integral clamping module provides 100% of cable clamping

Operating temperature:

-60°C to +140°C



Material:

Nickel-plated brass for superior corrosion resistance. 316L stainless steel, bronze and aluminum options available. It is recommended that a suitable lubricant is used on all threads of stainless steel and aluminum versions.

Ingress protection (IP):

IP66 / IP68 according to the method of attachment and the condition of the equipment area, see page 13.

Certifications and compliances:

ATEX certificate no: INERIS12ATEX0032X

Zones 1 and 2, Groups IIA, IIB and IIC
Zones 21 and 22, Groups IIIA, IIIB and IIIC

II2GD / Ex db IIC / Ex eb IIC / Ex tb IIIC

II3G Ex nRc IIC

IM2 / Ex db I / Ex eb I ; For mining applications

Brass or bronze: ADE sizes 8 to 17; 1" to 4" NPT, ISO 32 to 110
Stainless steel: ADE sizes 8 to 17; 3/8" to 4" NPT, ISO 16 to 110

IECEX certificate no: IECEX INE 12.0025X

Zones 1 and 2, Groups IIA, IIB and IIC
Zones 21 and 22, Groups IIIA, IIIB and IIIC
Ex db IIC / Ex eb IIC / Ex nRc IIC / Ex tb IIIC

Ex db I / Ex eb I ; For mining applications

Brass or bronze: ADE sizes 8 to 17; 1" to 4" NPT, ISO 32 to 110
Stainless steel: ADE sizes 8 to 17; 1" to 4" NPT, ISO 32 to 110

Other certificates:

CEPEL 05.0558X

CCoE P360379-1

KOSHA 2015-BO-0249 to 0256

NANIO TC-RU C-FR.F605.B.00858

NEPSI GYJ13.1082X

SABS MS/15-0314X

Shipping application:

ABS 14-HS1274083-PDA

BV 40910/A0 BV

DNV TAE000010X

Lloyds 11/00072

DTS-01:1991 compliant

UL certification:

3DJN E310130 ; Class I, Zone 1*, AEx e II

ADE sizes 3 to 8, 1/2" to 1 1/4" NPT or ISO 20 to 40 with TC-ER-HL non-armoured cable up to 1" diameter.

3DJN E310130 Class I Zone 2*, AEx e II, Ex e II

ADE sizes 3 to 17, NPT 1/2" to 4" or ISO 20 to 110 with non-armoured cable types ITC, MV, PLTC, TC-ER, TC-ER-HL, TC.

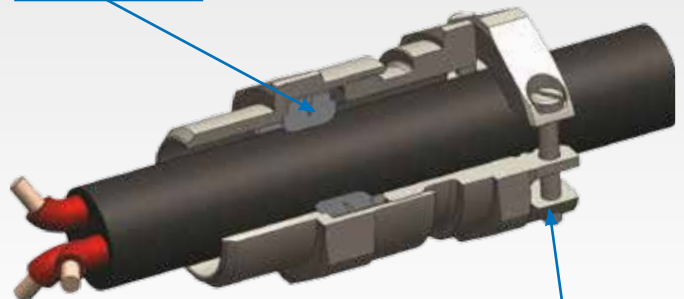
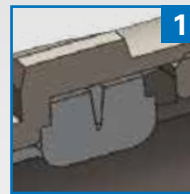
3LRC E314047 Class I Zone 2*, AEx e II, Ex e II

ADE sizes 3 to 17, NPT 1/2" to 4" or ISO 20 to 110 with non-armoured marine cable.

*Can be used in Div.2 provided that the enclosure contains no components that produce arcs or sparks.



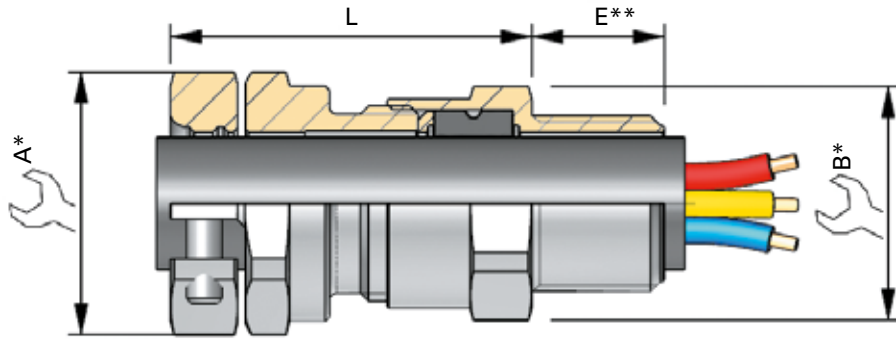
Features and benefits



- 1: Specifically formulated elastomer for IP sealing on outer sheath of cable.
- 2: Integrated external cable clamping for strain relief.

ADE-1F2 A with integral clamping module - order codes and dimensions

Dimensions



* For 'across corners' dimensions, multiply across flats' dimensions by 1.1

** For 'E' see thread dimension page 89

SERIES	THREAD SIZE	CABLE SEALING RANGE	MATERIAL	OPTION	CODES		KIT OPTIONS	
ADE1A	M25	3	NPN		K1	Accessories kit 1	K1	Kit 1 contents:
					K2	Accessories kit 2		• Locknut
					K3	Accessories kit 3		• Green composite washer
					BLANK	No option		Kit 2 contents:
							K2	• Locknut
								• Green composite washer
								• Earth tag
								• Shroud
							K3	Kit 3 contents:
					NPN	Nickel-plated brass		• Locknut
					SSN	Stainless steel		• Green composite washer
					BZN	Bronze		• Earth tag
					ALN	Aluminum (not Group I)		• Serrated washer

0 = XS
1 = S
2 = M
3 = L

SELECTION TABLE						DIMENSIONS				ADE GLAND SIZE	CATALOG NUMBER ISO	CATALOG NUMBER NPT	
SERIES	THREAD SIZE	THREAD SIZE CODE	THREAD SIZE	THREAD SIZE CODE	CABLE SEALING RANGE	CABLE SEALING RANGE ISO/(NPT)		A	B				L (LENGTH)
						OUTER SHEATH MIN - MAX							
ADE1A	16*	M16	-	-	2	4.5 - 8.5		20	19	32,0	4	ADE1AM162NPN	-
ADE1A	16*	M16	-	-	3	7.0 - 12.0		24	19	35,0	5	ADE1AM163NPN	-
ADE1A	20	M20	1/2"	N050	0	2.8 - 5.5		15	24	28,0	3	ADE1AM200NPN	ADE1AN0500NPN
ADE1A	20	M20	1/2"	N050	1	4.5 - 8.5		20	24	32,0	4	ADE1AM201NPN	ADE1AN0501NPN
ADE1A	20	M20	1/2"	N050	2	7.0 - 12.0		24	24	35,0	5	ADE1AM202NPN	ADE1AN0502NPN
ADE1A	20	M20	1/2"	N050	3	10.0 - 16.0 (15.5)		27	24	40,0	6	ADE1AM203NPN	ADE1AN0503NPN
ADE1A	25	M25	3/4"	N075	1	7.0 - 12.0		24	30	40,0	5	ADE1AM251NPN	ADE1AN0751NPN
ADE1A	25	M25	3/4"	N075	2	10.0 - 16.0		27	30	40,0	6	ADE1AM252NPN	ADE1AN0752NPN
ADE1A	25	M25	3/4"	N075	3	13.5 - 20.5		32	30	45,0	7	ADE1AM253NPN	ADE1AN0753NPN
ADE1A	32	M32	1"	N100	3	18.0 - 27.5 (26.0)		41	41	55,0	8	ADE1AM323NPN	ADE1AN1003NPN
ADE1A	40	M40	-	-	3	23.0 - 34.0		48	48	59,0	9	ADE1AM403NPN	-




* Not UL certified. All dimensions in mm. Above catalog numbers are for nickel-plated brass; refer to order code diagram for other options.

For Group I certification, see page 80.

Technical specification



Suitable for the following cable types:

-  Non-armoured cable
-  Marine shipboard cable; Type P cable
-  Tray cable

Provides 25% of cable clamping. As per IEC60079 § A.2.3.2 for group II or III cable glands, "without a clamping device, additional clamping of the cable is needed to ensure that pulling & twisting is not transmitted to the terminations". We recommend using the certified ADE clamping module (page 32).

Operating temperature:

-60°C to +140°C

Material:

Nickel-plated brass for superior corrosion resistance. 316L stainless steel option available. It is recommended that a suitable lubricant is used on all threads of stainless steel and aluminum versions.


Ingress protection (IP):

IP66 / IP68 according to the method of attachment and the condition of the equipment area, see page 13.

Certifications and compliances:

ATEX certificate no: INERIS12ATEX0032X

Zones 1 and 2, Groups IIA, IIB and IIC
Zones 21 and 22, Groups IIIA, IIIB and IIIC

 II2GD / Ex db IIC / Ex eb IIC / Ex tb IIIC

 II3G Ex nRc IIC

IECEx certificate no: IECEx INE 12.0025X

Zones 1 and 2, Groups IIA, IIB and IIC
Zones 21 and 22, Groups IIIA, IIIB and IIIC
Ex db IIC / Ex eb IIC / Ex nRc IIC / Ex tb IIIC

Other certificates:

CEPEL 05.0558X

CCoE P360379-1

KOSHA 2015-BO-0249 to 0256

NANIO TC-RU C-FR.ГБ05.В.00858

NEPSI GYJ13.1082X

SABS MS/15-0314X

Shipping application:

ABS 14-HS1274083-PDA

BV 40910/A0 BV

DNV TAE000010X

Lloyds 11/00072

DTS-01:1991 compliant

UL certification:

 **3DJN E310130 ; Class I, Zone 1*, AEx e II**

ADE sizes 3 to 8, ISO 20 to 40 with TC-ER-HL non-armoured cable up to 1" diameter.

 **3DJN E310130 Class I Zone 2*, AEx e II, Ex e II**

ADE sizes 3 to 17, ISO 20 to 110 with non-armoured cable types ITC, MV, PLTC, TC-ER, TC-ER-HL, TC.

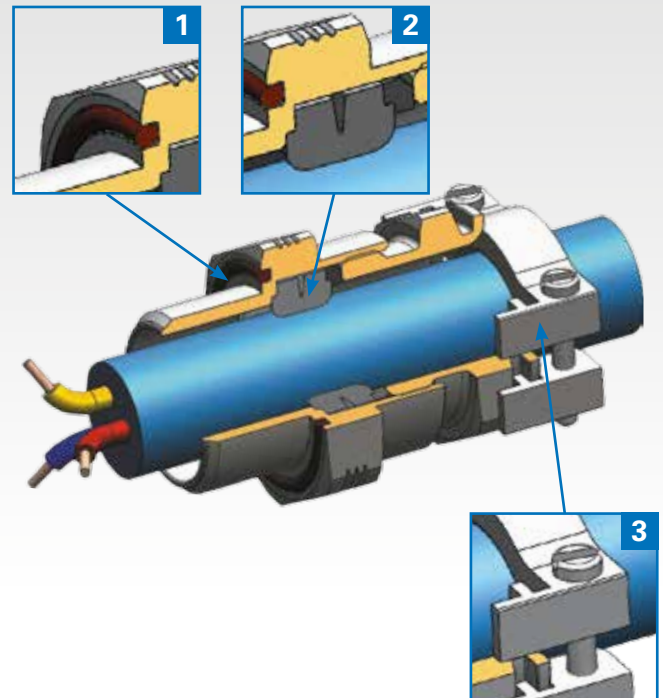
 **3LRC E314047 Class I Zone 2*, AEx e II, Ex e II**

ADE sizes 3 to 17, ISO 20 to 110 with non-armoured marine cable.

*Can be used in Div.2 provided that the enclosure contains no components that produce arcs or sparks.



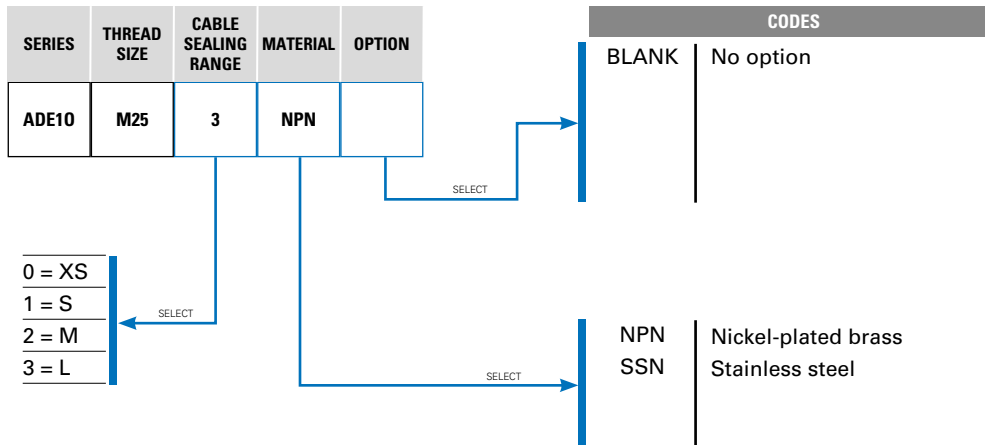
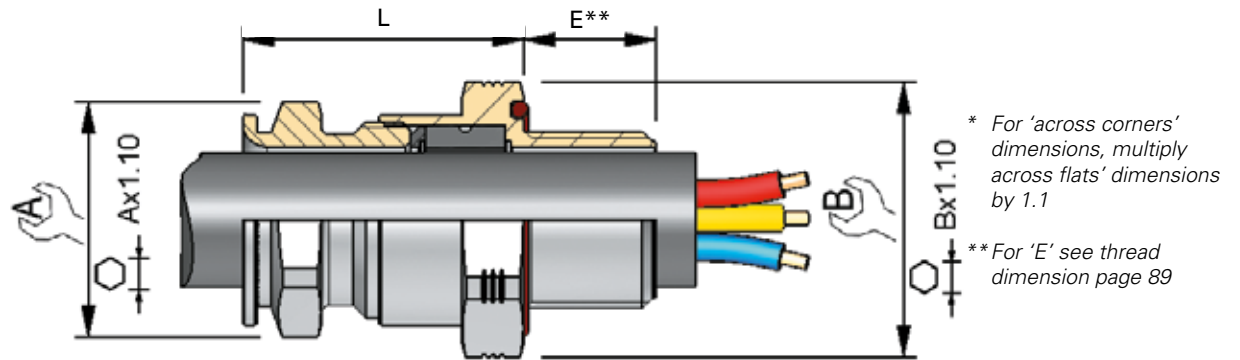
Features and benefits



- 1:** Integrated O-ring eliminates need for externally fitted sealing washer.
- 2:** Specifically formulated elastomer for IP sealing on outer sheath of cable.
- 3:** Additional external cable clamping for strain relief (optional).



Dimensions



SELECTION TABLE				DIMENSIONS			ADE GLAND SIZE	CATALOG NUMBER ISO		
SERIES	THREAD SIZE	THREAD SIZE CODE	CABLE SEALING RANGE	CABLE SEALING RANGE ISO		L (LENGTH)				
				OUTER SHEATH MIN - MAX			A	B		
ADE10	20	M20	0	2.8 - 5.5		15	28	39.0	3	ADE10M200NPN
ADE10	20	M20	1	4.5 - 8.5		17	28	40.0	4	ADE10M201NPN
ADE10	20	M20	2	7.0 - 12.0		19	28	40.0	5	ADE10M202NPN
ADE10	20	M20	3	10.0 - 16.0		24	28	47.0	6	ADE10M203NPN
ADE10	25	M25	1	7.0 - 12.0		19	34	42.5	5	ADE10M251NPN
ADE10	25	M25	2	10.0 - 16.0		24	34	47.0	6	ADE10M252NPN
ADE10	25	M25	3	13.5 - 20.5		30	34	51.5	7	ADE10M253NPN
ADE10	32	M32	2	13.5 - 21.0		30	41	61.0	7	ADE10M322NPN
ADE10	32	M32	3	18.0 - 27.5		41	41	61.0	8	ADE10M323NPN
ADE10	40	M40	2	18.0 - 27.5		41	48	65.0	8	ADE10M402NPN
ADE10	40	M40	3	23.0 - 34.0		48	48	65.0	9	ADE10M403NPN
ADE10	50	M50	0	23.0 - 34.0		48	58	68.0	9	ADE10M500NPN
ADE10	50	M50	1	29.0 - 41.0		55	58	68.0	10	ADE10M501NPN
ADE10	50	M50	2	35.0 - 45.0		64	64	72.5	11	ADE10M502NPN
ADE10	63	M63	2	35.0 - 45.0		64	72	77.0	11	ADE10M632NPN
ADE10	63	M63	3	42.0 - 56.0		72	72	77.0	12	ADE10M633NPN

All dimensions in mm. Above catalog numbers are for nickel-plated brass; refer to order code diagram for other options.

ADE-1FC - for non-armoured cable

Technical specification



Suitable for the following cable types:

- Non-armoured cable
- Marine shipboard cable; Type P cable
- Tray cable

Sealing ring and TSC compound provides 100% of cable clamping

Operating temperature:

For all certificates, excluding UL E324850: -60°C to +80°C
For UL certificate E324850: -20°C to +40°C

Material:

Nickel-plated brass for superior corrosion resistance. 316L stainless steel, bronze and aluminum options available. It is recommended that a suitable lubricant is used on all threads of stainless steel and aluminum versions.

Ingress protection (IP):

IP66 / IP68 according to the method of attachment and the condition of the equipment area, see page 13.
Equipped with a 'deluge' seal.

Certifications and compliances:

ATEX certificate no: INERIS12ATEX0032X

Zones 1 and 2, Groups IIA, IIB and IIC
Zones 21 and 22, Groups IIIA, IIIB and IIIC

II2GD / Ex db IIC / Ex eb IIC / Ex tb IIIC

II3G Ex nRc IIC

IM2 / Ex db I / Ex eb I ; For mining applications

Brass, stainless steel or bronze: ADE sizes 11 to 16; 2" to 4" NPT, ISO 63 to 110

IECEx certificate no: IECEx INE 12.0025X

Zones 1 and 2, Groups IIA, IIB and IIC
Zones 21 and 22, Groups IIIA, IIIB and IIIC
Ex db IIC / Ex eb IIC / Ex nRc IIC / Ex tb IIIC

Ex db I / Ex eb I ; For mining applications

Brass, stainless steel or bronze ADE sizes 11 to 16; 2" to 4" NPT, ISO 63 to 110

Other certificates:

CEPEL 05.0558X

CCoE P360379-1

KOSHA 2015-BO-0479 to 0482

NANIO TC-RU C-FR.ГБ05.В.00858

NEPSI GYJ13.1082X

SABS MS/15-0314X

Shipping application:

ABS 14-HS1274083-PDA

BV 40910/A0 BV

DNV TAE000010X

Lloyds 11/00072

DTS-01:1991 compliant

UL certification:



3DJN E310130 Class I Zone 2*, AEx de II, Ex de II

ADE sizes 4 to 16, NPT 1/2" to 4" or ISO 20 to 110 with non-armoured cable types ITC, MV, PLTC, TC-ER, TC-ER-HL, TC and TSC epoxy sealing compound.



3DJN E310130 Class I Division 1, Groups A, B, C and D

ADE sizes 4 to 9, NPT 1/2" to 1 1/4" or ISO 20 to 40 with non-armoured cable type TC-ER-HL and TSC epoxy sealing compound.

ADE sizes 4 to 16, NPT 1/2" to 4" or ISO 20 to 110 with non-armoured cable type ITC-HL and TSC epoxy sealing compound.



3DJN E310130 Class I Division 2, Groups A, B, C and D

ADE sizes 4 to 16, NPT 1/2" to 4" or ISO 20 to 110 with non-armoured cable types PLTC, PLTC-ER, ITC, ITC-ER, ITC-HL, TC, TC-ER, TC-ER-HL, MV and TSC epoxy sealing compound.

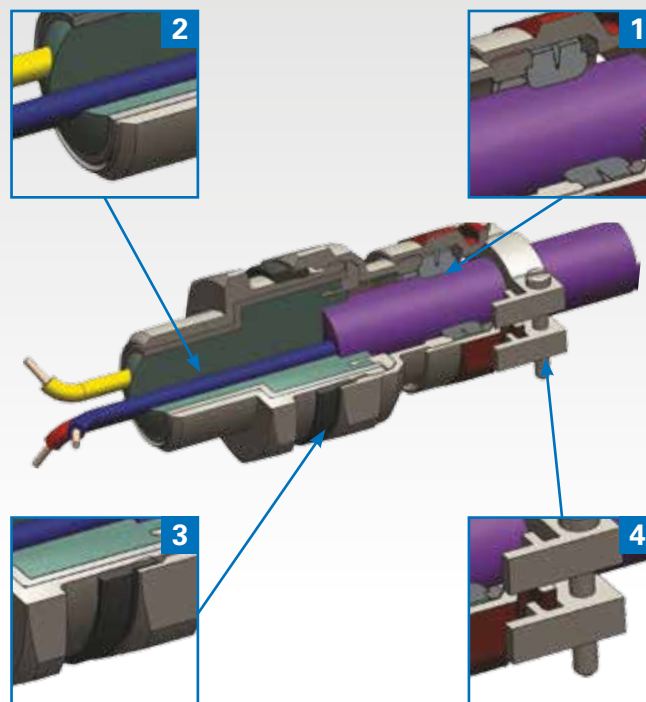


4EC5 E324850 Class I Division 2, Groups A, B, C and D

ADE sizes 4 to 16, NPT 1/2" to 4" or ISO 20 to 110 with non-armoured marine cable and TSC epoxy sealing compound.



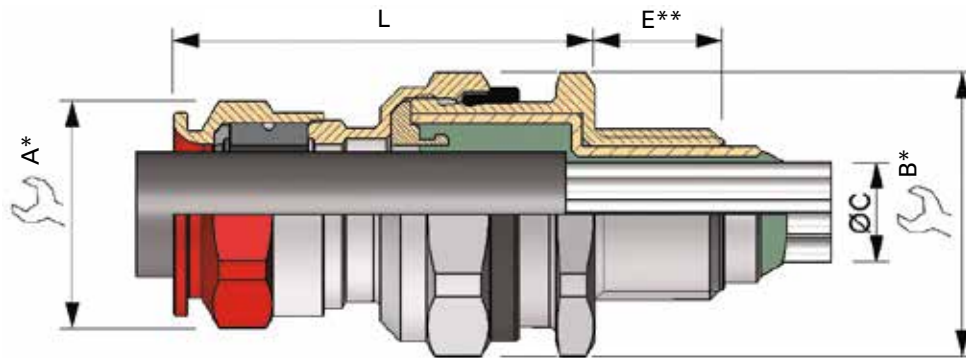
Features and benefits



- 1: Specifically formulated elastomer for IP sealing on outer sheath of cable.
- 2: Sealing of cable conductors with compound barrier seal.
- 3: Deluge seal provides enhanced ingress protection.
- 4: Additional external cable clamping for strain relief (optional).

ADE-1FC - order codes and dimensions

Dimensions



* For 'across corners' dimensions, multiply 'across flats' dimensions by 1.1

** For 'E' see thread dimension page 89

SERIES	THREAD SIZE	CABLE SEALING RANGE	MATERIAL	BARRIER	OPTION	CODES	KIT OPTIONS
ADE1C	M25	3	NP	SCN		K1 Accessories kit 1 K2 Accessories kit 2 K3 Accessories kit 3 BLANK No option	K1 Kit 1 contents: • Locknut • Green composite washer Kit 2 contents: • Locknut • Green composite washer • Earth tag • Shroud Kit 3 contents: • Locknut • Green composite washer • Earth tag • Serrated washer

0 = XS
1 = S
2 = M
3 = L

SELECTION TABLE						DIMENSIONS						ADE GLAND SIZE	CATALOG NUMBER ISO	CATALOG NUMBER NPT
SERIES	THREAD SIZE	THREAD SIZE CODE	THREAD SIZE	THREAD SIZE CODE	CABLE SEALING RANGE	CABLE SEALING RANGE MIN - MAX	CORES		A	B	L (LENGTH)			
							C = Ø MAX OVER CORES	MAX NO. OF CORES						
ADE1C	16*	M16	3/8**	N038	3	4.0 - 8.5	6.5	6	15	19	36.0	4	ADE1CM163NPSCN	ADE1CN0383NPSCN
ADE1C	20	M20	1/2"	N050	1	4.0 - 8.5	6.5	6	15	24	36.0	4	ADE1CM201NPSCN	ADE1CN0501NPSCN
ADE1C	20	M20	1/2"	N050	2	6.0 - 12.0	9.5	6	19	24	42.0	5	ADE1CM202NPSCN	ADE1CN0502NPSCN
ADE1C	20	M20	1/2"	N050	3	8.5 - 16.0	12.0	10	24	30	48.0	6	ADE1CM203NPSCN	ADE1CN0503NPSCN
ADE1C	25	M25	3/4"	N075	2	8.5 - 16.0	12.0	10	24	30	48.0	6	ADE1CM252NPSCN	ADE1CN0752NPSCN
ADE1C	25	M25	3/4"	N075	3	12.0 - 21.0	17.0	21	30	41	58.0	7	ADE1CM253NPSCN	ADE1CN0753NPSCN
ADE1C	32	M32	1"	N100	2	12.0 - 21.0	17.0	21	30	41	58.0	7	ADE1CM322NPSCN	ADE1CN1002NPSCN
ADE1C	32	M32	1"	N100	3	16.0 - 27.5	23.0	42	41	48	70.0	8	ADE1CM323NPSCN	ADE1CN1003NPSCN
ADE1C	40	M40	1 1/4"	N125	2	16.0 - 27.5	23.0	42	41	48	70.0	8	ADE1CM402NPSCN	ADE1CN1252NPSCN
ADE1C	40	M40	1 1/4"	N125	3	21.0 - 34.0	29.0	60	48	55	79.0	9	ADE1CM403NPSCN	ADE1CN1253NPSCN
ADE1C	50	M50	1 1/2"	N150	2	21.0 - 34.0	29.0	60	48	55	79.0	9	ADE1CM502NPSCN	ADE1CN1502NPSCN
ADE1C	50	M50	2"	N200	1	27.0 - 41.0	36.5	80	55	64	88.0	10	ADE1CM501NPSCN	ADE1CN2001NPSCN
ADE1C	63	M63	2"	N200	2	33.0 - 48.0	43.0	100	64	72	98.0	11	ADE1CM632NPSCN	ADE1CN2002NPSCN
ADE1C	63	M63	2"	N200	3	40.0 - 56.0	50.0	100	72	85	103.0	12	ADE1CM633NPSCN	ADE1CN2003NPSCN
ADE1C	-	-	2 1/2"	N250	2	40.0 - 56.0	50.0	100	72	85	103.0	12	-	ADE1CN2502NPSCN
ADE1C	75	M75	2 1/2"	N250	3	46.0 - 65.0	59.0	120	85	95	111.0	13	ADE1CM753NPSCN	ADE1CN2503NPSCN
ADE1C	-	-	3"	N300	1	46.0 - 65.0	59.0	120	85	95	111.0	13	-	ADE1CN3001NPSCN
ADE1C	90	M90	3"	N300	2	54.0 - 74.0	66.0	140	95	110	120.0	14	ADE1CM902NPSCN	ADE1CN3002NPSCN
ADE1C	-	-	3 1/2"	N350	2	54.0 - 74.0	66.0	140	95	110	120.0	14	-	ADE1CN3502NPSCN
ADE1C	90	M90	3"	N300	3	63.0 - 83.0	75.0	140	110	120	125.0	15	ADE1CM903NPSCN	ADE1CN3003NPSCN
ADE1C	-	-	3 1/2"	N350	3	63.0 - 83.0	75.0	140	110	120	125.0	15	-	ADE1CN3503NPSCN
ADE1C	110	M110	4"	N400	3	72.0 - 93.0	85.0	200	120	135	128.0	16	ADE1CM1103NPSCN	ADE1CN4003NPSCN

* Not UL certified. All dimensions in mm. Above catalog numbers are for nickel-plated brass; refer to order code diagram for other options.

For Group I certification, see page 80

ADE-4F - for armoured cable

Technical specification



Suitable for the following cable types:

- Steel wire armoured cable (SWA)
- Steel wire braided cable (SWB)
- Steel tape armoured cable (STA)
- Braided marine shipboard cable; Type P cable
- Lead sheathed cable (with addition of earthing washer)

Double seal provides 100% of cable clamping, including braided cables.

Operating temperature:

-60°C to +140°C



Material:

Nickel-plated brass for superior corrosion resistance. 316L stainless steel, bronze and aluminum options available. It is recommended that a suitable lubricant is used on all threads of stainless steel and aluminum versions.

Ingress protection (IP):

IP66 / IP68 according to the method of attachment and the condition of the equipment area, see page 13.

Certifications and compliances:

ATEX certificate no: INERIS12ATEX0032X

Zones 1 and 2, Groups IIA, IIB and IIC
 Zones 21 and 22, Groups IIIA, IIIB and IIIC
 II2GD / Ex db IIC / Ex eb IIC / Ex tb IIC
 II3G Ex nRc IIC

IM2 / Ex db I / Ex eb I ; For mining applications

Brass or bronze: ADE sizes 8 to 17; 3/4" to 4" NPT, ISO 25 to 110
 stainless steel: ADE sizes 4 to 17; 3/8" to 4" NPT, ISO 16 to 110

IECEX certificate no: IECEX INE 12.0025X

Zones 1 and 2, Groups IIA, IIB and IIC
 Zones 21 and 22, Groups IIIA, IIIB and IIIC
 Ex db IIC / Ex eb IIC / Ex nRc IIC / Ex tb IIIC

Ex db I / Ex eb I ; For mining applications

Brass or bronze: ADE sizes 8 to 17; 3/4" to 4" NPT, ISO 25 to 110
 stainless steel: ADE sizes 4 to 17; 3/8" to 4" NPT, ISO 16 to 110

Other certificates:

CEPEL 05.0559X
CCoE P360379-1
KOSHA 2015-BO-0245 to 0248
NANIO TC-RU C-FR.ГБ05.В.00858
NEPSI GYJ13.1082X
SABS MS/15-0314X

Shipping application:

ABS 14-HS1274083-PDA
BV 40910/A0 BV
DNV TAE000010X
Lloyds 11/00072
DTS-01:1991 compliant

UL certification:

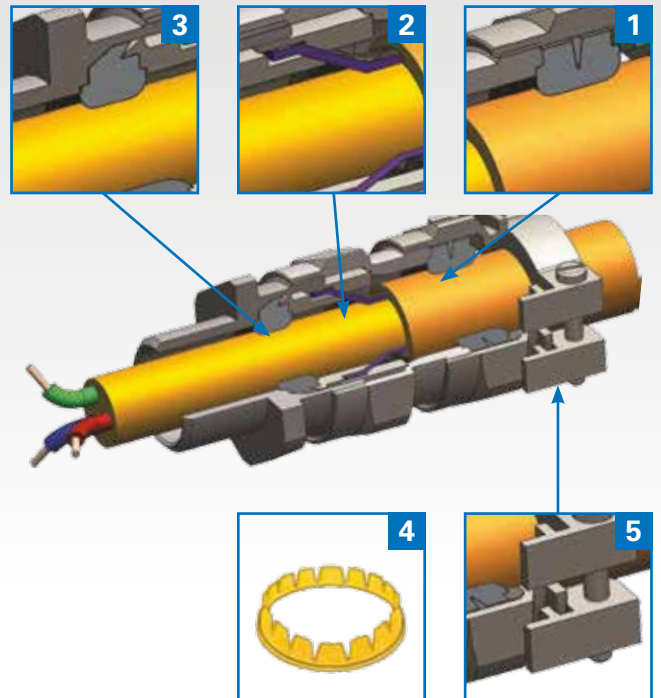
3DJN E310130 Class I Zone 2*, AEx e II, Ex e II
 ADE sizes 4 to 17, NPT 1/2" to 4" or ISO 20 to 110 with armoured cable types ITC, MV, PLTC, TC-ER, TC-ER-HL, TC.

3LRC E314047 Class I Zone 2*, AEx e II, Ex e II
 ADE sizes 4 to 17, NPT 1/2" to 4" or ISO 20 to 110 with armoured marine cable.

* Can be used in Div.2 provided that the enclosure contains no components that produce arcs or sparks.



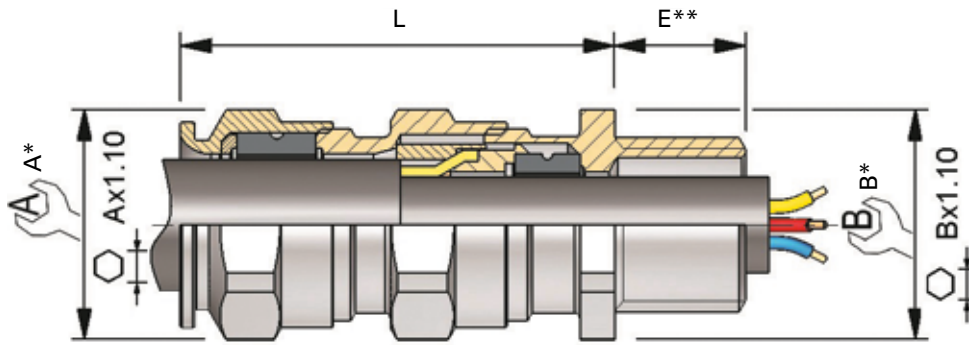
Features and benefits



- 1: Specifically formulated elastomer for IP sealing on outer sheath of cable.
- 2: Universal clamping design for earthing and bonding of armour shield. Provides mechanical strength and is suitable for all armour shield types, with no requirement to reverse components that may introduce risk of incorrect installation.
- 3: Specifically formulated elastomer for flame path sealing on inner sheath of the cable.
- 4: Suitable for lead sheath cable with installation of simple washer.
- 5: Additional external cable clamping for strain relief (optional).

ADE-4F - order codes and dimensions

Dimensions



* For 'across corners' dimensions, multiply 'across flats' dimensions by 1.1

** For 'E' see thread dimension page 89

SERIES	THREAD SIZE	CABLE SEALING RANGE	MATERIAL	OPTION	CODES		KIT OPTIONS	
ADE4	M25	3	NPN		K1	Accessories kit 1	K1	Kit 1 contents:
					K2	Accessories kit 2		• Locknut
					K3	Accessories kit 3		• Green composite washer
					BLANK	No option		Kit 2 contents:
							K2	• Locknut
								• Green composite washer
								• Earth tag
								• Shroud
							K3	Kit 3 contents:
					NPN	Nickel-plated brass		• Locknut
					SSN	Stainless steel		• Green composite washer
					BZN	Bronze		• Earth tag
					ALN	Aluminum (not Group I)		• Serrated washer

0 = XS
1 = S
2 = M
3 = L

SELECTION TABLE						DIMENSIONS						ADE GLAND SIZE	CATALOG NUMBER ISO	CATALOG NUMBER NPT	
SERIES	THREAD SIZE	THREAD SIZE CODE	THREAD SIZE	THREAD SIZE CODE	CABLE SEALING RANGE	CABLE SEALING RANGE		ARMOUR MIN - MAX	A	B	L (LENGTH)				
	ISO		NPT			INNER SHEATH MIN - MAX	OUTER SHEATH MIN - MAX								
ADE4	12*	M12	1/4**	N025	3	4.5 - 8.0	7.0 - 12.0	0.2 - 0.9	19	19	46.0	5	ADE4M123NPN	ADE4N0253NPN	
ADE4	16*	M16	3/8**	N038	1	2.8 - 5.5	4.5 - 8.5	0.2 - 0.9	17	19	41.0	4	ADE4M161NPN	ADE4N0381NPN	
ADE4	16*	M16	3/8**	N038	2	4.5 - 8.0	7.0 - 12.0	0.2 - 0.9	19	19	46.0	5	ADE4M162NPN	ADE4N0382NPN	
ADE4	16*	M16	3/8**	N038	3	7.0 - 12.0	10.0 - 16.0	0.2 - 1.3	24	24	51.0	6	ADE4M163NPN	ADE4N0383NPN	
ADE4	20	M20	1/2"	N050	0	2.8 - 5.5	4.5 - 8.5	0.2 - 0.9	17	24	41.0	4	ADE4M200NPN	ADE4N0500NPN	
ADE4	20	M20	1/2"	N050	1	4.5 - 8.0	7.0 - 12.0	0.2 - 0.9	19	24	46.0	5	ADE4M201NPN	ADE4N0501NPN	
ADE4	20	M20	1/2"	N050	2	7.0 - 12.0	10.0 - 16.0	0.2 - 1.3	24	24	51.0	6	ADE4M202NPN	ADE4N0502NPN	
ADE4	20	M20	1/2"	N050	3	10.0 - 15.5	13.5 - 21.0	0.2 - 1.3	30	30	57.5	7	ADE4M203NPN	ADE4N0503NPN	
ADE4	25	M25	3/4"	N075	1	7.0 - 12.0	10.0 - 16.0	0.2 - 1.3	24	30	51.0	6	ADE4M251NPN	ADE4N0751NPN	
ADE4	25	M25	3/4"	N075	2	10.0 - 15.5	13.5 - 21.0	0.2 - 1.3	30	30	57.5	7	ADE4M252NPN	ADE4N0752NPN	
ADE4	25	M25	3/4"	N075	3	13.5 - 20.5	18.0 - 27.5	0.2 - 1.6	41	41	68.0	8	ADE4M253NPN	ADE4N0753NPN	
ADE4	32	M32	1"	N100	2	13.5 - 21.0	18.0 - 27.5	0.2 - 1.6	41	41	68.0	8	ADE4M322NPN	ADE4N1002NPN	
ADE4	32	M32	1"	N100	3	18.0 - 26.0	23.0 - 34.0	0.2 - 1.6	48	48	76.0	9	ADE4M323NPN	ADE4N1003NPN	
ADE4	40	M40	1 1/4"	N125	2	18.0 - 27.5	23.0 - 34.0	0.2 - 1.6	48	48	76.0	9	ADE4M402NPN	ADE4N1252NPN	
ADE4	40	M40	1 1/4"	N125	3	23.0 - 34.0	29.0 - 41.0	0.2 - 2.0	55	55	88.0	10	ADE4M403NPN	ADE4N1253NPN	
ADE4	50	M50	1 1/2"	N150	2	23.0 - 34.0	29.0 - 41.0	0.2 - 2.0	55	55	88.0	10	ADE4M502NPN	ADE4N1502NPN	
ADE4	50	M50	1 1/2"	N150	3	29.0 - 41.0	35.0 - 48.0	0.2 - 2.5	64	64	97.0	11	ADE4M503NPN	ADE4N1503NPN	
ADE4	63	M63	2"	N200	2	35.0 - 48.0	42.0 - 56.0	0.2 - 2.5	72	72	102.0	12	ADE4M632NPN	ADE4N2002NPN	
ADE4	63	M63	2"	N200	3	42.0 - 53.0	50.0 - 65.0	0.2 - 2.5	85	85	117.0	13	ADE4M633NPN	ADE4N2003NPN	
ADE4	75	M75	2 1/2"	N250	2	42.0 - 56.0	50.0 - 65.0	0.2 - 2.5	85	85	117.0	13	ADE4M752NPN	ADE4N2502NPN	
ADE4	75	M75	2 1/2"	N250	3	50.0 - 62.5	58.0 - 74.0	0.2 - 2.5	95	95	124.0	14	ADE4M753NPN	ADE4N2503NPN	
ADE4	90	M90	3"	N300	1	58.0 - 74.0	66.0 - 83.0	0.2 - 3.2	110	110	133.0	15	ADE4M901NPN	ADE4N3001NPN	
ADE4	90	M90	3"	N300	2	66.0 - 78.0	75.0 - 93.0	0.2 - 3.2	120	120	140.0	16	ADE4M902NPN	ADE4N3002NPN	
ADE4	90	M90	3 1/2"	N350	3	66.0 - 83.0	85.0 - 104.0	0.2 - 3.5	135	135	150.0	17	ADE4M903NPN	ADE4N3503NPN	
ADE4	110	M110	4"	N400	3	75.0 - 93.0	85.0 - 104.0	0.2 - 3.5	135	135	150.0	17	ADE4M1103NPN	ADE4N4003NPN	

* Not UL certified. All dimensions in mm. Above catalog numbers are for nickel-plated brass; refer to order code diagram for other options.

For Group I certification, see page 80

ADE-5F - for armoured cable

Technical specification



Suitable for the following cable types:

- Steel wire armoured cable (SWA)
- Steel wire braided cable (SWB)
- Steel tape armoured cable (STA)
- Braided marine shipboard cable; Type P cable
- Lead sheathed cable (with addition of earthing washer)

With inspectable clamping for wire or braid

Double seal provides 100% of cable clamping, including braided cables.

Operating temperature:

-60°C to +140°C



Material:

Nickel-plated brass for superior corrosion resistance. 316L stainless steel, bronze and aluminum options available. It is recommended that a suitable lubricant is used on all threads of stainless steel and aluminum versions.

Ingress protection (IP):

IP66 / IP68 according to the method of attachment and the condition of the equipment area, see page 13.

Certifications and compliances:

ATEX certificate no: INERIS12ATEX0032X

Zones 1 and 2, Groups IIA, IIB and IIC
Zones 21 and 22, Groups IIIA, IIIB and IIIC

II2GD / Ex db IIC / Ex eb IIC / Ex tb IIIC

II3G Ex nRc IIC

IM2 / Ex db I / Ex eb I ; For mining applications

Brass or bronze: ADE sizes 8 to 17; 3/4" to 4" NPT, ISO 25 to 110
stainless steel: ADE sizes 4 to 17; 3/8" to 4" NPT, ISO 16 to 110

IECEX certificate no: IECEX INE 12.0025X

Zones 1 and 2, Groups IIA, IIB and IIC
Zones 21 and 22, Groups IIIA, IIIB and IIIC

Ex db I / Ex eb I ; For mining applications

Brass or bronze: ADE sizes 8 to 17; 3/4" to 4" NPT, ISO 25 to 110
stainless steel: ADE sizes 4 to 17; 3/8" to 4" NPT, ISO 16 to 110

Other certificates:

CEPEL 05.0559X

CCoE P360379-1

KOSHA 2015-BO-0483 to 0490

NANIO TC-RU C-FR.ГБ05.В.00858

NEPSI GYJ13.1082X

SABS MS/15-0314X

Shipping application:

ABS 14-HS1274083-PDA

BV 40910/A0 BV

DNV TAE000010X

Lloyds 11/00072

DTS-01:1991 compliant

UL certification:

3DJN E310130 Class I Zone 2*, AEx e II, Ex e II

ADE sizes 4 to 17, NPT 1/2" to 4" or ISO 20 to 110 with armoured cable types ITC, MV, PLTC, TC-ER, TC-ER-HL, TC.

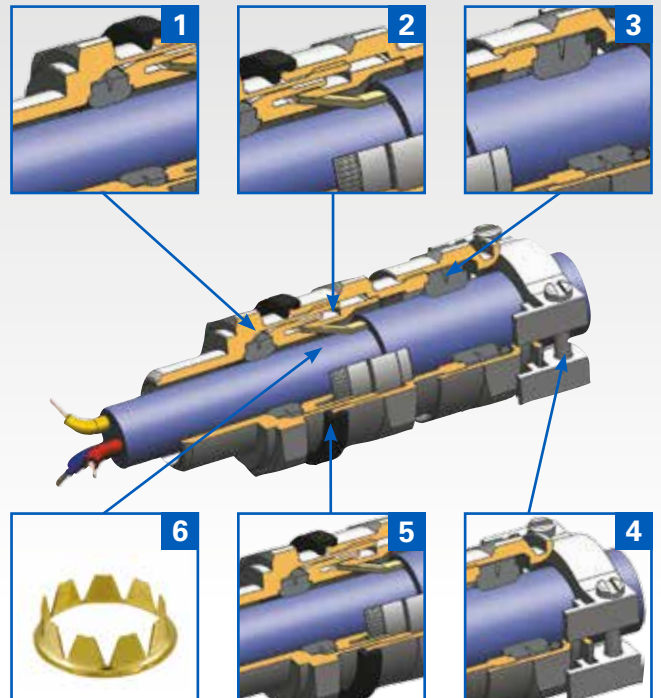
3LRC E314047 Class I Zone 2*, AEx e II, Ex e II

ADE sizes 4 to 17, NPT 1/2" to 4" or ISO 20 to 110 with armoured marine cable.

* Can be used in Div.2 provided that the enclosure contains no components that produce arcs or sparks.



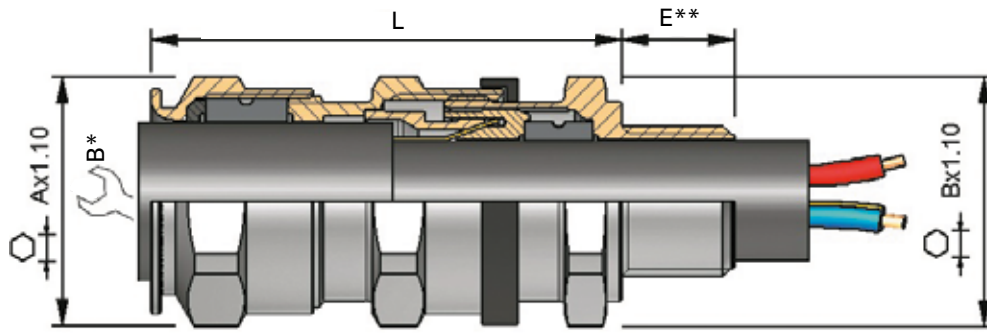
Features and benefits



- 1: Specifically formulated elastomer for flame path sealing on inner sheath of cable.
- 2: Anti-rotation feature providing simplified inspectability of armour clamping and grounding system.
- 3: Specifically formulated elastomer for IP sealing on outer sheath of cable.
- 4: Additional external cable clamping for strain relief (optional).
- 5: Additional deluge seal available for ADE-5F gland sizes No.12 to No.17.
- 6: Suitable for lead sheath cable with installation of simple washer (optional).

ADE-5F - order codes and dimensions

Dimensions



* For 'across corners' dimensions, multiply 'across flats' dimensions by 1.1

** For 'E' see thread dimension page 89

SERIES	THREAD SIZE	CABLE SEALING RANGE	MATERIAL	OPTION	CODES		KIT OPTIONS	
ADE5	M25	3	NPN		K1	Accessories kit 1	K1	Kit 1 contents:
					K2	Accessories kit 2		• Locknut
					K3	Accessories kit 3		• Green composite washer
					BLANK	No option		Kit 2 contents:
							K2	• Locknut
								• Green composite washer
								• Earth tag
								• Shroud
							K3	Kit 3 contents:
					NPN	Nickel-plated brass		• Locknut
					SSN	Stainless steel		• Green composite washer
					BZN	Bronze		• Earth tag
					ALN	Aluminum (not Group I)		• Serrated washer

0 = XS
1 = S
2 = M
3 = L

When the "DTS" prefix is specified before the "K" of the kit option, a deluge ring will be included. The deluge rings are available for sizes 12-17 only. (Ex: ADE5N2003NPNDTSK1)

SELECTION TABLE						DIMENSIONS						ADE GLAND SIZE	CATALOG NUMBER ISO	CATALOG NUMBER NPT
SERIES	THREAD SIZE	THREAD SIZE CODE	THREAD SIZE	THREAD SIZE CODE	CABLE SEALING RANGE	CABLE SEALING RANGE		ARMOUR MIN-MAX	A	B	L (LENGTH)			
						INNER SHEATH MIN - MAX	OUTER SHEATH MIN - MAX							
ADE5	12*	M12	1/4**	N025	3	4.5 - 8.0	7.0 - 12.0	0.2 - 0.9	19	19	55.0	5	ADE5M123NPN	ADE5N0253NPN
ADE5	16*	M16	3/8**	N038	2	4.5 - 8.0	7.0 - 12.0	0.2 - 0.9	19	19	55.0	5	ADE5M162NPN	ADE5N0382NPN
ADE5	16*	M16	3/8**	N038	3	7.0 - 12.0	10.0 - 16.0	0.2 - 1.2	24	24	57.0	6	ADE5M163NPN	ADE5N0383NPN
ADE5	20	M20	1/2"	N050	1	4.5 - 8.0	7.0 - 12.0	0.2 - 0.9	19	24	55.0	5	ADE5M201NPN	ADE5N0501NPN
ADE5	20	M20	1/2"	N050	2	7.0 - 12.0	10.0 - 16.0	0.2 - 1.2	24	24	57.0	6	ADE5M202NPN	ADE5N0502NPN
ADE5	20	M20	1/2"	N050	3	10.0 - 15.5	13.5 - 21.0	0.2 - 1.2	30	30	64.0	7	ADE5M203NPN	ADE5N0503NPN
ADE5	25	M25	3/4"	N075	1	7.0 - 12.0	10.0 - 16.0	0.2 - 1.2	24	30	57.0	6	ADE5M251NPN	ADE5N0751NPN
ADE5	25	M25	3/4"	N075	2	10.0 - 15.5	13.5 - 21.0	0.2 - 1.2	30	30	64.0	7	ADE5M252NPN	ADE5N0752NPN
ADE5	25	M25	3/4"	N075	3	13.5 - 20.5	18.0 - 27.5	0.2 - 1.6	41	41	75.0	8	ADE5M253NPN	ADE5N0753NPN
ADE5	32	M32	1"	N100	2	13.5 - 21.0	18.0 - 27.5	0.2 - 1.6	41	41	75.0	8	ADE5M322NPN	ADE5N1002NPN
ADE5	32	M32	1"	N100	3	18.0 - 26.0	23.0 - 34.0	0.2 - 1.6	48	48	83.0	9	ADE5M323NPN	ADE5N1003NPN
ADE5	40	M40	1 1/4"	N125	2	18.0 - 27.5	23.0 - 34.0	0.2 - 1.6	48	48	83.0	9	ADE5M402NPN	ADE5N1252NPN
ADE5	40	M40	1 1/4"	N125	3	23.0 - 34.0	29.0 - 41.0	0.2 - 2.0	55	55	90.0	10	ADE5M403NPN	ADE5N1253NPN
ADE5	50	M50	1 1/2"	N150	2	23.0 - 34.0	29.0 - 41.0	0.2 - 2.0	55	55	90.0	10	ADE5M502NPN	ADE5N1502NPN
ADE5	50	M50	1 1/2"	N150	3	29.0 - 41.0	35.0 - 48.0	0.2 - 2.5	64	64	99.0	11	ADE5M503NPN	ADE5N1503NPN
ADE5	63	M63	2"	N200	2	35.0 - 48.0	42.0 - 56.0	0.2 - 2.5	72	72	108.0	12	ADE5M632NPN	ADE5N2002NPN
ADE5	63	M63	2"	N200	3	42.0 - 53.0	50.0 - 65.0	0.2 - 2.5	85	85	120.0	13	ADE5M633NPN	ADE5N2003NPN
ADE5	75	M75	2 1/2"	N250	2	42.0 - 56.0	50.0 - 65.0	0.2 - 2.5	85	85	120.0	13	ADE5M752NPN	ADE5N2502NPN
ADE5	75	M75	2 1/2"	N250	3	50.0 - 62.5	58.0 - 74.0	0.2 - 2.5	95	95	128.0	14	ADE5M753NPN	ADE5N2503NPN
ADE5	90	M90	3"	N300	2	58.0 - 74.0	66.0 - 83.0	0.2 - 3.1	110	110	150.0	15	ADE5M902NPN	ADE5N3002NPN
ADE5	90	M90	3"	N300	3	66.0 - 78.0	75.0 - 93.0	0.2 - 3.1	120	120	160.0	16	ADE5M903NPN	ADE5N3003NPN
ADE5	110	M110	4"	N400	3	75.0 - 93.0	85.0 - 104.0	0.2 - 3.5	135	135	172.0	17	ADE5M1103NPN	ADE5N4003NPN

* Not UL certified. All dimensions in mm. Above catalog numbers are for nickel-plated brass; refer to order code diagram for other options. For Group I certification, see page 80.

ADE-6F - for armoured cable

Technical specification



Suitable for the following cable types:

- Steel wire armoured cable (SWA)
- Steel wire braided cable (SWB)
- Steel tape armoured cable (STA)
- Braided marine shipboard cable; Type P cable

With inspectable clamping for wire or braid

Ensures 100% clamping of the armour of armoured cables. With braided cables the user must provide additional clamping, we recommend using the certified ADE clamping module.

Operating temperature:

-60°C to +80°C

Material:

Nickel-plated brass for superior corrosion resistance. 316L stainless steel, bronze and aluminum options available. It is recommended that a suitable lubricant is used on all threads of stainless steel and aluminum versions.

Ingress protection (IP):

IP66 / IP68 according to the method of attachment and the condition of the equipment area, see page 13. Equipped with 'deluge' seal.

Certifications and compliances:

ATEX certificate no: INERIS12ATEX0032X

Zones 1 and 2, Groups IIA, IIB and IIC
Zones 21 and 22, Groups IIIA, IIIB and IIIC

II2GD / Ex db IIC / Ex eb IIC / Ex tb IIC

II3G Ex nRc IIC

IECEX certificate no: IECEX INE 12.0025X

Zones 1 and 2, Groups IIA, IIB and IIC
Zones 21 and 22, Groups IIIA, IIIB and IIIC
Ex db IIC / Ex eb IIC / Ex nRc IIC / Ex tb IIIC

Other certificates:

CEPEL 05.0559X

CCoE P360379-1

KOSHA 2015-BO-0483 to 0490

NANIO TC-RU C-FR.ГБ05.В.00858

NEPSI GYJ13.1082X

SABS MS/15-0314X

Shipping application:

ABS 14-HS1274083-PDA

BV 40910/A0 BV

DNV TAE000010X

Lloyds 11/00072

DTS-01:1991 compliant

UL certification:

3DYN E310130 Class I Zone 2*, AEx e II, Ex e II

ADE sizes 4 to 17, NPT 1/2" to 4" or ISO 20 to 110 with armoured cable types ITC, MV, PLTC, TC-ER, TC-ER-HL, TC.

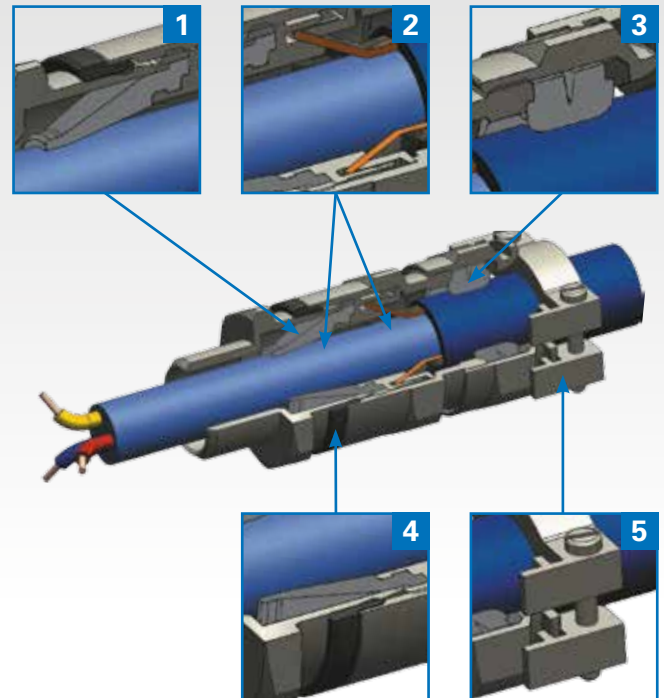
3LRC E314047 Class I Zone 2*, AEx e II, Ex e II

ADE sizes 4 to 17, NPT 1/2" to 4" or ISO 20 to 110 with armoured marine cable.

* Can be used in Div.2 provided that the enclosure contains no components that produce arcs or sparks.



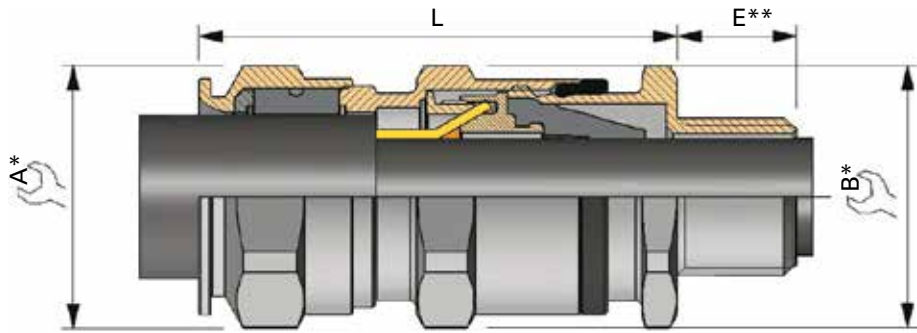
Features and benefits



- 1:** Specifically formulated diaphragm seal offers cold flow protection when required and sealing on cable inner sheath.
- 2:** Universal clamping design for earthing and bonding of armour shield. Provides mechanical strength and is suitable for all armour shield types, with no requirement to reverse components that may introduce risk of incorrect installation. Fully inspectable.
- 3:** Specifically formulated elastomer for IP sealing on outer sheath of cable.
- 4:** Deluge performance to avoid water ingress through the thread.
- 5:** Additional external cable clamping for strain relief (optional).

ADE-6F - order codes and dimensions

Dimensions



* For 'across corners' dimensions, multiply 'across flats' dimensions by 1.1

** For 'E' see thread dimension page 89

SERIES	THREAD SIZE	CABLE SEALING RANGE	MATERIAL	OPTION
ADE6	M25	3	NPS	

0 = XS
1 = S
2 = M
3 = L

SELECT

SELECT

SELECT

CODES

- K1 Accessories kit 1
- K2 Accessories kit 2
- K3 Accessories kit 3
- BLANK No option

- NPS Nickel-plated brass
- SSS Stainless steel
- BZS Bronze
- ALS Aluminum

KIT OPTIONS

- K1
 - Kit 1 contents:
 - Locknut
 - Green composite washer
- K2
 - Kit 2 contents:
 - Locknut
 - Green composite washer
 - Earth tag
 - Shroud
- K3
 - Kit 3 contents:
 - Locknut
 - Green composite washer
 - Earth tag
 - Serrated washer

SELECTION TABLE						DIMENSIONS					ADE GLAND SIZE	CATALOG NUMBER ISO	CATALOG NUMBER NPT	
SERIES	THREAD SIZE	THREAD SIZE CODE	THREAD SIZE	THREAD SIZE CODE	CABLE SEALING RANGE	CABLE SEALING RANGE		ARMOUR MIN-MAX	A	B				L (LENGTH)
						INNER SHEATH MIN - MAX	OUTER SHEATH MIN - MAX							
ADE6	16*	M16	3/8**	N038	3	3.5 - 7.5	7.0 - 12.0	0.2 - 0.9	19	19	47.5	5	ADE6M163NPS	ADE6N0383NPS
ADE6	20	M20	1/2"	N050	1	3.5 - 7.5	7.0 - 12.0	0.2 - 0.9	19	19	47.5	5	ADE6M201NPS	ADE6N0501NPS
ADE6	20	M20	1/2"	N050	2	6.5 - 11.0	10.0 - 16.0	0.2 - 1.3	24	24	54.5	6	ADE6M202NPS	ADE6N0502NPS
ADE6	20	M20	1/2"	N050	3	9.0 - 14.5	13.5 - 21.0	0.2 - 1.3	30	30	60.5	7	ADE6M203NPS	ADE6N0503NPS
ADE6	25	M25	3/4"	N075	2	9.0 - 14.5	13.5 - 21.0	0.2 - 1.3	30	30	60.5	7	ADE6M252NPS	ADE6N0752NPS
ADE6	25	M25	3/4"	N075	3	12.0 - 19.5	18.0 - 27.5	0.2 - 1.6	41	41	74.0	8	ADE6M253NPS	ADE6N0753NPS
ADE6	32	M32	1"	N100	2	12.0 - 19.5	18.0 - 27.5	0.2 - 1.6	41	41	74.0	8	ADE6M322NPS	ADE6N1002NPS
ADE6	32	M32	1"	N100	3	17.5 - 26.0	23.0 - 34.0	0.2 - 1.6	48	48	83.0	9	ADE6M323NPS	ADE6N1003NPS
ADE6	40	M40	1 1/4"	N125	2	17.5 - 26.0	23.0 - 34.0	0.2 - 1.6	48	48	83.0	9	ADE6M402NPS	ADE6N1252NPS
ADE6	40	M40	1 1/4"	N125	3	23.0 - 33.0	29.0 - 41.0	0.2 - 2.0	55	55	92.0	10	ADE6M403NPS	ADE6N1253NPS
ADE6	50	M50	1 1/2"	N150	2	23.0 - 33.0	29.0 - 41.0	0.2 - 2.0	55	55	92.0	10	ADE6M502NPS	ADE6N1502NPS
ADE6	50	M50	2"	N200	3	28.5 - 41.0	35.0 - 48.0	0.2 - 2.5	64	64	104.0	11	ADE6M503NPS	ADE6N2003NPS

* Not UL certified. All dimensions in mm. Above catalog numbers are for nickel-plated brass; refer to order code diagram for other options.

For Group I certification, see page 80.

ADE-6FC - for armoured cable

Technical specification



Suitable for the following cable types:

- Steel wire armoured cable (SWA)
- Steel wire braided cable (SWB)
- Steel tape armoured cable (STA)
- Braided marine shipboard cable; Type P cable
- Tray cable

With inspectable clamping for wire or braid

Sealing ring and TSC compound provides 100% of cable clamping.

Operating temperature:

For all certificates, excluding UL E324850: -60°C to +80°C

For UL certificate UL E324850: -20°C to +40°C

Material:

Nickel-plated brass for superior corrosion resistance. 316L stainless steel, bronze and aluminum options available. It is recommended that a suitable lubricant is used on all threads of stainless steel and aluminum versions.

Ingress protection (IP):

IP66 / IP68 according to the method of attachment and the condition of the equipment area, see page 13.

Equipped with 'deluge' seal.

Certifications and compliances:

ATEX certificate no: INERIS12ATEX0032X

Zones 1 and 2, Groups IIA, IIB and IIC

Zones 21 and 22, Groups IIIA, IIIB and IIIC

II2GD / Ex db IIC / Ex eb IIC / Ex tb IIIC

II3G Ex nRc IIC

IM2 / Ex db I / Ex eb I ; For mining applications

Brass, stainless steel or bronze: ADE sizes 11 to 17; 2" to 4" NPT, ISO 50 to 110

IECEX certificate no: IECEX INE 12.0025X

Zones 1 and 2, Groups IIA, IIB and IIC

Zones 21 and 22, Groups IIIA, IIIB and IIIC

Ex db IIC / Ex eb IIC / Ex nRc IIC / Ex tb IIIC

Ex db I / Ex eb I ; For mining applications

Brass, stainless steel or bronze: ADE sizes 11 to 17; 2" to 4" NPT, ISO 50 to 110

Other certificates:

CEPEL 05.0559X

CCoE P360379-1

KOSHA 2015-BO-0491 to 0494

NANIO TC-RU C-FR.ГБ05.B.00858

NEPSI GYJ13.1082X

SABS MS/15-0314X

Shipping application:

ABS 14-HS1274083-PDA

BV 40910/A0 BV

DNV TAE000010X

Lloyds 11/00072

DTS-01:1991 compliant

UL certification:



3DJN E310130 Class I Zone 2, AEx de II, Ex de II

ADE sizes 5 to 17, NPT 1/2" to 4" or ISO 20 to 110 with armoured cable types ITC, MV, PLTC, TC-ER, TC-ER-HL, TC and TSC epoxy sealing compound.

3DJN E310130 Class I Division 1, Groups A, B, C and D

ADE sizes 5 to 9, NPT 1/2" to 1 1/4" or ISO 20 to 40 with non-armoured cable types TC-ER-HL and TSC epoxy sealing compound.

ADE sizes 5 to 17, NPT 1/2" to 4" or ISO 20 to 110 with non-armoured cable types ITC-HL and TSC epoxy sealing compound.

3DJN E310130 Class I Division 2, Groups A, B, C and D

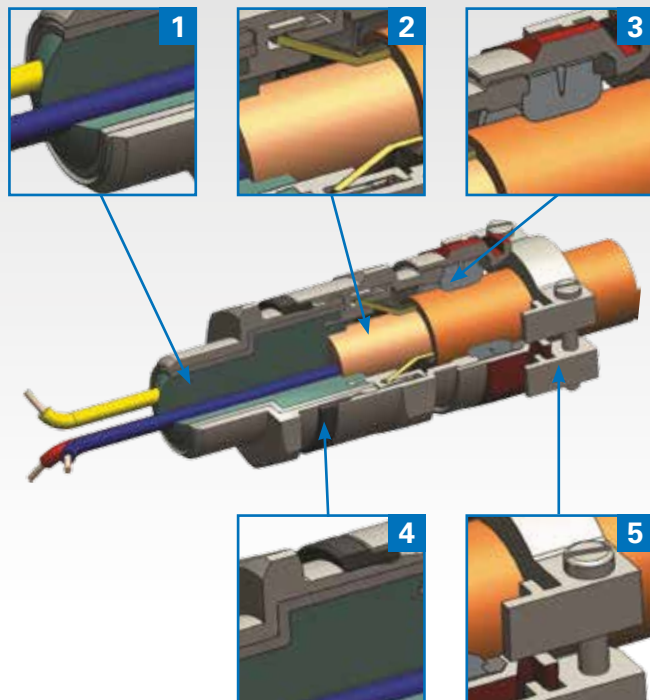
ADE sizes 5 to 17, NPT 1/2" to 4" or ISO 20 to 110 with non-armoured cable types PLTC, PLTC-ER, ITC, ITC-ER, ITC-HL, TC, TC-ER, TC-ER-HL, MV and TSC epoxy sealing compound.

4EC5 E324850 Class I Division 1, Groups A, B, C and D

ADE sizes 5 to 17, NPT 1/2" to 4" or ISO 20 to 110 with armoured marine cable and TSC epoxy sealing compound.



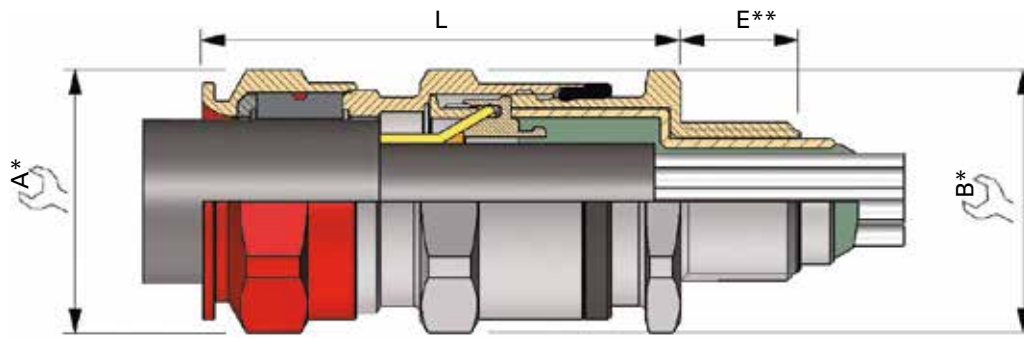
Features and benefits



- 1: Sealing of cable conductors with compound barrier seal.
- 2: Universal clamping design for earthing and bonding of armour shield. Provides mechanical strength and is suitable for all armour shield types, with no requirement to reverse components that may introduce risk of incorrect installation. Fully inspectable.
- 3: Specifically formulated elastomer for IP sealing on outer sheath of cable.
- 4: Deluge performance to avoid water ingress through the thread.
- 5: Additional external cable clamping for strain relief (optional).

ADE-6FC - order codes and dimensions

Dimensions



* For 'across corners' dimensions, multiply across flats' dimensions by 1.1

** For 'E' see thread dimension page 89

SERIES	THREAD SIZE	CABLE SEALING RANGE	MATERIAL	BARRIER	OPTION
ADE6C	M25	3	NP	SCN	

CODES	KIT OPTIONS
K1 K2 K3 BLANK	<p>Kit 1 contents:</p> <ul style="list-style-type: none"> Locknut Green composite washer <p>Kit 2 contents:</p> <ul style="list-style-type: none"> Locknut Green composite washer Earth tag Shroud <p>Kit 3 contents:</p> <ul style="list-style-type: none"> Locknut Green composite washer Earth tag Serrated washer
SCN	Solid compound
NP	Nickel-plated brass
SS	Stainless steel
BZ	Bronze

0 = XS
1 = S
2 = M
3 = L

SELECTION TABLE						DIMENSIONS							ADE GLAND SIZE	CATALOG NUMBER ISO	CATALOG NUMBER NPT	
SERIES	THREAD SIZE	THREAD SIZE CODE	THREAD SIZE CODE	THREAD SIZE CODE	CABLE SEALING RANGE	OUTER SHEATH MIN - MAX	CONDUCTORS			MAX ARMOUR THICKNESS	A	B				L (LENGTH)
	ISO		NPT				C = Ø MAX COVER CORES	Ø MAX INNER SHEATH	MAX No OF CORES							
ADE6C	16*	M16	3/8**	N038	3	6.0 - 12.0	6.5	8.0	6	0.9	19	19	47.5	5	ADE6CM163NPSCN	ADE6CN0383NPSCN
ADE6C	20	M20	1/2"	N050	1	6.0 - 12.0	6.5	8.0	6	0.9	19	24	47.5	5	ADE6CM201NPSCN	ADE6CN0501NPSCN
ADE6C	20	M20	1/2"	N050	2	8.5 - 16.0	9.5	12.0	6	1.2	24	24	54.5	6	ADE6CM202NPSCN	ADE6CN0502NPSCN
ADE6C	20	M20	1/2"	N050	3	12.0 - 21.0	12.0	16.0	10	1.2	30	30	60.5	7	ADE6CM203NPSCN	ADE6CN0503NPSCN
ADE6C	25	M25	3/4"	N075	2	12.0 - 21.0	12.0	16.0	10	1.2	30	30	60.5	7	ADE6CM252NPSCN	ADE6CN0752NPSCN
ADE6C	25	M25	3/4"	N075	3	16.0 - 27.5	17.0	21.0	21	1.6	41	41	74.0	8	ADE6CM253NPSCN	ADE6CN0753NPSCN
ADE6C	32	M32	1"	N100	2	16.0 - 27.5	17.0	21.0	21	1.6	41	41	74.0	8	ADE6CM322NPSCN	ADE6CN1002NPSCN
ADE6C	32	M32	1"	N100	3	21.0 - 34.0	23.0	27.5	42	1.6	48	48	83.0	9	ADE6CM323NPSCN	ADE6CN1003NPSCN
ADE6C	40	M40	1 1/4"	N125	2	21.0 - 34.0	23.0	27.5	42	1.6	48	48	83.0	9	ADE6CM402NPSCN	ADE6CN1252NPSCN
ADE6C	40	M40	1 1/4"	N125	3	27.0 - 41.0	29.0	34.0	60	2.0	55	55	92.0	10	ADE6CM403NPSCN	ADE6CN1253NPSCN
ADE6C	50	M50	1 1/2"	N150	2	27.0 - 41.0	29.0	34.0	60	2.0	55	55	92.0	10	ADE6CM502NPSCN	ADE6CN1502NPSCN
ADE6C	50	M50	2"	N200	1	33.0 - 48.0	36.5	41.0	80	2.5	64	64	104.0	11	ADE6CM501NPSCN	ADE6CN2001NPSCN
ADE6C	63	M63	2"	N200	2	40.0 - 56.0	43.0	48.0	100	2.5	72	72	108.0	12	ADE6CM632NPSCN	ADE6CN2002NPSCN
ADE6C	63	M63	2"	N200	3	46.0 - 65.0	50.0	56.0	100	2.5	85	85	118.0	13	ADE6CM633NPSCN	ADE6CN2003NPSCN
ADE6C	75	M75	2 1/2"	N250	2	46.0 - 65.0	50.0	56.0	100	2.5	85	85	118.0	13	ADE6CM752NPSCN	ADE6CN2502NPSCN
ADE6C	75	M75	2 1/2"	N250	3	54.0 - 74.0	59.0	65.0	120	2.5	95	95	124.0	14	ADE6CM753NPSCN	ADE6CN2503NPSCN
ADE6C	-	-	3"	N300	1	54.0 - 74.0	59.0	65.0	120	2.5	95	95	124.0	14	-	ADE6CN3001NPSCN
ADE6C	90	M90	3"	N300	2	63.0 - 83.0	66.0	73.0	140	3.1	110	110	133.0	15	ADE6CM902NPSCN	ADE6CN3002NPSCN
ADE6C	-	-	3 1/2"	N350	2	63.0 - 83.0	66.0	73.0	140	3.1	110	110	133.0	15	-	ADE6CN3502NPSCN
ADE6C	90	M90	3"	N300	3	72.0 - 93.0	75.0	82.0	140	3.1	120	120	137.0	16	ADE6CM903NPSCN	ADE6CN3003NPSCN
ADE6C	-	-	3 1/2"	N350	3	72.0 - 93.0	75.0	82.0	140	3.1	120	120	137.0	16	-	ADE6CN3503NPSCN
ADE6C	110	M110	4"	N400	3	85.0 - 104.0	85.0	92.0	200	3.5	135	135	142.0	17	ADE6CM1103NPSCN	ADE6CN4003NPSCN

* Not UL certified. All dimensions in mm. Above catalog numbers are for nickel-plated brass; refer to order code diagram for other options.

For Group I certification, see page 80.

Capri ADE cable glands - accessories and kits

ADE external clamping module - available with all ADE range



SELECTION TABLE					CATALOG NUMBER
CABLE RANGE	SIZE	FOR HEXAGON	WIDTH	THICKNESS	
2.8 - 5.5	3	15.0	18.0	5.0	CAP810334
4.0 - 8.5	4	17.0	20.0	5.0	CAP810444
6.0 - 11.0	5	19.0	22.0	5.0	CAP810534
8.5 - 16.0	6	24.0	27.5	6.0	CAP810634
12.0 - 21.0	7	30.0	33.5	8.0	CAP810734
16.0 - 27.5	8	41.0	45.0	8.0	CAP810834
21.0 - 34.0	9	48.0	52.0	9.5	CAP810934
27.0 - 41.0	10	55.0	59.0	9.5	CAP811034
33.0 - 48.0	11	64.0	69.0	12.0	CAP811134
40.0 - 56.0	12	72.0	78.0	12.0	CAP811234
47.0 - 65.0	13	85.0	92.0	16.0	CAP811334
54.0 - 74.0	14	95.0	103.0	16.0	CAP811434
63.0 - 83.0	15	110.0	118.0	18.0	CAP811534
72.0 - 93.0	16	120.0	128.0	18.0	CAP811634

ADE clamping module – material: nickel-plated brass and stainless steel washer and screws.
All dimensions in mm.

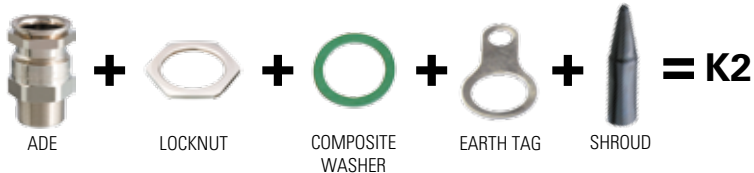
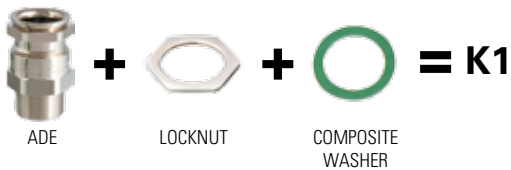
ADE-4F and 5F lead sheath washer



GLAND SIZE	OUTER LEAD SHEATH		CATALOG NUMBER
	MIN	MAX	
5	4.5	7.5	CAP560530
6	7.0	11.0	CAP560630
7	10.0	15.0	CAP560730
8	13.5	20.0	CAP560830
9	18.0	26.5	CAP560930
10	23.0	32.5	CAP561030
11	29.0	39.5	CAP561130
12	35.0	46.5	CAP561230
13	42.0	54.5	CAP561330
14	50.0	61.0	CAP561430
15	58.0	72.5	CAP561530
16	66.0	81.5	CAP561630

ADE-4F and 5F lead sheath washer – material: natural brass.
All dimensions in mm.

ADE - CAP standard / DTS kits



K1, K2 and K3 kits are available for all of the ADE range.

Deluge seal kits (DTSK1, DTSK2, DTSK3) are suitable for ADE-5F glands sizes No.12 - No.17 only.

To order kits including deluge seal, add "DTS" to order code before the kit number; e.g. **ADE5M752NPNDTSK2**

ADE-5F deluge seal



DELUGE SEAL	
GLAND SIZE	CATALOG NUMBER
12	CAP850012
13	CAP850013
14	CAP850014
15	CAP850015
16	CAP850016
17	CAP850017

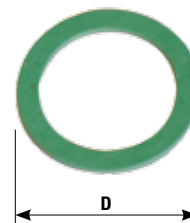
Capri - accessories

ISO - METRIC SELECTION TABLE			
GASKET			GREEN COMPOSITE CATALOG NUMBER
THREAD SIZE	D	E THICKNESS	
10	15.0	1.2	CAP221045
12	18.0	1.2	CAP221245
16	22.0	1.2	CAP221645
20	27.0	1.2	CAP222045
25	35.0	1.5	CAP222545
32	43.0	1.5	CAP223245
40	55.0	1.5	CAP224045
50	69.0	1.5	CAP225045
63	82.0	2.0	CAP226345
75	94.0	2.0	CAP227545
90	110.0	2.0	CAP229045
110	130.0	2.0	CAP221145

Temperature range: -60°C to +140°C. All dimensions in mm. Outer diameter dimensions may be subject to change.

NPT - SELECTION TABLE			
GASKET			GREEN COMPOSITE CATALOG NUMBER
THREAD SIZE	D	E THICKNESS	
1/4"	18.0	1.5	CAP239014
3/8"	22.0	1.5	CAP239038
1/2"	31.0	1.5	CAP239012
3/4"	35.0	1.5	CAP239034
1"	43.0	1.5	CAP239010
1 1/4"	59.0	1.5	CAP239114
1 1/2"	69.0	1.5	CAP239112
2"	79.0	2.0	CAP239020
2 1/2"	94.0	2.0	CAP239212
3"	110.0	2.0	CAP239300
3 1/2"	119.0	2.0	CAP239312
4"	130.0	2.0	CAP239414

Temperature range: -60°C to +140°C. All dimensions in mm. Outer diameter dimensions may be subject to change.



ISO - METRIC SELECTION TABLE			
GASKET			NEOPRENE CATALOG NUMBER
THREAD SIZE	D	E THICKNESS	
10	15.0	1.2	CAP221049
12	18.0	1.2	CAP221249
16	22.0	1.2	CAP221649
20	24.0	1.2	CAP222049
25	30.0	1.5	CAP222549
32	42.0	1.5	CAP223249
40	52.0	1.5	CAP224049
50	63.0	1.5	CAP225049
63	77.0	2.0	CAP226349
75	90.0	2.0	CAP227549
90	106.0	2.0	CAP229049
110	126.0	2.0	CAP221149

Temperature range: -40°C to +80°C. All dimensions in mm. Outer diameter dimensions may be subject to change.

NPT - SELECTION TABLE			
GASKET			NEOPRENE CATALOG NUMBER
THREAD SIZE	D	E THICKNESS	
1/4"	20.0	1.5	CAP229014
3/8"	22.0	1.5	CAP229038
1/2"	27.0	1.5	CAP229012
3/4"	33.0	1.5	CAP229034
1"	41.0	1.5	CAP229010
1 1/4"	52.0	1.5	CAP229114
1 1/2"	57.0	1.5	CAP229112
2"	71.0	2.0	CAP229020
2 1/2"	85.0	2.0	CAP229212
3"	104.0	2.0	CAP229300
3 1/2"	120.0	2.0	CAP229312
4"	130.0	2.0	CAP229414

Temperature range: -40°C to +80°C. All dimensions in mm. Outer diameter dimensions may be subject to change.

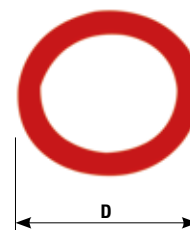


ISO - METRIC SELECTION TABLE			
GASKET			RED CATALOG NUMBER
THREAD SIZE	D	E THICKNESS	
10	15.0	1.5	CAP221041
12	18.0	1.5	CAP221241
16	22.0	1.5	CAP221641
20	27.0	1.5	CAP222041
25	35.0	1.5	CAP222541
32	43.0	1.5	CAP223241
40	55.0	1.5	CAP224041
50	69.0	1.5	CAP225041
63	82.0	1.5	CAP226341
75	94.0	1.5	CAP227541
90	110.0	1.5	CAP229041
110	130.0	1.5	CAP221141

Temperature range: -30°C to +80°C. All dimensions in mm. Outer diameter dimensions may be subject to change.

NPT - SELECTION TABLE			
GASKET			RED FIBER CATALOG NUMBER
THREAD SIZE	D	E THICKNESS	
1/4"	18.0	1.5	CAP219014
3/8"	22.0	1.5	CAP219038
1/2"	31.0	1.5	CAP219012
3/4"	35.0	1.5	CAP219034
1"	43.0	1.5	CAP219010
1 1/4"	59.0	1.5	CAP219114
1 1/2"	69.0	1.5	CAP219112
2"	79.0	1.5	CAP219020
2 1/2"	94.0	1.5	CAP219212
3"	110.0	1.5	CAP219300
3 1/2"	119.0	1.5	CAP219312
4"	130.0	1.5	CAP219414

Temperature range: -30°C to +80°C. All dimensions in mm. Outer diameter dimensions may be subject to change.



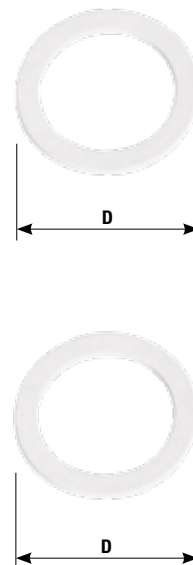
Capri - accessories

WHITE NYLON WASHERS			
GASKET			WHITE NYLON CATALOG NUMBER
THREAD SIZE	D	E THICKNESS	
12	23.8	1.5	CAP221242
16	25.0	1.5	CAP221642
20	28.7	1.5	CAP222042
25	36.0	1.5	CAP222542
32	42.5	1.5	CAP223242
40	52.0	1.5	CAP224042
50	65.0	1.5	CAP225042
63	79.4	1.5	CAP226342
75	90.5	1.5	CAP227542
80	10.4	1.5	CAP228042
90	114.3	1.5	CAP229042
100	114.3	1.5	CAP229942
110	135.0	1.5	CAP221142

Temperature range: -30°C to +75°C. All dimensions in mm.

PTFE WASHERS			
GASKET			PTFE CATALOG NUMBER
THREAD SIZE	D	E THICKNESS	
12	23.8	1.5	CAP221243
16	25.0	1.5	CAP221643
20	28.7	1.5	CAP222043
25	36.0	1.5	CAP222543
32	42.5	1.5	CAP223243
40	52.0	1.5	CAP224043
50	65.0	1.5	CAP225043
63	79.4	1.5	CAP226343
75	90.5	1.5	CAP227543
80	10.4	1.5	CAP228043
90	114.3	1.5	CAP229043
100	114.3	1.5	CAP229943
110	135.0	1.5	CAP221143

Temperature range: -60°C to +140°C. All dimensions in mm.



ISO - METRIC SELECTION TABLE		
LOCKNUT	NICKEL PLATED BRASS CATALOG NUMBER	STAINLESS STEEL 316L CATALOG NUMBER
THREAD SIZE		
16	CAP221694	CAP221699
20	CAP222094	CAP222099
25	CAP222594	CAP222599
32	CAP223294	CAP223299
40	CAP224094	CAP224099
50	CAP225094	CAP225099
63	CAP226394	CAP226399
75	CAP227594	CAP227599
90	CAP229094	CAP229099
110	CAP221104	CAP221109

All dimensions in mm.

NPT - SELECTION TABLE		
LOCKNUT	NICKEL PLATED BRASS CATALOG NUMBER	STAINLESS STEEL 316L CATALOG NUMBER
THREAD SIZE		
1/2"	CAP280124	CAP280129
3/4"	CAP280134	CAP280139
1"	CAP280144	CAP280149
1 1/4"	CAP280154	CAP280159
1 1/2"	CAP280164	CAP280169
2"	CAP280174	CAP280179
2 1/2"	CAP280184	CAP280189
3"	CAP280194	CAP280199
3 1/2"	CAP280204	CAP280209
4"	CAP280214	CAP280219

All dimensions in mm.

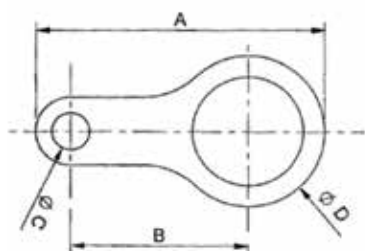


ISO - METRIC SELECTION TABLE						
EARTH TAG					NICKEL PLATED BRASS CATALOG NUMBER	STAINLESS STEEL 316L CATALOG NUMBER
THREAD SIZE	A	B	C	D		
16	48.5	30.0	6.5	24.5	CAP567034	CAP567039
20	53.8	33.0	7.0	28.6	CAP567054	CAP567059
25	61.5	36.0	10.5	34.0	CAP567074	CAP567079
32	73.0	41.0	12.2	42.0	CAP567094	CAP567099
40	86.5	44.5	13.5	54.0	CAP567124	CAP567129
50	111.5	58.0	13.5	67.0	CAP567154	CAP567159
63	125.5	67.0	13.5	77.0	CAP567184	CAP567189
75	137.5	73.0	13.5	89.0	CAP567194	CAP567199
90	167.0	93.0	13.5	109.5	CAP567214	CAP567219
110	214.0	125.0	13.5	138.0	CAP567234	CAP567239

All dimensions in mm.

NPT - SELECTION TABLE						
EARTH TAG					NICKEL PLATED BRASS CATALOG NUMBER	STAINLESS STEEL 316L CATALOG NUMBER
THREAD SIZE	A	B	C	D		
1/2"	61.5	33.0	10.5	28.6	CAP567064	CAP567069
3/4"	73.0	36.0	12.2	34.0	CAP567084	CAP567089
1"	73.0	41.0	12.2	42.0	CAP567104	CAP567109
1 1/4"	86.5	44.5	13.5	54.0	CAP567134	CAP567139
1 1/2"	111.5	58.0	13.5	67.0	CAP567154	CAP567159
2"	125.5	67.0	13.5	77.0	CAP567174	CAP567179
2 1/2"	137.5	73.0	13.5	89.0	CAP567194	CAP567199
3"	167.0	93.0	13.5	109.5	CAP567214	CAP567219
3 1/2"	188.0	107.3	13.5	121.5	CAP567224	CAP567229
4"	214.0	125.0	13.5	138.0	CAP567244	CAP567249

All dimensions in mm.



Capri - accessories

ISO - METRIC SELECTION TABLE		
SERRATED WASHER		GALVANISED STEEL CATALOG NUMBER
THREAD SIZE	D	
16	25.5	CAP280016
20	32.5	CAP280020
25	39.5	CAP280025
32	49.5	CAP280032
40	64.5	CAP280040
50	80.5	CAP280050
63	100.0	CAP280063
75	112.0	CAP280075
90	123.0	CAP280090

All dimensions in mm.

ISO - METRIC SELECTION TABLE		
SERRATED WASHER		STAINLESS STEEL 316L CATALOG NUMBER
THREAD SIZE	D	
16	25.5	CAP280069
20	32.5	CAP280029
25	39.5	CAP280259
32	49.5	CAP280329
40	64.5	CAP280409
50	80.5	CAP280509
63	100.0	CAP280639
75	112.0	CAP280759
90	123.0	CAP280099

All dimensions in mm.



SELECTION TABLE		
SHROUD		PVC CATALOG NUMBER
ADE SIZE	DIAMETER A	
4	16.0	CAP506040
5	20.0	CAP506050
6	25.0	CAP506060
7	31.0	CAP506070
8	43.0	CAP506080
9	52.0	CAP506090
10	59.0	CAP506100
11	67.0	CAP506110
12	75.0	CAP506120
13	90.0	CAP506130
14	100.0	CAP506140
15	116.0	CAP506150
16	127.0	CAP506160

All dimensions in mm.



HTL (High temperature thread lubricant)	
SIZE	CATALOG NUMBER
4.0oz	CAP023836

HTL is a high temperature, anti-seize, conductive thread lubricant:

- Effective and stable from -70°F to +1800°F
- Prevents seizure, galling, rust, galvanic action
- Maintains grounding continuity; should not be used on exposed current-carrying parts
- Effective between parts made of dissimilar metals



CAPRI COMPOUND	
SIZE	CATALOG NUMBER
0.5oz	CAP560001
1.0oz	CAP560002
4.0oz	CAP560003

For use with ADE-1FC and ADE-6FC cable glands



Capri NEWCAP - MS-e

Technical specification



Suitable for the following cable types:

- Non-armoured cable
- Braided cable

Operating temperature:

Neoprene seal: -20°C to +80°C

Material:

Nickel-plated brass for superior corrosion resistance.
316L stainless steel long fixing thread option available.
It is recommended that a suitable lubricant is used on all threads of stainless steel and aluminum versions.

Ingress protection (IP):

IP66 / IP68 tested 30m/7days on surface Ra 1.6µm max.

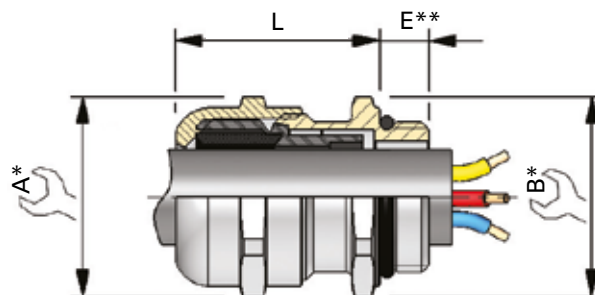
Certifications and compliances:

Zones 1 and 2 Group IIC
Zones 21 and 22 Group IIIC

ATEX certificate no: INERIS 13ATEX0008X
Ex eb IIC, Ex nRc IIC, Ex tb IIIC

IECEX certificate no: IECEX INE 13.0003X

Marine certificate no: BV 40909_A0 (shipping application)



* For 'across corners' dimensions, multiply 'across flats' dimensions by 1.1

** For 'E' see thread dimension page 89

SELECTION TABLE		DIMENSIONS				GLAND SIZE	CATALOG NUMBER ISO (NICKEL-PLATED BRASS)	CATALOG NUMBER ISO (316L STAINLESS STEEL LONG FIXING THREAD)
THREAD SIZE ISO	BRAID THICKNESS	CABLE DIAMETER MIN - MAX	A	B	L (LENGTH)			
12	0.70	4.0 - 6.5	15	15	18	4	CAP192124V1	CAP192129V1
16	0.70	4.0 - 6.5	15	18	18	4	CAP192154V1	CAP192159V1
16	0.70	5.5 - 10.0	20	20	24	5	CAP192164V1	CAP192169V1
20	0.70	5.5 - 10.0	20	22	24	5	CAP192194V1	CAP192199V1
20	0.80	7.5 - 13.0	24	24	27	6	CAP192204V1	CAP192209V1
25	0.80	7.5 - 13.0	24	27	27	6	CAP192244V1	CAP192249V1
25	0.85	11.5 - 18.0	30	30	28	7	CAP192254V1	CAP192259V1
32	0.85	11.5 - 18.0	30	34	28	7	CAP192314V1	CAP192319V1
32	0.95	17.5 - 24.5	38	38	30	8	CAP192324V1	CAP192329V1
40	0.95	17.5 - 24.5	38	43	30	8	CAP192394V1	CAP192399V1
40	1.00	24.0 - 32.0	47	47	33	9	CAP192404V1	CAP192409V1
50	1.00	24.0 - 32.0	47	54	33	9	CAP192494V1	CAP192499V1
50	1.15	31.0 - 40.5	57	57	37	10	CAP192504V1	CAP192509V1
63	1.15	31.0 - 40.5	57	68	37	10	CAP192624V1	CAP192629V1
63	1.75	39.0 - 53.0	75	75	48	11	CAP192634V1	CAP192639V1

All dimensions in mm.

Technical specification



Suitable for the following cable types:

- Non-armoured cable
- Shielded cable for EMC specific cable and applications

Operating temperature:

Neoprene seal: -20°C to +80°C

Material:

Nickel-plated brass for superior corrosion resistance.
316L stainless steel long fixing thread option available.
It is recommended that a suitable lubricant is used on all threads of stainless steel and aluminum versions.

Ingress protection (IP):

IP66 / IP68 tested 30m/7days on surface Ra 1.6µm max.

Certifications and compliances:

Zones 1 and 2 Group IIC

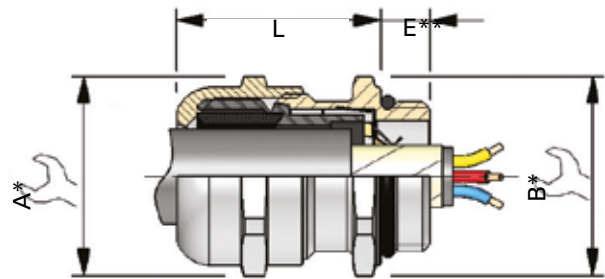
Zones 21 and 22 Group IIIC

ATEX certificate no: INERIS 13ATEX0008X

Ex eb IIC, Ex nRc IIC, Ex tb IIIC

IECEX certificate no: IECEX INE 13.0003X

Marine certificate no: BV 40909_A0 (shipping application)



* For 'across corners' dimensions, multiply 'across flats' dimensions by 1.1

** For 'E' see thread dimension page 89

SELECTION TABLE		DIMENSIONS					GLAND SIZE	CATALOG NUMBER ISO (NICKEL-PLATED BRASS)	CATALOG NUMBER ISO (316L STAINLESS STEEL LONG FIXING THREAD)
THREAD SIZE	BRAID THICKNESS	DIAMETER ON SHIELD	CABLE DIAMETER MIN - MAX	A	B	L (LENGTH)			
ISO									
12	0.70	3.0	4.0 - 6.5	15	15	18	4	CAP193124V1	CAP193129V1
16	0.70	3.0	4.0 - 6.5	15	18	18	4	CAP193154V1	CAP193159V1
16	0.70	4.5	5.5 - 10.0	20	20	24	5	CAP193164V1	CAP193169V1
20	0.70	4.5	5.5 - 10.0	20	22	24	5	CAP193194V1	CAP193199V1
20	0.80	6.0	7.5 - 13.0	24	24	27	6	CAP193204V1	CAP193209V1
25	0.80	6.0	7.5 - 13.0	24	27	27	6	CAP193244V1	CAP193249V1
25	0.85	10.0	11.5 - 18.0	30	30	28	7	CAP193254V1	CAP193259V1
32	0.85	10.0	11.5 - 18.0	30	34	28	7	CAP193314V1	CAP193319V1
32	0.95	15.0	17.5 - 24.5	38	38	30	8	CAP193324V1	CAP193329V1
40	0.95	15.0	17.5 - 24.5	38	43	30	8	CAP193394V1	CAP193399V1
40	1.00	20.5	24.0 - 32.0	47	47	33	9	CAP193404V1	CAP193409V1
50	1.00	20.5	24.0 - 32.0	47	54	33	9	CAP193494V1	CAP193499V1
50	1.15	27.5	31.0 - 40.5	57	57	37	10	CAP193504V1	CAP193509V1
63	1.15	27.5	31.0 - 40.5	57	68	37	10	CAP193624V1	CAP193629V1
63	1.75	34.5	39.0 - 53.0	75	75	48	11	CAP193634V1	CAP193639V1

All dimensions in mm.

Capri EXACAP Ex-e / Ex-i / CEAG GHG Ex-e / Ex-i

Technical specification



Suitable for the following cable types:

➡ Non-armoured cable

Operating temperature:

ATEX / IECEx Certification: -20°C to +70°C*
*-40°C/-55°C to +70°C available on some sizes

Material:

Polyamide
Large cable connection area.
Low torque required for tightening.
Integrated sealing lip on thread.

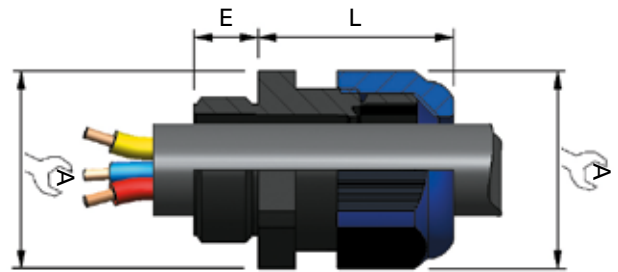
Ingress protection (IP):

IP66 / IP68

Certifications and compliances:

ATEX certificate no: PTB 14 ATEX 1015X
II 2 G Ex eb IIC Gb / II 2 D Ex tb IIIC Db

IECEX certificate no: IECEx PTB 14.0027X
Ex eb IIC Gb / Ex eb IIC Gb



SELECTION TABLE		DIMENSIONS					CAP NUMBER Ex-e (BLACK)	CAP NUMBER Ex-i (BLUE)	CATALOG NUMBER ISO Ex-e (BLACK)	CATALOG NUMBER ISO Ex-i (BLUE)
THREAD SIZE	CABLE DIAMETER SEAL 1 + 2 + 3	SEAL 1 + 2	SEAL 1	ACROSS FLATS (A)	LENGTH L	THREAD LENGTH (E)				
ISO										
Ex-e / Ex-i Glands with short thread										
12	-	-	5.0 - 7.0	15.0	19.3	8.0	CAP451207	CAP451206	GHG 960 1955 R0001	GHG 960 1955 R0101
16	-	-	7.0 - 10.0	20.0	23.0	8.0	CAP451607	CAP451606	GHG 960 1955 R0002	GHG 960 1955 R0102
20	5.5 - 7.0	7.0 - 9.0	9.5 - 13.0	24.0	25.0	8.0	CAP452007	CAP452006	GHG 960 1955 R0003	GHG 960 1955 R0103
20	5.5 - 7.0	7.0 - 9.0	9.5 - 11.0	24.0	25.0	8.0	-	-	GHG 960 1955 R0010†	GHG 960 1955 R0109†
25	8.0 - 10.0	10.0 - 13.0	13.5 - 17.5	29.0	29.5	8.0	CAP452507	CAP452506	GHG 960 1955 R0004	GHG 960 1955 R0104
25	8.0 - 10.0	10.0 - 13.0	13.5 - 15.0	29.0	29.5	13.0	-	-	GHG 960 1955 R0009†	GHG 960 1955 R0110†
32	-	14.0 - 17.0	17.5 - 21.0	36.0	35.5	10.0	CAP453207	CAP453206	GHG 960 1955 R0005	GHG 960 1955 R0105
32	-	14.0 - 17.0	17.5 - 21.0	36.0	35.5	10.0	-	-	GHG 960 1955 R0011†	GHG 960 1955 R0111†
Ex-e / Ex-i Glands with long thread										
12	-	-	5.0 - 7.0	15.0	19.3	12.0	CAP451217	CAP451216	GHG 960 1955 R0021	GHG 960 1955 R0121
16	-	-	7.0 - 10.0	20.0	23.0	12.0	CAP451617	CAP451616	GHG 960 1955 R0022	GHG 960 1955 R0122
20	5.5 - 7.0	7.0 - 9.0	9.5 - 13.0	24.0	25.0	13.0	CAP452017	CAP452016	GHG 960 1955 R0023	GHG 960 1955 R0123
20	5.5 - 7.0	7.0 - 9.0	9.5 - 11.0	24.0	25.0	13.0	-	-	GHG 960 1955 R0029†	GHG 960 1955 R0129†
25	8.0 - 10.0	10.0 - 13.0	13.5 - 17.5	29.0	29.5	13.0	CAP452517	CAP452516	GHG 960 1955 R0024	GHG 960 1955 R0124
25	8.0 - 10.0	10.0 - 13.0	13.5 - 15.0	29.0	29.5	13.0	-	-	GHG 960 1955 R0030†	GHG 960 1955 R0130†
32	-	14.0 - 17.0	17.5 - 21.0	36.0	35.5	15.0	CAP453217	CAP453216	GHG 960 1955 R0025	GHG 960 1955 R0125
32	-	14.0 - 17.0	17.5 - 21.0	36.0	35.5	15.0	-	-	GHG 960 1955 R0031†	GHG 960 1955 R0131†
40	-	19.0 - 22.0	22.0 - 28.0	46.0	39.5	15.0	CAP454017	CAP454016	GHG 960 1955 R0026†	GHG 960 1955 R0126†
50	-	24.0 - 28.0	28.0 - 35.0	55.0	44.0	16.0	CAP455017	CAP455016	GHG 960 1955 R0027†	GHG 960 1955 R0127†
63	-	29.0 - 35.0	36.0 - 48.0 1)	68.0	47.0	16.0	CAP456317	CAP456316	GHG 960 1955 R0028†	GHG 960 1955 R0128†

All dimensions in mm. † Temperature range -40°C / -55°C to +70°C (otherwise -20°C to +70°C). 1) M63 with additional sealing.

CEAG TRUMPET

Technical specification



Suitable for the following cable types:

■ Non-armoured cable

Operating temperature:

-40°C to +85°C

Material:

Polyamide
 Large cable connection area.
 Low torque required for tightening.
 Integrated sealing lip on thread.

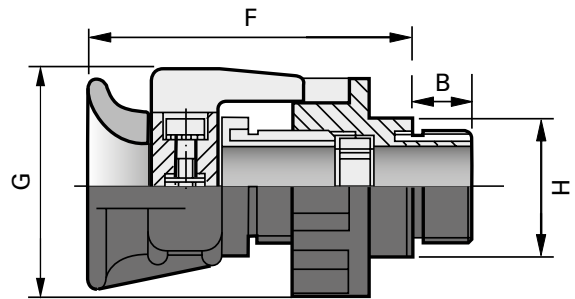
Ingress protection (IP):

IP66

Certifications and compliances:

ATEX certificate no: PTB 00 ATEX 3121
 II 2 G Ex e II / II 2 D Ex tD A21 IP66

IECEX certificate no: IECEX BK1 08.0007
 Ex e II / Ex tD A21 IP66 T85°C



SELECTION TABLE		DIMENSIONS					CATALOG NUMBER
GLAND SIZE	METRIC SIZE	GLAND LENGTH 'F' (LESS ENTRY)	OUTER SHEATH MIN - MAX	ACROSS FLATS 'H'	ACROSS CORNERS 'G'	THREAD LENGTH 'B'	
ISO							
20	M20	64.0	8.0 - 13.0	27.0	47.0	15.0	GHG 960 1949 R0111
25	M25	65.0	11.0 - 16.0	32.0	51.0	15.0	GHG 960 1949 R0112
32	M32	80.0	15.0 - 20.0	41.0	68.0	15.0	GHG 960 1949 R0113
40	M40	86.0	19.0 - 27.0	50.0	81.0	15.0	GHG 960 1949 R0114
50	M50	95.0	28.0 - 34.0	60.0	96.0	16.0	GHG 960 1949 R0115
63	M63	105.0	38.0 - 46.0	75.0	107.0	16.0	GHG 960 1949 R0116

All dimensions in mm.

Terminator™ II TMCX - for armoured / non-armoured cable

Technical specification



Suitable for the following cable types

- Metal clad cable: MC, MC-HL
- Non-armoured and tray cable: ITC-HL, TC, TC-ER, TC-ER-HL, PLTC
- TECK cable

Certifications and compliances

Class I Division 1 groups A, B, C, D
Class II Groups E, F, G
Class III
NEMA 6P (up to trade size 1 1/4" NPT and metric equivalent)
NEMA 4 (above trade size 1 1/4" NPT and metric equivalent)
Nickel-plated brass and stainless steel are NEMA4X rated.
cULus Listed: E122485

Material:

Aluminum as standard material with neoprene seal.
316L stainless steel and nickel-plated brass construction available.
Chico® LiquidSeal liquid compound with fast gel and cure times to reduce waiting time. Also available with regular TSC epoxy sealing compound*.
Aluminum sizes 1/2" to 1 1/4" NPT available in bulk packs.

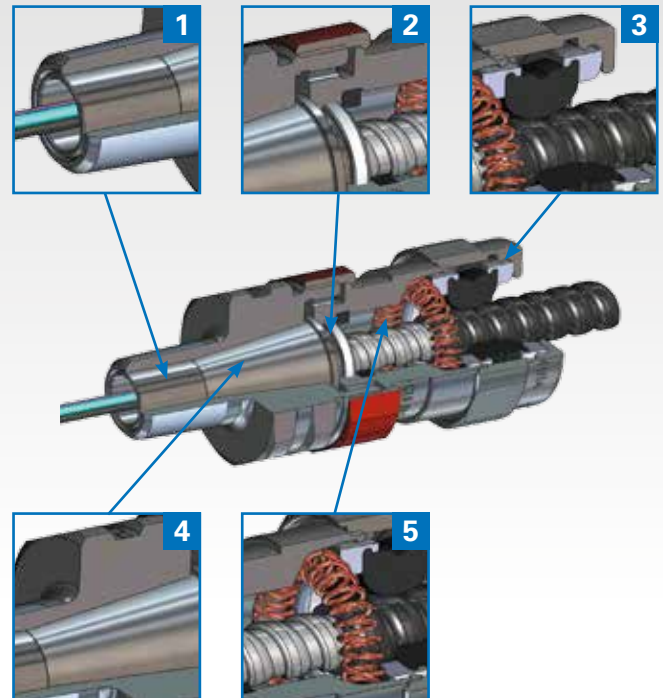
Operating temperature:

-40°C to +60°C
For specific temperature information, please contact your local representative.

*For details of Chico® LiquidSeal liquid compound, TSC epoxy sealing compound and Cold Shrink kits, please see page 42.



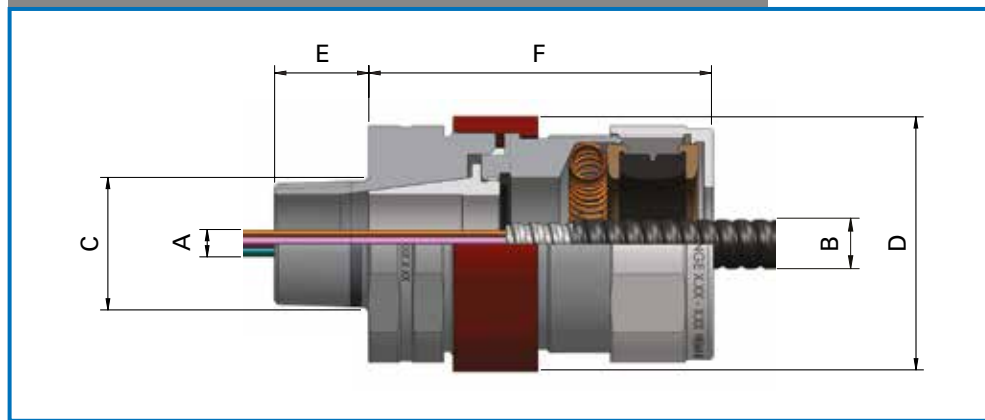
Features and benefits



- 1: Choice of liquid or putty compound allows rapid curing and facilitates non-vertical applications. Includes compound dam.
- 2: Splined shaft ensures the two assemblies lock together and do not rotate, preventing need for two tools to be used.
- 3: Back nut / cap nut and environmental seal are captive, retaining entry end components.
- 4: Conical compound chamber ensures perfect flame path every time.
- 5: Integral union allows for a two-piece assembly gland, minimizing tightening and loosening of nuts, improving assembly time. Red anodized union nut is visible in any orientation for quick identification of Ex gland.

Terminator™ II TMCX - order codes and dimensions

Dimensions



SERIES	THREAD SIZE	CABLE SEALING RANGE	MATERIAL	SEALING TYPE	VARIANT CODES	
TMCX	050	1	NP	L	L	Liquid compound
					BLANK	TSC compound
			NP			Nickel-plated brass
			SS			Stainless steel
			BLANK			Aluminum

TMCX II BULK PACK GLANDS		
CATALOG NUMBER	DESCRIPTION	STANDARD CARTON QUANTITY
TMCX050 0 BULK	1/2" TMCX II SIZE 0	20
TMCX050 1 BULK	1/2" TMCX II SIZE 1	20
TMCX050 2 BULK	1/2" TMCX II SIZE 2	20
TMCX075 0 BULK	3/4" TMCX II SIZE 0	15
TMCX075 1 BULK	3/4" TMCX II SIZE 1	15
TMCX075 2 BULK	3/4" TMCX II SIZE 2	15
TMCX100 0 BULK	1" TMCX II SIZE 0	15
TMCX100 1 BULK	1" TMCX II SIZE 1	10
TMCX100 2 BULK	1" TMCX II SIZE 2	10
TMCX125 1 BULK	1 1/4" TMCX II SIZE 1	10

The Terminator™ II TMCX in aluminum, sizes 1/2" to 1 1/4" NPT is also available in bulk packed glands without compound. For details of Chico® LiquidSeal liquid compound, TSC epoxy sealing compound and Cold Shrink kits, please see page 42.

SELECTION TABLE					DIMENSIONS								CATALOG NUMBER NPT	CATALOG NUMBER ISO
THREAD SIZE 'C'	THREAD SIZE CODE	THREAD SIZE 'C'	THREAD SIZE CODE	CABLE SEALING RANGE	OVER COND O.D. MAX	ARMOUR O.D. 'A'		CABLE O.D. 'B' †		ACROSS CORNERS 'D'	LENGTH 'F'	THREAD LENGTH 'E' NPT		
NPT	ISO	MIN	MAX	MIN		MAX								
1/2"	50	20	M20	0	0.480	0.36 (9.14)	0.66 (16.76)	0.45 (11.43)‡	0.70 (17.78)	1.44 (36.51)	0.89 (22.61)	2.93 (74.42)	TMCX050 0	TMCXM20 0
1/2"	50	20	M20	1	0.480	0.40 (10.16)	0.86 (21.84)	0.49 (12.45)	0.90 (22.86)	1.75 (44.45)	1.00 (25.40)	3.05 (77.47)	TMCX050 1	TMCXM20 1
1/2"	50	20	M20	2	0.480	0.56 (14.22)	1.14 (28.96)	0.65 (16.51)	1.18 (29.97)	2.25 (57.15)	1.00 (25.40)	3.18 (80.77)	TMCX050 2	TMCXM20 2
3/4"	75	25	M25	0	0.713	0.36 (9.14)	0.66 (16.76)	0.45 (11.43)‡	0.70 (17.78)	1.63 (41.28)	0.90 (22.86)	2.93 (74.42)	TMCX075 0	TMCXM25 0
3/4"	75	25	M25	1	0.713	0.40 (10.16)	0.86 (21.84)	0.49 (12.45)	0.90 (22.86)	1.75 (44.45)	1.00 (25.40)	3.05 (77.47)	TMCX075 1	TMCXM25 1
3/4"	75	25	M25	2	0.713	0.56 (14.22)	1.14 (28.96)	0.65 (16.51)	1.18 (29.97)	2.25 (57.15)	1.00 (25.40)	3.18 (80.77)	TMCX075 2	TMCXM25 2
1"	100	32	M32	0	0.713	0.40 (10.16)	0.86 (21.84)	0.49 (12.45)‡	0.90 (22.86)	1.75 (44.45)	1.08 (27.40)	3.13 (79.50)	TMCX100 0	TMCXM32 0
1"	100	32	M32	1	0.939	0.56 (14.22)	1.14 (28.96)	0.65 (16.51)	1.18 (29.97)	2.25 (57.15)	1.08 (27.40)	3.18 (80.77)	TMCX100 1	TMCXM32 1
1"	100	32	M32	2	0.939	0.78 (19.81)	1.35 (34.29)	0.87 (22.10)	1.39 (35.31)	2.56 (65.02)	1.08 (27.40)	3.30 (83.82)	TMCX100 2	TMCXM32 2
1 1/4"	125	40	M40	1	1.172	0.78 (19.81)	1.35 (34.29)	0.87 (22.10)	1.39 (35.31)	2.56 (65.02)	1.08 (27.40)	3.30 (83.82)	TMCX125 1	TMCXM40 1
1 1/4"	125	40	M40	2	1.150	0.94 (23.87)	1.67 (42.41)	1.03 (26.16)	1.65 (41.91)	3.73 (94.74)	1.25 (31.75)	4.71 (119.63)	TMCX125 2	TMCXM40 2
1 1/2"	150	50	M50	1	1.370	0.94 (23.87)	1.67 (42.41)	1.03 (26.16)	1.65 (41.91)	3.73 (94.74)	1.25 (31.75)	4.71 (119.63)	TMCX150 1	TMCXM50 1
1 1/2"	150	50	M50	2	1.370	1.28 (32.51)	1.97 (50.03)	1.53 (38.86)	2.07 (52.58)	4.11 (104.39)	1.25 (31.75)	4.71 (119.63)	TMCX150 2	TMCXM50 2
2"	200	63	M63	1	1.760	1.28 (32.51)	1.97 (50.03)	1.53 (38.86)	2.07 (52.58)	4.11 (104.39)	1.25 (31.75)	4.71 (119.63)	TMCX200 1	TMCXM63 1
2"	200	63	M63	2	1.760	1.67 (42.41)	2.62 (66.54)	1.81 (45.97)	2.72 (69.09)	4.98 (126.49)	1.25 (31.75)	5.63 (143.00)	TMCX200 2	TMCXM63 2
2 1/2"	250	75	M75	1	2.140	1.67 (42.41)	2.62 (66.54)	1.81 (45.97)	2.72 (69.09)	4.98 (126.49)	1.81 (45.97)	5.63 (143.00)	TMCX250 1	TMCXM75 1
2 1/2"	250	75	M75	2	2.140	2.11 (53.59)	2.95 (74.93)	2.34 (59.44)	3.13 (79.50)	5.61 (142.49)	1.81 (45.97)	5.80 (147.32)	TMCX250 2	TMCXM75 2
3"	300	90	M90	1	2.690	2.11 (53.59)	2.95 (74.93)	2.34 (59.44)	3.13 (79.50)	5.61 (142.49)	1.81 (45.97)	5.80 (147.32)	TMCX300 1	TMCXM90 1
3"	300	90	M90	2	2.690	2.45 (62.23)	3.39 (86.10)	2.68 (68.07)	3.61 (91.69)	6.23 (158.24)	1.81 (45.97)	6.26 (159.00)	TMCX300 2	TMCXM90 2
3 1/2"	350	110	M110	1	3.130	2.45 (62.23)	3.39 (86.10)	2.68 (68.07)	3.61 (91.69)	6.23 (158.24)	1.94 (49.28)	6.26 (159.00)	TMCX350 1	TMCXM110 1
3 1/2"	350	110	M110	2	3.570	3.05 (77.47)	4.22 (107.18)	3.13 (79.50)	3.97 (100.84)	6.73 (170.94)	1.94 (49.28)	6.52 (165.61)	TMCX350 2	TMCXM110 2
4"	400	-	-	1	3.130	2.45 (62.23)	3.39 (86.10)	2.68 (68.07)	3.61 (91.69)	6.23 (158.24)	2.00 (50.80)	6.26 (159.00)	TMCX400 1	-
4"	400	-	-	2	3.570	3.05 (77.47)	4.22 (107.18)	3.13 (79.50)	3.97 (100.84)	6.73 (170.94)	2.00 (50.80)	6.52 (165.61)	TMCX400 2	-

All dimensions in inches, metric millimeters (mm) shown in parentheses

† When making your cable selection based on cable O.D., be sure to also observe the Over Conductors O.D. dimension.

‡ Minimum cable O.D. for CSA certification is 0.49 (12.45) for TMCX050 0 and TMCX075 0; 0.57 (14.48) for TMCX100 0.

Terminator™ II TMCX - accessories

Chico® LiquidSeal liquid compound

Mixing time: 2 minutes
 Application: pour/gun
 Gel time: 15-30 minutes*
 Full cure/return to service time: 2 hours*
 Available for installation in vertical position
 Integral dam means no packing or taping to prevent liquid



CHICO® LIQUIDSEAL LIQUID COMPOUND		
CATALOG NUMBER	SIZE (ml.)	STANDARD CARTON QUANTITY
LSC 10	10 ml.	10
LSC 20	20 ml.	10
LSC 75	75 ml.	5

Chico® LiquidSeal 200ml cartridge

Easily and quickly pour multiple glands
 Self-mixing nozzles
 Gel time: 15-30 minutes*
 Full cure/return to service time: 2 hours*
 Can be stored between uses**

*At +20°C ambient temperature

**Additional tips may be required



Applicator gun

Applicator gun available at many retailers - ask for 200ml dual cartridge applicator gun.



CHICO® LIQUIDSEAL LIQUID COMPOUND CARTRIDGE AND MIXING NOZZLES

CATALOG NUMBER	DESCRIPTION	STANDARD CARTON QUANTITY
LSC200CART	200 ml. LIQUID COMPOUND CARTRIDGE AND 3 MIXING NOZZLES	1
LSCTIP	REPLACEMENT MIXING NOZZLES	5

TSC epoxy sealing compound

Mixing time: 5 minutes
 Application: by hand
 Full cure time: 24 hours
 Available for installation in any orientation



TSC EPOXY SEALING COMPOUND

CATALOG NUMBER	SIZE (ml.)	STANDARD CARTON QUANTITY
TSC05	0.5 oz.	10
TSC1	1.0 oz.	10
TSC4	4.0 oz.	5

Cold Shrink™ corrosion protection kits

COLD SHRINK TABLE

THREAD ENTRY SIZE NPT (TMCX, TMC)	CATALOG NUMBER NPT TMCX II	CATALOG NUMBER ISO TMCX II	COLD SHRINK KIT
1/2"	TMCX050 0	TMCXM20 0	TMC-K1
1/2"	TMCX050 1	TMCXM20 1	TMC-K1
1/2"	TMCX050 2	TMCXM20 2	TMC-K1
3/4"	TMCX075 0	TMCXM25 0	TMC-K2
3/4"	TMCX075 1	TMCXM25 1	TMC-K2
3/4"	TMCX075 2	TMCXM25 2	TMC-K2
1"	TMCX100 0	TMCXM32 0	TMC-K3
1"	TMCX100 1	TMCXM32 1	TMC-K3
1"	TMCX100 2	TMCXM32 2	TMC-K3
1 1/4"	TMCX125 1	TMCXM40 1	TMC-K4
1 1/4"	TMCX125 2	TMCXM40 2	TMC-K4
1 1/2"	TMCX150 1	TMCXM50 1	TMC-K5
1 1/2"	TMCX150 2	TMCXM50 2	TMC-K5
2"	TMCX200 1	TMCXM63 1	TMC-K6
2"	TMCX200 2	TMCXM63 2	TMC-K6
2 1/2"	TMCX250 1	TMCXM75 1	TMC-K7
2 1/2"	TMCX250 2	TMCXM75 2	TMC-K7
3"	TMCX300 1	TMCXM90 1	TMC-K8
3"	TMCX300 2	TMCXM90 2	TMC-K8
3 1/2"	TMCX350 1	TMCXM110 1	TMC-K9
3 1/2"	TMCX350 2	TMCXM110 2	TMC-K9
4"	TMCX400 1	-	TMC-K10
4"	TMCX400 2	-	TMC-K10

For TMCX and TMC ordering codes, see the relevant product pages.

Cold Shrink™ Corrosion Protection Kits are specially designed for Crouse-Hinds TMC, TMCX and TECK fittings to provide protection against corrosive elements like salt spray and moisture.

The TMC-K kit is made of a Cold Shrink material that is quick and easy to install on the gland. The Cold Shrink material is made of EPDM rubber that contains no chlorides or sulphurs. The protection kit installs easily over the gland without the use of a heat source to shrink the material tightly over the seal. The Cold Shrink material can be removed easily from the gland by simply cutting it off.

See ordering information for complete offering of TMC-K Cold Shrink kits for corrosion protection. Cold Shrink is a registered trademark of the 3M Company.

TMCX - for armoured / non-armoured cable

Technical specification



Suitable for the following cable types:

Metal clad cable: MC, MC-HL

Tray cable: TC

Operating temperature:

-25°C to +60°C

Material:

Aluminum as standard material with neoprene seal, brass and nickel-plated brass available as an option.

Features:

Stainless steel copper-plated spring provides grounding continuity of cable armour (MC cable only).

Provides explosionproof compound seal on conductors and watertight seal on outer sheath of cable.

Cold Shrink™ Kit is available for extra protection in aggressive environments.

Available with TSC epoxy sealing compound.

Ingress protection (IP):

IP56, NEMA 4

Certifications and compliances:

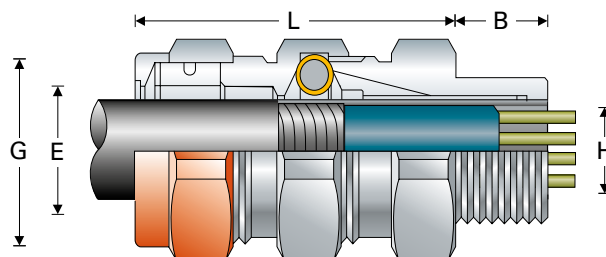
Class I Division 1 groups A, B, C, D

Class II

Class III

UL Listed: E122485

CSA Listed: LR13046



SELECTION TABLE		DIMENSIONS					CATALOG NUMBER ALUMINUM	COLD SHRINK KIT	
THREAD SIZE	ARMOUR RANGE 'H' MIN - MAX	OUTER SHEATH 'E' MIN - MAX	ACROSS FLATS	ACROSS CORNERS 'G'	L (LENGTH)	THREAD LENGTH 'B'		ENTRY THREAD	CATALOG NUMBER
NPT									
1/2"	0.44 - 0.65	0.49 - 0.78	1.25	1.38	2.63	0.75	TMCX165	1/2"	TMC-K1
3/4"	0.60 - 0.85	0.65 - 1.00	1.50	1.63	2.88	0.78	TMCX285	3/4"	TMC-K2
1"	0.80 - 1.12	0.85 - 1.31	1.88	2.00	3.13	0.94	TMCX3112	1"	TMC-K3
1 1/4"	1.10 - 1.40	1.15 - 1.62	2.25	2.44	3.13	0.97	TMCX4140	1 1/4"	TMC-K4
1 1/2"	1.33 - 1.61	1.38 - 1.78	2.50	2.75	3.38	0.97	TMCX5161	1 1/2"	TMC-K5
2"	1.57 - 2.06	1.63 - 2.31	3.25	3.50	5.31	1.00	TMCX6206	2"	TMC-K6
2 1/2"	1.93 - 2.47	1.99 - 2.72	3.75	4.00	6.06	1.44	TMCX7247	2 1/2"	TMC-K7
3"	2.45 - 3.02	2.52 - 3.28	4.50	4.88	6.06	1.44	TMCX8302	3"	TMC-K8
3 1/2"	2.95 - 3.52	3.02 - 3.78	5.00	5.38	7.75	1.63	TMCX9352	3 1/2"	TMC-K9
4"	3.50 - 4.02	3.58 - 4.28	5.50	5.88	8.31	1.63	TMCX10402	4"	TMC-K10

All dimensions in inches unless otherwise stated.

Ex certified reducers / adapters

REDUCER / ADAPTER - METRIC - SELECTION TABLE

		FEMALE											
MALE	M12	M16	M20	M25	M32	M40	M50	M63	M75	M80	M90	M100	M110
M12	CAP745324	CAP745334	CAP741034										
M16	CAP745834	CAP740014	CAP740274	CAP741064									
M20	CAP745844	CAP740024	CAP740284	CAP740544	CAP740804								
M25	CAP746594	CAP740034	CAP740294	CAP740554	CAP740814	CAP741134							
M32	CAP746604	CAP740044	CAP740304	CAP740564	CAP740824	CAP741084	CAP741914						
M40	CAP746614	CAP740054	CAP740314	CAP740574	CAP740834	CAP741094	CAP741354	CAP743644					
M50	CAP746624	CAP740064	CAP740324	CAP740584	CAP740844	CAP741104	CAP741364	CAP741624	CAP745114				
M63	CAP746634	CAP740074	CAP740334	CAP740594	CAP740854	CAP741114	CAP741374	CAP741634	CAP741894	CAP746944			
M75	CAP746644	CAP740084	CAP740344	CAP740604	CAP740864	CAP741124	CAP741384	CAP741644	CAP741904	CAP742414	CAP745394		
M80	CAP746654	CAP746694	CAP746734	CAP746774	CAP746814	CAP746414	CAP745824	CAP745754	CAP748074	CAP742424	CAP746074	CAP746334	
M90	CAP746664	CAP746704	CAP746744	CAP746784	CAP747914	CAP746854	CAP746384	CAP745854	CAP745864	CAP745464	CAP745474	CAP745484	CAP746344
M100	CAP746674	CAP746714	CAP747894	CAP746794	CAP747924	CAP746864	CAP746394	CAP746364	CAP745874	CAP746194	CAP745914	CAP745494	CAP745554
M110	CAP746684	CAP746724	CAP747904	CAP746804	CAP747934	CAP746874	CAP746404	CAP746374	CAP746354	CAP746204	CAP745924	CAP745934	CAP745564



REDUCER / ADAPTER - METRIC / NPT - SELECTION TABLE

		FEMALE											
MALE	1/4"	3/8"	1/2"	3/4"	1"	1 1/4"	1 1/2"	2"	2 1/2"	3"	3 1/2"	4"	
M12	CAP744104	CAP747794	CAP747804										
M16	CAP744184	CAP744194	CAP744694	CAP747814									
M20	CAP744204	CAP744214	CAP744704	CAP744964	CAP747824								
M25	CAP746884	CAP742954	CAP744714	CAP744974	CAP745234	CAP747834							
M32	CAP746894	CAP746984	CAP744724	CAP744984	CAP745244	CAP745504	CAP745764						
M40	CAP746904	CAP746994	CAP744734	CAP744994	CAP745254	CAP745514	CAP745774	CAP747844					
M50	CAP746914	CAP747004	CAP744744	CAP745004	CAP745264	CAP745524	CAP745784	CAP746044	CAP746304				
M63	CAP746924	CAP747014	CAP744754	CAP745014	CAP745274	CAP745534	CAP745794	CAP746054	CAP746314	CAP747854			
M75	CAP746934	CAP747024	CAP744764	CAP745024	CAP745284	CAP745544	CAP745804	CAP746064	CAP746324	CAP746584	CAP747864		
M80	CAP747884	CAP747034	CAP747074	CAP746514	CAP745294	CAP746474	CAP746434	CAP746114	CAP746144	CAP746184	CAP747874	CAP747874	
M90	CAP746954	CAP747044	CAP747084	CAP746524	CAP745304	CAP746554	CAP746444	CAP744284	CAP744294	CAP744304	CAP744314	CAP746264	
M100	CAP746964	CAP747054	CAP747094	CAP746534	CAP745314	CAP746564	CAP746454	CAP746124	CAP743134	CAP746034	CAP744434	CAP744444	
M110	CAP746974	CAP747064	CAP747104	CAP746544	CAP747114	CAP746574	CAP746464	CAP746134	CAP746174	CAP744514	CAP744524	CAP744534	



REDUCER / ADAPTER - NPT / NPT - SELECTION TABLE

		FEMALE											
MALE	1/4"	3/8"	1/2"	3/4"	1"	1 1/4"	1 1/2"	2"	2 1/2"	3"	3 1/2"	4"	
1/4"	CAP744574	CAP744584	CAP747704										
3/8"	CAP745574	CAP744614	CAP744624	CAP747714									
1/2"	CAP745584	CAP745594	CAP744874	CAP745134	CAP747724								
3/4"	CAP747124	CAP745604	CAP744884	CAP745144	CAP745404	CAP747734							
1"	CAP747134	CAP747214	CAP744894	CAP745154	CAP745414	CAP745674	CAP745814						
1 1/4"	CAP747144	CAP747224	CAP744904	CAP745164	CAP745424	CAP745684	CAP745944	CAP747744					
1 1/2"	CAP747154	CAP747234	CAP744914	CAP745174	CAP745434	CAP745694	CAP745954	CAP746214	CAP747754				
2"	CAP747164	CAP747244	CAP744924	CAP745184	CAP745444	CAP745704	CAP745964	CAP746224	CAP746484	CAP747764			
2 1/2"	CAP747174	CAP747254	CAP744934	CAP745194	CAP745454	CAP745714	CAP745974	CAP746234	CAP746494	CAP746754	CAP747774		
3"	CAP747184	CAP747264	CAP744944	CAP745204	CAP746084	CAP745724	CAP745984	CAP746244	CAP746504	CAP746764	CAP744634	CAP747784	
3 1/2"	CAP747194	CAP747274	CAP747314	CAP747334	CAP746094	CAP747354	CAP746284	CAP746254	CAP745654	CAP745664	CAP744644	CAP744654	
4"	CAP747204	CAP747284	CAP747324	CAP747344	CAP746104	CAP747364	CAP746294	CAP746824	CAP746274	CAP746834	CAP745734	CAP744774	



REDUCER / ADAPTER - NPT / ISO - SELECTION TABLE

		FEMALE											
MALE	M12	M16	M20	M25	M32	M40	M50	M63	M75	M80	M90	M100	M110
1/4"	CAP740614	CAP740624	CAP747624										
3/8"	CAP740884	CAP740894	CAP740904	CAP747634									
1/2"	CAP740914	CAP740194	CAP740454	CAP740714	CAP747644								
3/4"	CAP747374	CAP740204	CAP740464	CAP740724	CAP740984	CAP747654							
1"	CAP747384	CAP740214	CAP740474	CAP740734	CAP740994	CAP741254	CAP747664						
1 1/4"	CAP747394	CAP740224	CAP740484	CAP740744	CAP741004	CAP741264	CAP741524	CAP747674					
1 1/2"	CAP747404	CAP740234	CAP740494	CAP740754	CAP741014	CAP741274	CAP741534	CAP741794	CAP747684				
2"	CAP747414	CAP740244	CAP740504	CAP740764	CAP741024	CAP741284	CAP741544	CAP741804	CAP742064	CAP747694			
2 1/2"	CAP747424	CAP740254	CAP740514	CAP740774	CAP741144	CAP741294	CAP741554	CAP741814	CAP742074	CAP742074	CAP741154		
3"	CAP747434	CAP740264	CAP740524	CAP740784	CAP741044	CAP741304	CAP741564	CAP741824	CAP742084	CAP747594	CAP741244	CAP741314	
3 1/2"	CAP747444	CAP747464	CAP747484	CAP747504	CAP747524	CAP747544	CAP747564	CAP747584	CAP741434	CAP747604	CAP741444	CAP741454	CAP741494
4"	CAP747454	CAP747474	CAP747494	CAP747514	CAP747534	CAP747554	CAP747574	CAP742404	CAP742394	CAP747614	CAP741584	CAP741594	CAP741604



LAST CODE DIGIT 9: Stainless steel 316L

For a more extensive range of certified thread conversion products, consult our Raxton and Redapt product offering.

LAST CODE DIGIT 7: Aluminum

Ex certified stopping plugs

ISO - METRIC SELECTION TABLE		
STOPPING PLUG		NICKEL-PLATED BRASS CATALOG NUMBER
THREAD SIZE	E	
12	15.0	CAP190124
16	15.0	CAP190164
20	15.0	CAP190204
25	15.0	CAP190254
32	15.0	CAP190324
40	15.0	CAP190404
50	15.0	CAP190504
63	15.0	CAP190634
75	15.0	CAP190754
90	20.0	CAP199904
100	20.0	CAP191004
110	20.0	CAP191014

All dimensions in mm.

NPT - SELECTION TABLE		
STOPPING PLUG		NICKEL-PLATED BRASS CATALOG NUMBER
THREAD SIZE	E	
1/4"	15.5	CAP190194
3/8"	15.5	CAP190294
1/2"	20.2	CAP190394
3/4"	20.5	CAP190494
1"	25.3	CAP190594
1 1/4"	26.0	CAP190694
1 1/2"	26.5	CAP190794
2"	27.2	CAP190894
2 1/2"	40.5	CAP190994
3"	42.0	CAP191094
3 1/2"	43.2	CAP191194
4"	44.0	CAP191294

All dimensions in mm.

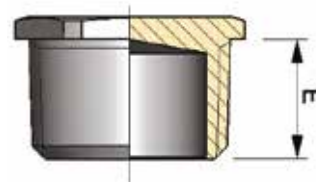


ISO - METRIC SELECTION TABLE		
STOPPING PLUG		STAINLESS STEEL 316L CATALOG NUMBER
THREAD SIZE	E	
12	17.0	CAP190129
16	17.0	CAP190169
20	17.0	CAP190209
25	17.0	CAP190259
32	17.0	CAP190329
40	17.0	CAP190409
50	17.0	CAP190509
63	17.0	CAP190639
75	17.0	CAP190759
90	22.0	CAP199909
100	22.0	CAP191009
110	22.0	CAP191019

All dimensions in mm.

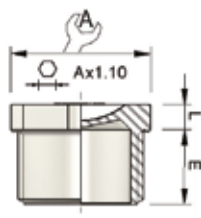
NPT - SELECTION TABLE		
STOPPING PLUG		STAINLESS STEEL 316L CATALOG NUMBER
THREAD SIZE	E	
1/4"	15.5	CAP190199
3/8"	15.5	CAP109299
1/2"	20.2	CAP190399
3/4"	20.5	CAP190499
1"	25.3	CAP190599
1 1/4"	26.0	CAP190699
1 1/2"	26.5	CAP190799
2"	27.2	CAP190899
2 1/2"	40.5	CAP190999
3"	42.0	CAP191099
3 1/2"	43.2	CAP191199
4"	44.0	CAP191299

All dimensions in mm.



ISO - METRIC SELECTION TABLE				
STOPPING PLUG				POLYAMIDE CATALOG NUMBER
THREAD SIZE	A	L	E	
12	15.0	4.0	15.0	CAP191127
16	19.0	4.0	15.0	CAP191167
20	23.0	4.0	15.0	CAP191207
25	28.0	5.0	15.0	CAP191257
32	36.0	5.5	15.0	CAP191327
40	44.0	5.5	15.0	CAP191407
50	54.0	6.0	16.0	CAP191507
63	67.0	6.5	17.0	CAP191637

All dimensions in mm.





Cable glands and thread conversion products for non-hazardous areas



Capri IGA2 - for non-armoured cable

Technical specification



Function:

The IGA2 cable gland provides mechanical retention and a weatherproof seal on the outer sheath of the cable.

Suitable for the following cable types:

➡ Non-armoured cable

Application:

Suitable for indoor and outdoor applications

Operating temperature:

-40°C to +80°C

Material:

Brass, nickel-plated brass

Ingress protection (IP):

IP66

Certifications and compliances:

B.S. 6121 Part 1: 1989

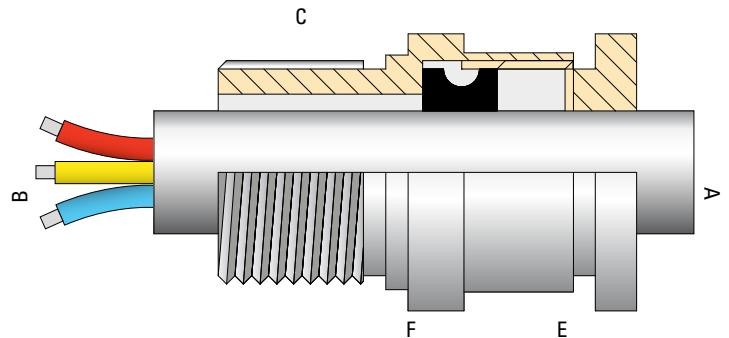
EN 62444 2013

EAC certificate no: RU C-GB.AJ32.B.04663



The gland kit comprises of:

- Gland
- Shroud
- Earth tag
- Locknut
- IP washer



GLAND SIZE	ISO	ISO CATALOG NUMBER NATURAL BRASS (IN GLAND KIT)	ISO CATALOG NUMBER NICKEL-PLATED (IN GLAND KIT)	SELECTION TABLE						NPT CATALOG NUMBER NATURAL BRASS (IN GLAND KIT)	NPT CATALOG NUMBER NICKEL-PLATED (IN GLAND KIT)
				ENTRY THREAD		DIA. MIN - MAX A	E ACROSS FLAT	F ACROSS FLAT	NPT		
				B	C						
20S	M20	IGA2M201BRNK2	IGA2M201NPNK2	20	15	8.00 - 11.40	22.00	22.00	1/2"	IGA2N0501BRNK2	IGA2N0501NPNK2
20L	M20	IGA2M202BRNK2	IGA2M202NPNK2	20	15	11.00 - 13.80	24.00	24.00	1/2"	IGA2N0502BRNK2	IGA2N0502NPNK2
25S	M25	IGA2M251BRNK2	IGA2M251NPNK2	25	15	12.50 - 17.50	27.00	27.00	3/4"	IGA2N0751BRNK2	IGA2N0751NPNK2
25L	M25	IGA2M252BRNK2	IGA2M252NPNK2	25	15	14.00 - 19.80	29.30	29.30	3/4"	IGA2N0752BRNK2	IGA2N0752NPNK2
32S	M32	IGA2M321BRNK2	IGA2M321NPNK2	32	15	18.00 - 22.80	34.50	34.50	1"	IGA2N1001BRNK2	IGA2N1001NPNK2
32L	M32	IGA2M322BRNK2	IGA2M322NPNK2	32	15	20.00 - 25.80	38.80	38.80	1"	IGA2N1002BRNK2	IGA2N1002NPNK2
40S	M40	IGA2M401BRNK2	IGA2M401NPNK2	40	20	23.50 - 29.00	42.50	42.50	1 1/4"	IGA2N1251BRNK2	IGA2N1251NPNK2
40L	M40	IGA2M402BRNK2	IGA2M402NPNK2	40	20	26.00 - 32.50	45.50	45.50	1 1/4"	IGA2N1252BRNK2	IGA2N1252NPNK2
50S	M50	IGA2M501BRNK2	IGA2M501NPNK2	50	20	32.00 - 39.00	55.50	55.50	1 1/2"	IGA2N1501BRNK2	IGA2N1501NPNK2
50L	M50	IGA2M502BRNK2	IGA2M502NPNK2	50	20	37.00 - 43.50	61.50	61.50	1 1/2"	IGA2N1502BRNK2	IGA2N1502NPNK2
63S	M63	IGA2M631BRNK2	IGA2M631NPNK2	63	20	43.50 - 49.50	65.50	65.50	2"	IGA2N2001BRNK2	IGA2N2001NPNK2
63L	M63	IGA2M632BRNK2	IGA2M632NPNK2	63	20	49.50 - 55.50	71.50	71.50	2"	IGA2N2002BRNK2	IGA2N2002NPNK2
75S	M75	IGA2M751BRNK2	IGA2M751NPNK2	75	20	55.00 - 61.50	77.00	77.00	2 1/2"	IGA2N2501BRNK2	IGA2N2501NPNK2
75L	M75	IGA2M752BRNK2	IGA2M752NPNK2	75	20	61.50 - 67.50	85.50	85.50	2 1/2"	IGA2N2502BRNK2	IGA2N2502NPNK2
90L	M90	IGA2M902BRNK2	IGA2M902NPNK2	90	20	67.50 - 79.50	100.00	100.00	3"	IGA2N3002BRNK2	IGA2N3002NPNK2

To order gland only, remove suffix "K2" from end of reference number. All dimensions in mm.
Other sizes available on request.

Capri IGBW cable gland - for armoured cable

Technical specification



Function:

The IGBW cable gland provides mechanical retention and earth continuity through armour wire termination.

Suitable for the following cable types:

Single wire armoured cable (SWA)

Application:

Suitable for indoor applications

Operating temperature:

-40°C to +80°C

Material:

Brass, nickel-plated brass

Ingress protection (IP):

IP54

Certifications and compliances:

B.S. 6121 Part 1: 1989

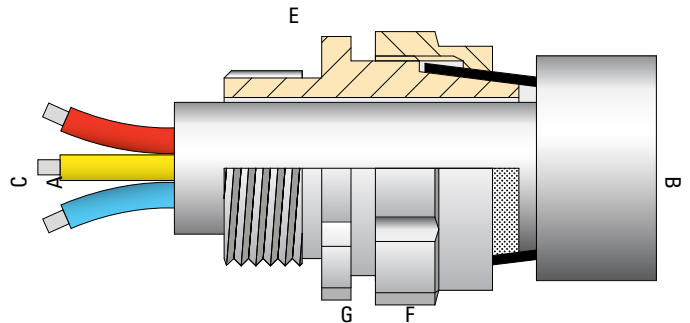
EN 62444 2013

EAC certificate no: RU C-GB.A132.B.04663



The gland kit comprises of:

- Gland
- Shroud
- Earth tag
- Locknut
- IP washer



GLAND SIZE	ISO	ISO CATALOG NUMBER NATURAL BRASS (IN GLAND KIT)	ISO CATALOG NUMBER NICKEL-PLATED (IN GLAND KIT)	SELECTION TABLE								NPT CATALOG NUMBER NATURAL BRASS (IN GLAND KIT)	NPT CATALOG NUMBER NICKEL-PLATED (IN GLAND KIT)
				ENTRY THREAD		CABLE DIMENSION ACCOMMODATION			F ACROSS FLAT	G ACROSS FLAT	NPT		
				DIA C	MIN LENGTH E	DIA. MAX A	DIA. MAX B	ARMOUR THICKNESS					
20S	M20	IGBWM201BRNK2	IGBWM201NPNK2	20	10	11.50	16.00	0.90 / 1.25	21.00	21.00	1/2"	IGBWN0501BRNK2	IGBWN0501NPNK2
20L	M20	IGBWM202BRNK2	IGBWM202NPNK2	20	10	14.00	19.50	0.90 / 1.25	25.00	24.00	1/2"	IGBWN0502BRNK2	IGBWN0502NPNK2
25L	M25	IGBWM252BRNK2	IGBWM252NPNK2	25	10	20.50	26.00	1.25 / 1.60	32.40	31.20	3/4"	IGBWN0752BRNK2	IGBWN0752NPNK2
32L	M32	IGBWM322BRNK2	IGBWM322NPNK2	32	10	26.00	33.00	1.60 / 2.00	40.50	39.50	1"	IGBWN1002BRNK2	IGBWN1002NPNK2
40L	M40	IGBWM402BRNK2	IGBWM402NPNK2	40	15	33.00	40.50	1.60 / 2.00	49.00	48.00	1 1/4"	IGBWN1252BRNK2	IGBWN1252NPNK2
50L	M50	IGBWM502BRNK2	IGBWM502NPNK2	50	15	43.50	52.00	2.00 / 2.50	61.00	60.50	1 1/2"	IGBWN1502BRNK2	IGBWN1502NPNK2
63L	M63	IGBWM632BRNK2	IGBWM632NPNK2	63	15	55.50	65.50	2.50	76.00	76.00	2"	IGBWN2002BRNK2	IGBWN2002NPNK2
75L	M75	IGBWM752BRNK2	IGBWM752NPNK2	75	15	68.00	78.00	2.50	88.00	88.00	2 1/2"	IGBWN2502BRNK2	IGBWN2502NPNK2

To order gland only, remove suffix "K2" from end of reference number. All dimensions in mm.
Other sizes available on request.



CHS Controls AB
Tel +46 42 38 61 00, Fax +46 42 38 61 29
chs@chscontrols.se www.chscontrols.se

Capri IGCW cable gland - for armoured cable

Technical specification



Function:

The IGCW cable gland provides mechanical retention, a weatherproof seal on the outer sheath of the cable and earth continuity through armour wire termination.

Suitable for the following cable types:

Single wire armoured cable (SWA)

Application:

Suitable for indoor and outdoor applications

Operating temperature:

-40°C to +80°C

Material:

Brass, nickel-plated brass

Ingress protection (IP):

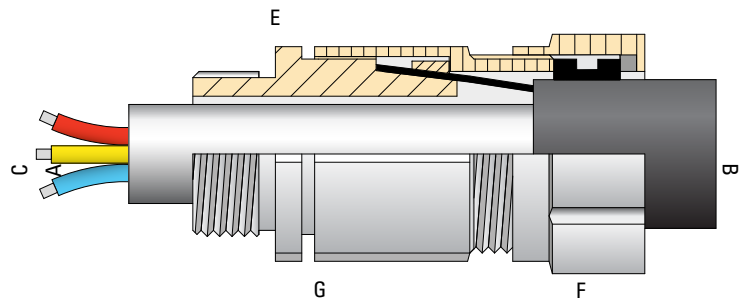
IP65

Certifications and compliances:

B.S. 6121 Part 1: 1989

EN 62444 2013

EAC certificate no: RU C-GB.A132.B.04663



The gland kit comprises of:

- Gland
- Shroud
- Earth tag
- Locknut
- IP washer



GLAND SIZE	ISO	ISO CATALOG NUMBER NATURAL BRASS (IN GLAND KIT)	ISO CATALOG NUMBER NICKEL-PLATED (IN GLAND KIT)	SELECTION TABLE								NPT CATALOG NUMBER NATURAL BRASS (IN GLAND KIT)	NPT CATALOG NUMBER NICKEL-PLATED (IN GLAND KIT)
				ENTRY THREAD		CABLE DIMENSION ACCOMMODATION			F ACROSS FLAT	G ACROSS FLAT	NPT		
				DIA C	MIN LENGTH E	MAX A	MIN - MAX B	ARMOUR THICKNESS					
20S	M20	IGCWM201BRNK2	IGCWM201NPNK2	20	10	11.50	12.00 - 15.90	0.90	22.00	21.50	1/2"	IGCWN0501BRNK2	IGCWN0501NPNK2
20L	M20	IGCWM202BRNK2	IGCWM202NPNK2	20	10	14.00	15.50 - 19.50	0.90 / 1.25	26.00	25.00	1/2"	IGCWN0502BRNK2	IGCWN0502NPNK2
25S	M25	IGCWM251BRNK2	IGCWM251NPNK2	25	10	17.50	18.00 - 23.00	1.25	31.50	31.50	3/4"	IGCWN0751BRNK2	IGCWN0751NPNK2
25L	M25	IGCWM252BRNK2	IGCWM252NPNK2	25	10	20.00	22.00 - 25.80	1.25 / 1.60	34.00	33.00	3/4"	IGCWN0752BRNK2	IGCWN0752NPNK2
32S	M32	IGCWM321BRNK2	IGCWM321NPNK2	32	10	23.50	25.00 - 29.50	1.60	38.50	37.50	1"	IGCWN1001BRNK2	IGCWN1001NPNK2
32L	M32	IGCWM322BRNK2	IGCWM322NPNK2	32	10	26.00	26.50 - 32.00	1.60 / 2.00	41.00	40.00	1"	IGCWN1002BRNK2	IGCWN1002NPNK2
40S	M40	IGCWM401BRNK2	IGCWM401NPNK2	40	15	29.00	32.00 - 36.50	1.60	45.70	44.70	1 1/4"	IGCWN1251BRNK2	IGCWN1251NPNK2
40L	M40	IGCWM402BRNK2	IGCWM402NPNK2	40	15	32.50	33.50 - 40.30	1.60 / 2.00	49.70	48.70	1 1/4"	IGCWN1252BRNK2	IGCWN1252NPNK2
50S	M50	IGCWM501BRNK2	IGCWM501NPNK2	50	15	39.50	40.00 - 46.20	2.00	57.50	56.50	1 1/2"	IGCWN1501BRNK2	IGCWN1501NPNK2
50L	M50	IGCWM502BRNK2	IGCWM502NPNK2	50	15	43.50	46.00 - 51.70	2.00 / 2.50	62.00	61.00	1 1/2"	IGCWN1502BRNK2	IGCWN1502NPNK2
63S	M63	IGCWM631BRNK2	IGCWM631NPNK2	63	15	50.00	51.50 - 59.00	2.50	70.00	69.00	2"	IGCWN2001BRNK2	IGCWN2001NPNK2
63L	M63	IGCWM632BRNK2	IGCWM632NPNK2	63	15	56.00	59.00 - 65.50	2.50	78.50	77.50	2"	IGCWN2002BRNK2	IGCWN2002NPNK2
75S	M75	IGCWM751BRNK2	IGCWM751NPNK2	75	15	62.00	65.50 - 71.50	2.50	85.00	84.00	2 1/2"	IGCWN2501BRNK2	IGCWN2501NPNK2
75L	M75	IGCWM752BRNK2	IGCWM752NPNK2	75	15	68.00	71.50 - 77.50	2.50	92.00	92.00	2 1/2"	IGCWN2502BRNK2	IGCWN2502NPNK2

To order gland only, remove suffix "K2" from end of reference number. All dimensions in mm. Other sizes available on request.

Capri IGCX cable gland - for armoured cable

Technical specification



Function:

The IGCX cable gland provides mechanical retention, a weatherproof seal on the outer sheath of the cable and earth continuity through armour wire termination.

Suitable for the following cable types:

- Wire braid armoured cable (SWB)
- Steel tape armoured cable (STA)

Application:

Suitable for indoor and outdoor applications

Operating temperature:

-40°C to +80°C

Material:

Brass, nickel-plated brass

Ingress protection (IP):

IP65

Certifications and compliances:

B.S. 6121 Part 1: 1989

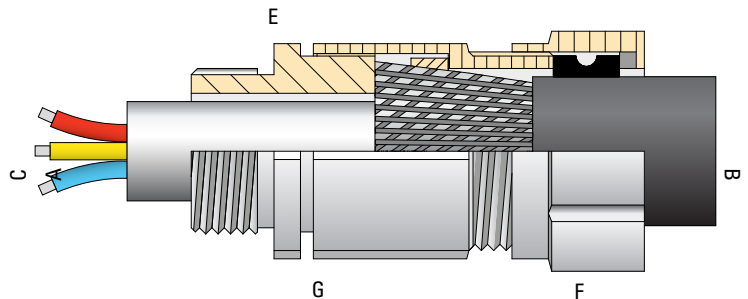
EN 62444 2013

EAC certificate no: RU C-GB.AJ132.B.04663



The gland kit comprises of:

- Gland
- Shroud
- Earth tag
- Locknut
- IP washer



GLAND SIZE	ISO	ISO CATALOG NUMBER NATURAL BRASS (IN GLAND KIT)	ISO CATALOG NUMBER NICKEL-PLATED (IN GLAND KIT)	SELECTION TABLE								NPT CATALOG NUMBER NATURAL BRASS (IN GLAND KIT)	NPT CATALOG NUMBER NICKEL-PLATED (IN GLAND KIT)
				ENTRY THREAD		CABLE DIMENSION ACCOMMODATION			F ACROSS FLAT	G ACROSS FLAT	NPT		
				DIA C	MIN LENGTH E	MIN - MAX A	MIN - MAX B	ARMOUR THICKNESS					
20S	M20	IGCXM201BRNK2	IGCXM201NPNK2	20	10	11.50	12.00 - 15.90	0.40 / 0.80	22.00	21.50	1/2"	IGCXN0501BRNK2	IGCXN0501NPNK2
20L	M20	IGCXM202BRNK2	IGCXM202NPNK2	20	10	14.00	15.50 - 19.50	0.60 / 1.00	26.00	25.00	1/2"	IGCXN0502BRNK2	IGCXN0502NPNK2
25S	M25	IGCXM251BRNK2	IGCXM251NPNK2	25	10	17.50	18.00 - 23.00	0.60 / 1.10	31.50	31.50	3/4"	IGCXN0751BRNK2	IGCXN0751NPNK2
25L	M25	IGCXM252BRNK2	IGCXM252NPNK2	25	10	20.00	22.00 - 25.80	0.60 / 1.10	34.00	33.00	3/4"	IGCXN0752BRNK2	IGCXN0752NPNK2
32S	M32	IGCXM321BRNK2	IGCXM321NPNK2	32	10	23.50	25.00 - 29.50	0.60 / 1.20	38.50	37.50	1"	IGCXN1001BRNK2	IGCXN1001NPNK2
32L	M32	IGCXM322BRNK2	IGCXM322NPNK2	32	10	26.00	26.50 - 32.00	0.60 / 1.20	41.00	40.00	1"	IGCXN1002BRNK2	IGCXN1002NPNK2
40S	M40	IGCXM401BRNK2	IGCXM401NPNK2	40	15	29.00	32.00 - 36.50	0.60 / 1.20	45.70	44.70	1 1/4"	IGCXN1251BRNK2	IGCXN1251NPNK2
40L	M40	IGCXM402BRNK2	IGCXM402NPNK2	40	15	32.50	33.50 - 40.30	0.60 / 1.20	49.70	48.70	1 1/4"	IGCXN1252BRNK2	IGCXN1252NPNK2
50S	M50	IGCXM501BRNK2	IGCXM501NPNK2	50	15	39.50	40.00 - 46.20	0.60 / 1.50	57.50	56.50	1 1/2"	IGCXN1501BRNK2	IGCXN1501NPNK2
50L	M50	IGCXM502BRNK2	IGCXM502NPNK2	50	15	43.50	46.00 - 51.70	0.80 / 1.50	62.00	61.00	1 1/2"	IGCXN1502BRNK2	IGCXN1502NPNK2
63S	M63	IGCXM631BRNK2	IGCXM631NPNK2	63	15	50.00	51.50 - 59.00	0.80 / 1.50	70.00	69.00	2"	IGCXN2001BRNK2	IGCXN2001NPNK2
63L	M63	IGCXM632BRNK2	IGCXM632NPNK2	63	15	56.00	59.00 - 65.50	0.80 / 1.50	78.50	77.50	2"	IGCXN2002BRNK2	IGCXN2002NPNK2
75S	M75	IGCXM751BRNK2	IGCXM751NPNK2	75	15	62.00	65.50 - 71.50	0.80 / 1.50	85.00	84.00	2 1/2"	IGCXN2501BRNK2	IGCXN2501NPNK2
75L	M75	IGCXM752BRNK2	IGCXM752NPNK2	75	15	68.00	71.50 - 77.50	0.80 / 1.50	92.00	92.00	2 1/2"	IGCXN2502BRNK2	IGCXN2502NPNK2

To order gland only, remove suffix "K2" from end of reference number. All dimensions in mm. Other sizes available on request.

Capri IGE1W cable gland - for armoured cable

Technical specification



Function:

The IGE1W cable gland provides mechanical retention, a weatherproof seal on the inner and outer sheath of the cable and earth continuity.

Suitable for the following cable types:

Single wire armoured cable (SWA)

Application:

Suitable for indoor and outdoor applications

Operating temperature:

-40°C to +80°C

Material:

Brass, nickel-plated brass

Ingress protection (IP):

IP66

Certifications and compliances:

B.S. 6121 Part 1: 1989

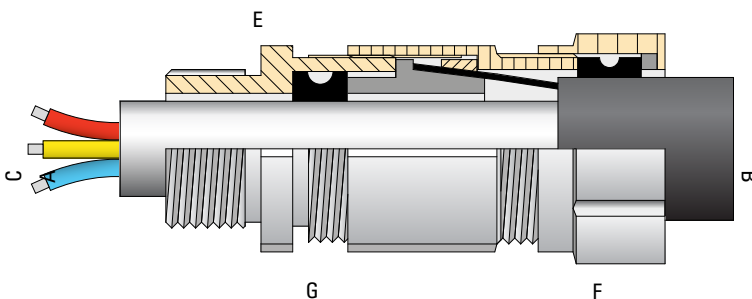
EN 62444 2013

EAC certificate no: RU C-GB.A1J32.B.04663



The gland kit comprises of:

- Gland
- Shroud
- Earth tag
- Locknut
- IP washer



GLAND SIZE	ISO	ISO CATALOG NUMBER NATURAL BRASS (IN GLAND KIT)	ISO CATALOG NUMBER NICKEL-PLATED (IN GLAND KIT)	SELECTION TABLE							NPT CATALOG NUMBER NATURAL BRASS (IN GLAND KIT)	NPT CATALOG NUMBER NICKEL-PLATED (IN GLAND KIT)	
				ENTRY THREAD		CABLE DIMENSION ACCOMMODATION			F ACROSS FLAT	G ACROSS FLAT			NPT
				DIA C	MIN LENGTH E	MIN - MAX A	MIN - MAX B	ARMOUR THICKNESS					
20S	M20	IGE1WM201BRNK2	IGE1WM201NPNK2	20	10	8.00 - 11.40	12.00 - 15.90	0.90	22.00	22.00	1/2"	IGE1WN0501BRNK2	IGE1WN0501NPNK2
20L	M20	IGE1WM202BRNK2	IGE1WM202NPNK2	20	10	11.00 - 13.90	15.50 - 19.50	0.90 / 1.25	26.00	26.00	1/2"	IGE1WN0502BRNK2	IGE1WN0502NPNK2
25S	M25	IGE1WM251BRNK2	IGE1WM251NPNK2	25	10	12.50 - 17.50	18.00 - 23.00	1.25	31.50	31.50	3/4"	IGE1WN0751BRNK2	IGE1WN0751NPNK2
25L	M25	IGE1WM252BRNK2	IGE1WM252NPNK2	25	10	14.00 - 19.80	22.00 - 25.80	1.25 / 1.60	34.00	34.00	3/4"	IGE1WN0752BRNK2	IGE1WN0752NPNK2
32S	M32	IGE1WM321BRNK2	IGE1WM321NPNK2	32	10	18.00 - 22.80	25.00 - 29.50	1.60	38.50	38.50	1"	IGE1WN1001BRNK2	IGE1WN1001NPNK2
32L	M32	IGE1WM322BRNK2	IGE1WM322NPNK2	32	10	20.00 - 25.80	26.50 - 32.00	1.60 / 2.00	41.00	41.00	1"	IGE1WN1002BRNK2	IGE1WN1002NPNK2
40S	M40	IGE1WM401BRNK2	IGE1WM401NPNK2	40	15	23.50 - 29.00	32.00 - 36.50	1.60	45.70	45.70	1 1/4"	IGE1WN1251BRNK2	IGE1WN1251NPNK2
40L	M40	IGE1WM402BRNK2	IGE1WM402NPNK2	40	15	26.50 - 32.50	33.50 - 40.30	1.60 / 2.00	49.70	49.70	1 1/4"	IGE1WN1252BRNK2	IGE1WN1252NPNK2
50S	M50	IGE1WM501BRNK2	IGE1WM501NPNK2	50	15	32.50 - 39.00	40.00 - 46.20	2.00	57.50	56.50	1 1/2"	IGE1WN1501BRNK2	IGE1WN1501NPNK2
50L	M50	IGE1WM502BRNK2	IGE1WM502NPNK2	50	15	37.00 - 43.50	46.00 - 51.70	2.00 / 2.50	62.00	61.00	1 1/2"	IGE1WN1502BRNK2	IGE1WN1502NPNK2
63S	M63	IGE1WM631BRNK2	IGE1WM631NPNK2	63	15	43.50 - 49.50	51.50 - 59.00	2.50	70.00	70.00	2"	IGE1WN2001BRNK2	IGE1WN2001NPNK2
63L	M63	IGE1WM632BRNK2	IGE1WM632NPNK2	63	15	49.50 - 55.50	59.00 - 65.50	2.50	78.50	77.50	2"	IGE1WN2002BRNK2	IGE1WN2002NPNK2
75S	M75	IGE1WM751BRNK2	IGE1WM751NPNK2	75	15	55.00 - 61.50	65.50 - 71.50	2.50	85.00	84.00	2 1/2"	IGE1WN2501BRNK2	IGE1WN2501NPNK2
75L	M75	IGE1WM752BRNK2	IGE1WM752NPNK2	75	15	61.50 - 67.50	71.50 - 77.50	2.50	92.00	92.00	2 1/2"	IGE1WN2502BRNK2	IGE1WN2502NPNK2

To order gland only, remove suffix "K2" from end of reference number. All dimensions in mm. Other sizes available on request.

Capri IGE1X cable gland - for armoured cable

Technical specification



Function:

The IGE1X cable gland provides mechanical retention, a weatherproof seal on the inner and outer sheath of the cable and earth continuity.

Suitable for the following cable types:

- Wire braid armoured cable (SWB)
- Steel tape armoured cable (STA)

Application:

Suitable for indoor and outdoor applications

Operating temperature:

-40°C to +80°C

Material:

Brass, nickel-plated brass

Ingress protection (IP):

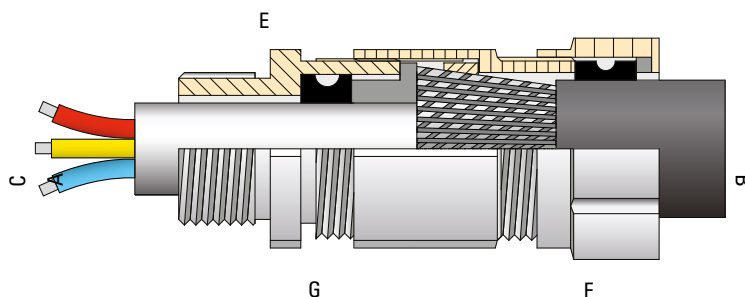
IP66

Certifications and compliances:

B.S. 6121 Part 1: 1989

EN 62444 2013

EAC certificate no: RU C-GB.АЛ32.В.04663



The gland kit comprises of:

- Gland
- Shroud
- Earth tag
- Locknut
- IP washer



GLAND SIZE	ISO	ISO CATALOG NUMBER NATURAL BRASS (IN GLAND KIT)	ISO CATALOG NUMBER NICKEL-PLATED (IN GLAND KIT)	SELECTION TABLE								NPT CATALOG NUMBER NATURAL BRASS (IN GLAND KIT)	NPT CATALOG NUMBER NICKEL-PLATED (IN GLAND KIT)
				ENTRY THREAD		CABLE DIMENSION ACCOMMODATION			F ACROSS FLAT	G ACROSS FLAT	NPT		
				DIA C	MIN LENGTH E	MIN - MAX A	MIN - MAX B	ARMOUR THICKNESS					
20S	M20	IGE1XM201BRNK2	IGE1XM201NPNK2	20	10	8.00 - 11.40	12.00 - 15.90	0.40 / 0.80	22.00	22.00	1/2"	IGE1XN0501BRNK2	IGE1XN0501NPNK2
20L	M20	IGE1XM202BRNK2	IGE1XM202NPNK2	20	10	11.00 - 13.90	15.50 - 19.50	0.60 / 1.00	26.00	26.00	1/2"	IGE1XN0502BRNK2	IGE1XN0502NPNK2
25S	M25	IGE1XM251BRNK2	IGE1XM251NPNK2	25	10	12.50 - 17.50	18.00 - 23.00	0.60 / 1.10	31.50	31.50	3/4"	IGE1XN0751BRNK2	IGE1XN0751NPNK2
25L	M25	IGE1XM252BRNK2	IGE1XM252NPNK2	25	10	14.00 - 19.80	22.00 - 25.80	0.60 / 1.10	34.00	34.00	3/4"	IGE1XN0752BRNK2	IGE1XN0752NPNK2
32S	M32	IGE1XM321BRNK2	IGE1XM321NPNK2	32	10	18.00 - 22.80	25.00 - 29.50	0.60 / 1.20	38.50	38.50	1"	IGE1XN1001BRNK2	IGE1XN1001NPNK2
32L	M32	IGE1XM322BRNK2	IGE1XM322NPNK2	32	10	20.00 - 25.80	26.50 - 32.00	0.60 / 1.20	41.00	41.00	1"	IGE1XN1002BRNK2	IGE1XN1002NPNK2
40S	M40	IGE1XM401BRNK2	IGE1XM401NPNK2	40	15	23.50 - 29.00	32.00 - 36.50	0.60 / 1.20	45.70	45.70	1 1/4"	IGE1XN1251BRNK2	IGE1XN1251NPNK2
40L	M40	IGE1XM402BRNK2	IGE1XM402NPNK2	40	15	26.50 - 32.50	33.50 - 40.30	0.60 / 1.20	49.70	49.70	1 1/4"	IGE1XN1252BRNK2	IGE1XN1252NPNK2
50S	M50	IGE1XM501BRNK2	IGE1XM501NPNK2	50	15	32.50 - 39.00	40.00 - 46.20	0.60 / 1.50	57.50	56.50	1 1/2"	IGE1XN1501BRNK2	IGE1XN1501NPNK2
50L	M50	IGE1XM502BRNK2	IGE1XM502NPNK2	50	15	37.00 - 43.50	46.00 - 51.70	0.80 / 1.50	62.00	61.00	1 1/2"	IGE1XN1502BRNK2	IGE1XN1502NPNK2
63S	M63	IGE1XM631BRNK2	IGE1XM631NPNK2	63	15	43.50 - 49.50	51.50 - 59.00	0.80 / 1.50	70.00	70.00	2"	IGE1XN2001BRNK2	IGE1XN2001NPNK2
63L	M63	IGE1XM632BRNK2	IGE1XM632NPNK2	63	15	49.50 - 55.50	59.00 - 65.50	0.80 / 1.50	78.50	77.50	2"	IGE1XN2002BRNK2	IGE1XN2002NPNK2
75S	M75	IGE1XM751BRNK2	IGE1XM751NPNK2	75	15	55.00 - 61.50	65.50 - 71.50	0.80 / 1.50	85.00	84.00	2 1/2"	IGE1XN2501BRNK2	IGE1XN2501NPNK2
75L	M75	IGE1XM752BRNK2	IGE1XM752NPNK2	75	15	61.50 - 67.50	71.50 - 77.50	0.80 / 1.50	92.00	92.00	2 1/2"	IGE1XN2502BRNK2	IGE1XN2502NPNK2

To order gland only, remove suffix "K2" from end of reference number. All dimensions in mm.

Other sizes available on request.



CHS Controls AB
Tel +46 42 38 61 00, Fax +46 42 38 61 29
chs@chscontrols.se www.chscontrols.se

Capri IGE2W cable gland - for armoured cable

Technical specification



Function:

The IGE2W cable gland provides mechanical retention, a weatherproof seal on the inner and outer sheath of the cable, lead sheath earthing and earth continuity through armour wire termination.

Suitable for the following cable types:

- Single wire armoured cable (SWA)
- Lead sheathed cable

Application:

Suitable for indoor and outdoor applications

Operating temperature:

-40°C to +80°C

Material:

Brass, nickel-plated brass

Ingress protection (IP):

IP66

Certifications and compliances:

B.S. 6121 Part 1: 1989

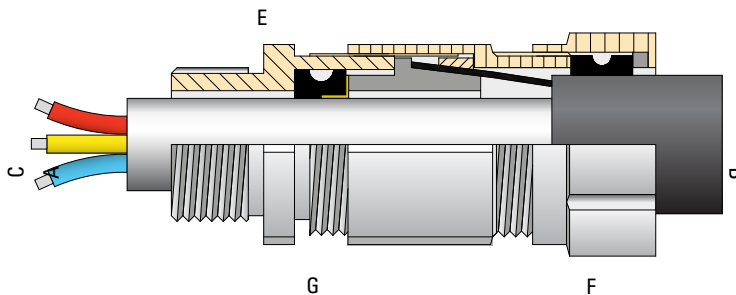
EN 62444 2013

EAC certificate no: RU C-GB.A132.B.04663



The gland kit comprises of:

- Gland
- Shroud
- Earth tag
- Locknut
- IP washer



GLAND SIZE	ISO	ISO CATALOG NUMBER NATURAL BRASS (IN GLAND KIT)	ISO CATALOG NUMBER NICKEL-PLATED (IN GLAND KIT)	SELECTION TABLE								NPT CATALOG NUMBER NATURAL BRASS (IN GLAND KIT)	NPT CATALOG NUMBER NICKEL-PLATED (IN GLAND KIT)
				ENTRY THREAD		CABLE DIMENSION ACCOMMODATION			F ACROSS FLAT	G ACROSS FLAT	NPT		
				DIA C	MIN LENGTH E	MIN - MAX A	MIN - MAX B	ARMOUR THICKNESS					
20S	M20	IGE2WM201BRNK2	IGE2WM201NPNK2	20	10	8.00 - 11.40	12.00 - 15.90	0.90	22.00	22.00	1/2"	IGE2WN0501BRNK2	IGE2WN0501NPNK2
20L	M20	IGE2WM202BRNK2	IGE2WM202NPNK2	20	10	11.00 - 13.90	15.50 - 19.50	0.90 / 1.25	26.00	26.00	1/2"	IGE2WN0502BRNK2	IGE2WN0502NPNK2
25S	M25	IGE2WM251BRNK2	IGE2WM251NPNK2	25	10	12.50 - 17.50	18.00 - 23.00	1.25	31.50	31.50	3/4"	IGE2WN0751BRNK2	IGE2WN0751NPNK2
25L	M25	IGE2WM252BRNK2	IGE2WM252NPNK2	25	10	14.00 - 19.80	22.00 - 25.80	1.25 / 1.60	34.00	34.00	3/4"	IGE2WN0752BRNK2	IGE2WN0752NPNK2
32S	M32	IGE2WM321BRNK2	IGE2WM321NPNK2	32	10	18.00 - 22.00	25.00 - 29.50	1.60	38.50	38.50	1"	IGE2WN1001BRNK2	IGE2WN1001NPNK2
32L	M32	IGE2WM322BRNK2	IGE2WM322NPNK2	32	10	20.00 - 25.80	26.50 - 32.00	1.60 / 2.00	41.00	41.00	1"	IGE2WN1002BRNK2	IGE2WN1002NPNK2
40S	M40	IGE2WM401BRNK2	IGE2WM401NPNK2	40	15	23.50 - 29.00	32.00 - 36.50	1.60	45.70	45.70	1 1/4"	IGE2WN1251BRNK2	IGE2WN1251NPNK2
40L	M40	IGE2WM402BRNK2	IGE2WM402NPNK2	40	15	26.50 - 32.50	33.50 - 40.30	1.60 / 2.00	49.70	49.70	1 1/4"	IGE2WN1252BRNK2	IGE2WN1252NPNK2
50S	M50	IGE2WM501BRNK2	IGE2WM501NPNK2	50	15	32.50 - 39.00	40.00 - 46.20	2.00	57.50	56.50	1 1/2"	IGE2WN1501BRNK2	IGE2WN1501NPNK2
50L	M50	IGE2WM502BRNK2	IGE2WM502NPNK2	50	15	37.00 - 43.50	46.00 - 51.70	2.00 / 2.50	62.00	61.00	1 1/2"	IGE2WN1502BRNK2	IGE2WN1502NPNK2
63S	M63	IGE2WM631BRNK2	IGE2WM631NPNK2	63	15	43.50 - 49.50	51.50 - 59.00	2.50	70.00	70.00	2"	IGE2WN2001BRNK2	IGE2WN2001NPNK2
63L	M63	IGE2WM632BRNK2	IGE2WM632NPNK2	63	15	49.50 - 55.50	59.00 - 65.50	2.50	78.50	77.50	2"	IGE2WN2002BRNK2	IGE2WN2002NPNK2
75S	M75	IGE2WM751BRNK2	IGE2WM751NPNK2	75	15	55.00 - 61.50	65.50 - 71.50	2.50	85.00	84.00	2 1/2"	IGE2WN2501BRNK2	IGE2WN2501NPNK2
75L	M75	IGE2WM752BRNK2	IGE2WM752NPNK2	75	15	61.50 - 67.50	71.50 - 77.50	2.50	92.00	92.00	2 1/2"	IGE2WN2502BRNK2	IGE2WN2502NPNK2

To order gland only, remove suffix "K2" from end of reference number. All dimensions in mm.

Other sizes available on request.

Capri IGE2X cable gland - for armoured cable

Technical specification



Function:

The IGE2X cable gland provides mechanical retention, a weatherproof seal on the inner and outer sheath of the cable, lead sheath earthing and earth continuity through armour wire termination.

Suitable for the following cable types:

- Wire braid armoured cable (SWB)
- Steel tape armoured cable (STA)
- Lead sheathed cable

Application:

Suitable for indoor and outdoor applications

Operating temperature:

-40°C to +80°C

Material:

Brass, nickel-plated brass

Ingress protection (IP):

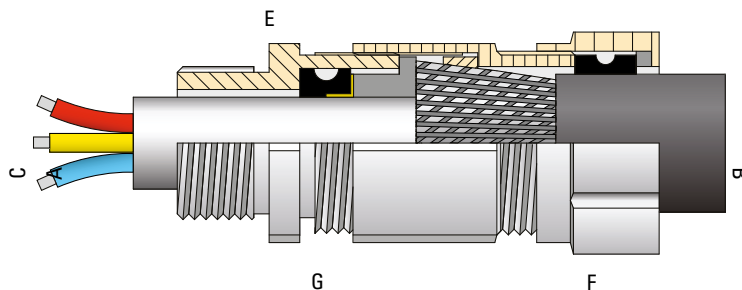
IP66

Certifications and compliances:

B.S. 6121 Part 1: 1989

EN 62444 2013

EAC certificate no: RU C-GB.A1J32.B.04663



The gland kit comprises of:

- Gland
- Shroud
- Earth tag
- Locknut
- IP washer

GLAND SIZE	ISO	ISO CATALOG NUMBER NATURAL BRASS (IN GLAND KIT)	ISO CATALOG NUMBER NICKEL-PLATED (IN GLAND KIT)	SELECTION TABLE							NPT CATALOG NUMBER NATURAL BRASS (IN GLAND KIT)	NPT CATALOG NUMBER NICKEL-PLATED (IN GLAND KIT)	
				ENTRY THREAD		CABLE DIMENSION ACCOMMODATION			F ACROSS FLAT	G ACROSS FLAT			NPT
				DIA C	MIN LENGTH E	MIN - MAX A	MIN - MAX B	ARMOUR THICKNESS					
20S	M20	IGE2XM201BRNK2	IGE2XM201NPNK2	20	10	8.00 - 11.40	12.00 - 15.90	0.40 / 0.80	22.00	22.00	1/2"	IGE2XN0501BRNK2	IGE2XN0501NPNK2
20L	M20	IGE2XM202BRNK2	IGE2XM202NPNK2	20	10	11.00 - 13.90	15.50 - 19.50	0.60 / 1.00	26.00	26.00	1/2"	IGE2XN0502BRNK2	IGE2XN0502NPNK2
25S	M25	IGE2XM251BRNK2	IGE2XM251NPNK2	25	10	12.50 - 17.50	18.00 - 23.00	0.60 / 1.10	31.50	31.50	3/4"	IGE2XN0751BRNK2	IGE2XN0751NPNK2
25L	M25	IGE2XM252BRNK2	IGE2XM252NPNK2	25	10	14.00 - 19.80	22.00 - 25.80	0.60 / 1.10	34.00	34.00	3/4"	IGE2XN0752BRNK2	IGE2XN0752NPNK2
32S	M32	IGE2XM321BRNK2	IGE2XM321NPNK2	32	10	18.00 - 22.80	25.00 - 29.50	0.60 / 1.20	38.50	38.50	1"	IGE2XN1001BRNK2	IGE2XN1001NPNK2
32L	M32	IGE2XM322BRNK2	IGE2XM322NPNK2	32	10	20.00 - 25.80	26.50 - 32.00	0.60 / 1.20	41.00	41.00	1"	IGE2XN1002BRNK2	IGE2XN1002NPNK2
40S	M40	IGE2XM401BRNK2	IGE2XM401NPNK2	40	15	23.50 - 29.00	32.00 - 36.50	0.60 / 1.20	45.70	45.70	1 1/4"	IGE2XN1251BRNK2	IGE2XN1251NPNK2
40L	M40	IGE2XM402BRNK2	IGE2XM402NPNK2	40	15	26.50 - 32.50	33.50 - 40.30	0.60 / 1.20	49.70	49.70	1 1/4"	IGE2XN1252BRNK2	IGE2XN1252NPNK2
50S	M50	IGE2XM501BRNK2	IGE2XM501NPNK2	50	15	32.50 - 39.00	40.00 - 46.20	0.60 / 1.50	57.50	56.50	1 1/2"	IGE2XN1501BRNK2	IGE2XN1501NPNK2
50L	M50	IGE2XM502BRNK2	IGE2XM502NPNK2	50	15	37.00 - 43.50	46.00 - 51.70	0.80 / 1.50	62.00	61.00	1 1/2"	IGE2XN1502BRNK2	IGE2XN1502NPNK2
63S	M63	IGE2XM631BRNK2	IGE2XM631NPNK2	63	15	43.50 - 49.50	51.50 - 59.00	0.80 / 1.50	70.00	70.00	2"	IGE2XN2001BRNK2	IGE2XN2001NPNK2
63L	M63	IGE2XM632BRNK2	IGE2XM632NPNK2	63	15	49.50 - 55.50	59.00 - 65.50	0.80 / 1.50	78.50	77.50	2"	IGE2XN2002BRNK2	IGE2XN2002NPNK2
75S	M75	IGE2XM751BRNK2	IGE2XM751NPNK2	75	15	55.00 - 61.50	65.50 - 71.50	0.80 / 1.50	85.00	84.00	2 1/2"	IGE2XN2501BRNK2	IGE2XN2501NPNK2
75L	M75	IGE2XM752BRNK2	IGE2XM752NPNK2	75	15	61.50 - 67.50	71.50 - 77.50	0.80 / 1.50	92.00	92.00	2 1/2"	IGE2XN2502BRNK2	IGE2XN2502NPNK2

To order gland only, remove suffix "K2" from end of reference number. All dimensions in mm.

Other sizes available on request.



CHS Controls AB
Tel +46 42 38 61 00, Fax +46 42 38 61 29
chs@chscontrols.se www.chscontrols.se

Capri NEWCAP - MS

Technical specification

Suitable for the following cable types:

■ Non-armoured cable

Operating temperature:

Neoprene seal: -20°C to +80°C

Material:

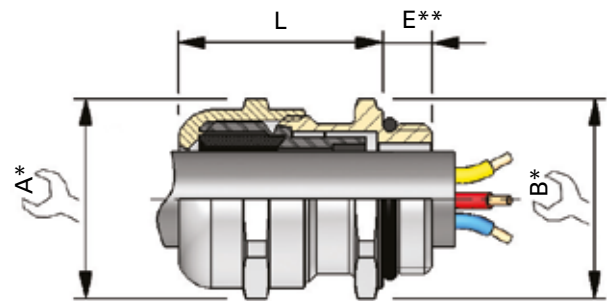
Nickel-plated brass for superior corrosion resistance, 316L stainless steel option available.
It is recommended that a suitable lubricant is used on all threads of stainless steel and aluminum versions.

Ingress protection (IP):

IP66 / IP68 tested 30m/7days on surface Ra 1.6µm max.

Certifications and compliances:

EN 62444



* For 'across corners' dimensions, multiply 'across flats' dimensions by 1.1

** For 'E' see thread dimension page 89




SELECTION TABLE			DIMENSIONS				CAP GLAND SIZE	CATALOG NUMBER ISO (NICKEL-PLATED BRASS)	CATALOG NUMBER ISO (316L STAINLESS STEEL LONG FIXING THREAD)	CATALOG NUMBER Pg (NICKEL-PLATED BRASS)	CATALOG NUMBER Pg (316L STAINLESS STEEL LONG FIXING THREAD)
THREAD SIZE	THREAD SIZE	BRAID THICKNESS	CABLE DIAMETER MIN - MAX	A	B	L (LENGTH)					
ISO	Pg										
12	Pg7	0.7	3.0 - 6.5	15	15	18	4	CAP187124	CAP187129	CAP186074	CAP186079
16	-	0.7	3.0 - 6.5	15	18	18	4	CAP187544	CAP187549	-	-
16	Pg9	0.7	4.5 - 10.0	20	20	24	5	CAP187164	CAP187169	CAP186094	CAP186099
20	-	0.7	4.5 - 10.0	20	22	24	5	CAP187554	CAP187559	-	-
20	Pg11	0.8	6.0 - 13.0	24	24	27	6	CAP187204	CAP187209	CAP186114	CAP186119
-	Pg13	0.80	6.0 - 13.0	24	24	27	6	-	-	CAP186134	CAP186139
25	-	0.8	6.0 - 13.0	24	27	27	6	CAP187564	CAP187569	-	-
25	Pg16	0.9	10.0 - 18.0	30	30	28	7	CAP187254	CAP187259	CAP186174	CAP186179
32	Pg21	0.9	10.0 - 18.0	30	34	28	7	CAP187574	CAP187579	CAP186194	CAP186199
32	Pg21	1.0	16.0 - 24.5	38	38	30	8	CAP187324	CAP187329	CAP186184	CAP186189
-	Pg29	1.0	16.0 - 24.5	38	38	30	8	-	-	CAP186284	CAP186289
40	-	1.0	16.0 - 24.5	38	43	30	8	CAP187584	CAP187589	-	-
40	Pg29	1.0	22.0 - 32.0	47	47	33	9	CAP187404	CAP187409	CAP186294	CAP186299
50	-	1.0	22.0 - 32.0	47	54	33	9	CAP187594	CAP187599	-	-
50	Pg36	1.2	29.0 - 40.5	57	57	37	10	CAP187504	CAP187509	CAP186364	CAP186369
63	-	1.2	29.0 - 40.5	57	68	37	10	CAP187604	CAP187609	-	-
63	Pg48 DIN	1.8	37.0 - 53.0	75	75	48	11	CAP187634	CAP187639	CAP186484	CAP186489
-	No48 NFC	1.8	37.0 - 53.0	75	75	48	11	-	-	CAP186494	CAP186499

All dimensions in mm.

Capri NEWCAP - MS multi-wired / flat

Technical specification

Suitable for the following cable types:

-  Non-armoured cable
-  Multi-wire cable
-  Flat cable

Operating temperature:

Neoprene seal: -20°C to +80°C

Material:

Nickel-plated brass for superior corrosion resistance.

Ingress protection (IP):

IP66

Certifications and compliances:

EN 62444



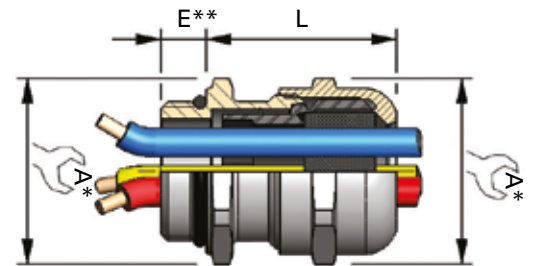
SELECTION TABLE		DIMENSIONS			CAP GLAND SIZE	CATALOG NUMBER
THREAD SIZE	CABLE DIAMETER MIN - MAX	NUMBER OF CABLES	A	L (LENGTH)		
ISO						
16	1.5 - 3.0	2	20	24	5	CAP187334
16	2.5 - 4.0	2	20	24	5	CAP187424
20	3.0 - 5.0	2	20	27	6	CAP187524
20	2.5 - 5.0	3	24	27	6	CAP187534
20	4.0 - 6.0	2	24	28	6	CAP187624
25	5.0 - 7.0	3	30	28	7	CAP187734
25	6.0 - 8.0	2	30	28	7	CAP187824
32	4.0 - 6.0	4	38	30	8	CAP187814
32	4.5 - 7.0	4	38	30	8	CAP187744
40	4.0 - 6.0	4	47	33	9	CAP187764

All dimensions in mm.

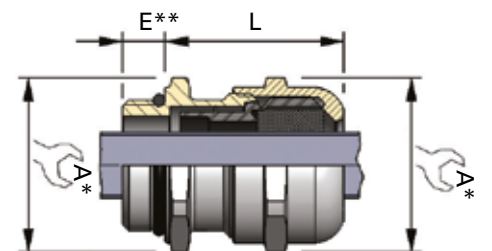
SELECTION TABLE		DIMENSIONS			CAP GLAND SIZE	CATALOG NUMBER
THREAD SIZE	CABLE WIDTH MIN - MAX	CABLE THICKNESS MIN - MAX	A	L (LENGTH)		
ISO						
25	11.0 - 13.0	4.5 - 6.0	30	28	7	CAP187134
32	11.0 - 18.0	5.0 - 7.0	38	30	8	CAP187184
40	21.0 - 24.0	5.0 - 8.5	47	33	9	CAP187244
40	24.0 - 27.0	8.0 - 11.5	47	33	9	CAP187274
50	30.0 - 32.5	5.0 - 9.0	57	37	10	CAP187304
50	29.0 - 31.0	10.0 - 14.0	57	37	10	CAP187314
50	32.5 - 35.5	9.0 - 12.0	57	37	10	CAP187354
50	34.0 - 37.0	4.5 - 6.5	57	37	10	CAP187374
50	38.0 - 40.0	10.0 - 14.0	57	48	10	CAP187414
63	38.0 - 42.0	4.5 - 6.5	75	48	11	CAP187444

All dimensions in mm.

NEWCAP - MS Multi-Wired



NEWCAP - MS Flat





* For 'across corners' dimensions, multiply 'across flats' dimensions by 1.1

** For 'E' see thread dimension page 89

Technical specification

Suitable for the following cable types:

-  Non-armoured cable
-  Shielded cable
For EMC specific cable and applications

Operating temperature:

Neoprene seal: -20°C to +80°C

Material:

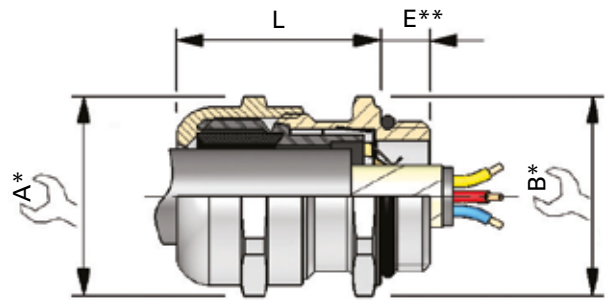
Nickel-plated brass for superior corrosion resistance

Ingress protection (IP):

IP66 / IP68 tested 30m/7days on surface Ra 1.6µm max.

Certifications and compliances:

EN 62444



* For 'across corners' dimensions, multiply 'across flats' dimensions by 1.1




** For 'E' see thread dimension page 89

SELECTION TABLE				DIMENSIONS				CAP GLAND SIZE	CATALOG NUMBER ISO (NICKEL-PLATED BRASS)	CATALOG NUMBER Pg (NICKEL-PLATED BRASS)
THREAD SIZE	THREAD SIZE	BRAID THICKNESS	DIAMETER ON SHIELD	CABLE DIAMETER MIN - MAX	A	B	L (LENGTH)			
ISO	Pg									
12	Pg7	0.7	3.0	3.0 - 6.5	15	15	18	4	CAP189124	CAP169074
16	-	0.7	3.0	3.0 - 6.5	15	18	18	4	CAP189544	-
16	Pg9	0.7	4.5	4.5 - 10.0	20	20	24	5	CAP189164	CAP169094
20	-	0.7	4.5	4.5 - 10.0	20	22	24	5	CAP189554	-
20	Pg11	0.8	6.0	6.0 - 13.0	24	24	27	6	CAP189204	CAP169114
-	Pg13	0.8	6.0	6.0 - 13.0	24	24	27	6	-	CAP169134
25	-	0.8	6.0	6.0 - 13.0	24	27	27	6	CAP189564	-
25	Pg16	0.9	10.0	10.0 - 18.0	30	30	28	7	CAP189254	CAP169164
32	Pg21	0.9	10.0	10.0 - 18.0	30	34	28	7	CAP189574	CAP169194
32	Pg21	1.0	15.0	16.0 - 24.5	38	38	30	8	CAP189324	CAP169214
-	Pg29	1.0	15.0	16.0 - 24.5	38	38	30	8	-	CAP169284
40	-	1.0	15.0	16.0 - 24.5	38	43	30	8	CAP189584	-
40	Pg29	1.0	20.5	22.0 - 32.0	47	47	33	9	CAP189404	CAP169294
50	-	1.0	20.5	22.0 - 32.0	47	54	33	9	CAP189594	-
50	Pg36	1.2	27.5	29.0 - 40.5	57	57	37	10	CAP189504	CAP169364
63	-	1.2	27.5	29.0 - 40.5	57	68	37	10	CAP189604	-
63	Pg48 DIN	1.8	34.5	37.0 - 53.0	75	75	48	11	CAP189634	CAP169484
-	No48 NFC	1.8	34.5	37.0 - 53.0	75	75	48	11	-	CAP169494

All dimensions in mm.

Technical specification

Suitable for the following cable types:

-  Steel wire armoured cable (SWA)
-  Steel wire braided cable (SWB)
-  Steel tape armoured cable (STA)

Operating temperature:

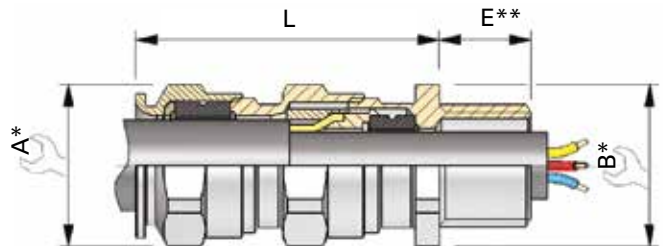
-20°C to +100°C

Material:

Standard nickel-plated brass material for superior corrosion resistance. Armour clamping and bonding with no reversible components for easy installation, minimizing error. Provides the sealing on the inner and outer sheath of the armoured cables. Available with metric or NPT threads.

Ingress protection (IP):

IP66 / IP68



* For 'across corners' dimensions, multiply 'across flats' dimensions by 1.1

** For 'E' see thread dimension page 89

SELECTION TABLE				DIMENSIONS						CAP GLAND SIZE	CATALOG NUMBER ISO	CATALOG NUMBER NPT
SERIES	THREAD SIZE	THREAD SIZE		CABLE SEALING RANGE ISO/(NPT)		MAX ARMOUR THICKNESS	A	B	L (LENGTH)			
				INNER SHEATH MIN - MAX	OUTER SHEATH MIN - MAX							
ADE4i	12	1/4"		4.0 - 8.0	6.0 - 12.0	0.2 - 0.9	19	19	36	5	CAP946404	CAP948404
ADE4i	16	3/8"		4.0 - 8.5	6.0 - 12.0	0.2 - 0.9	19	19	36	5	CAP946594	CAP948594
ADE4i	16	3/8"		6.0 - 12.0	8.5 - 16.0	0.2 - 1.3	24	24	42	6	CAP946504	CAP948504
ADE4i	20	1/2"		4.0 - 8.5	6.0 - 12.0	0.2 - 0.9	19	24	36	5	CAP946674	CAP948674
ADE4i	20	1/2"		6.0 - 12.0	8.5 - 16.0	0.2 - 1.3	24	24	42	6	CAP946694	CAP948694
ADE4i	20	1/2"		8.5 - 16.0	12.0 - 21.0	0.2 - 1.3	30	30	46	7	CAP946604	CAP948604
ADE4i	25	3/4"		6.0 - 12.0	8.5 - 16.0	0.2 - 1.3	19	30	42	6	CAP946774	CAP948774
ADE4i	25	3/4"		8.5 - 16.0	12.0 - 21.0	0.2 - 1.3	24	30	46	7	CAP946794	CAP948794
ADE4i	25	3/4"		12.0 - 20.5	16.0 - 27.5	0.2 - 1.6	30	41	56	8	CAP946704	CAP948704
ADE4i	32	1"		12.0 - 21.0	16.0 - 27.5	0.2 - 1.6	41	41	56	8	CAP946894	CAP948894
ADE4i	32	1"		16.0 - 27.5	21.0 - 34.0	0.2 - 1.6	41	48	63	9	CAP946804	CAP948804
ADE4i	40	1 1/4"		16.0 - 27.5	21.0 - 34.0	0.2 - 1.6	48	48	63	9	CAP946994	CAP948994
ADE4i	40	1 1/4"		21.0 - 34.0	27.0 - 41.0	0.2 - 2.0	48	55	68	10	CAP946904	CAP948904
ADE4i	50	1 1/2"		21.0 - 34.0	27.0 - 41.0	0.2 - 2.0	55	55	68	10	CAP947094	CAP949904
ADE4i	50	1 1/2"		27.0 - 41.0	33.0 - 48.0	0.2 - 2.5	55	64	74	11	CAP947004	CAP949004
ADE4i	63	2"		27.0 - 41.0	33.0 - 48.0	0.2 - 2.5	64	72	77	12	CAP947294	CAP949294
ADE4i	63	2"		33.0 - 48.0	40.0 - 56.0	0.2 - 2.5	72	85	85	13	CAP947204	CAP949204
ADE4i	75	2 1/2"		40.0 - 56.0	47.0 - 65.0	0.2 - 2.5	85	85	85	13	CAP947394	CAP949944
ADE4i	75	2 1/2"		47.0 - 65.0	54.0 - 74.0	0.2 - 2.5	85	95	92	14	CAP947304	CAP949404
ADE4i	90	3"		54.0 - 74.0	63.0 - 83.0	0.2 - 3.2	95	110	104	15	CAP947594	CAP949564
ADE4i	90	3"		63.0 - 82.0	72.0 - 93.0	0.2 - 3.2	110	120	108	16	CAP947504	CAP949504
ADE4i	-	3 1/2"		63.0 - 82.0	72.0 - 93.0	0.2 - 3.2	120	120	108	16	-	CAP949604
ADE4i	110	4"		72.0 - 92.0	85.0 - 107.0	0.2 - 3.2	135	135	115	17	CAP947794	CAP949704

All dimensions in mm.

Technical specification



Suitable for the following cable types:

➡ Non-armoured round cable

Operating temperature:

Continuous operating temperature: -40°C to +100°C
Maximum operating temperature: +150°C

Material:

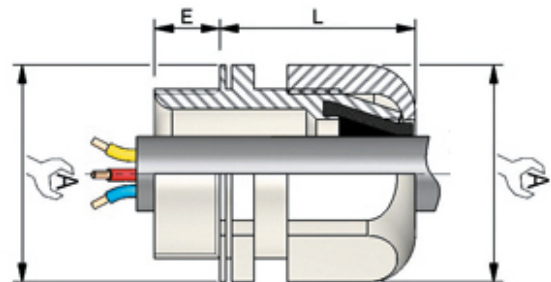
Nylon 6/6 – UL 94 V0 – halogen free
Colour: Grey RAL 7035 or Black RAL9005
Neoprene sealing ring
Entry thread metric: ISO-NF EN 60423 and NF EN 62444
Entry thread electrical guide: UTE C 68-311 – DIN 40430

Ingress protection (IP):

IP68 : 5 bars without sealing washer except Pg 36/42/48 and ISO 40/50/63 according to NF EN 60529

Certifications and compliances:

UL certificate no: E172126
CSA certificate no: 701907



* For 'across corners' dimensions, multiply 'across flats' dimensions by 1.1

SELECTION TABLE		DIMENSIONS				GLAND		SEALING WASHER	LOCKNUT	
SERIES	THREAD SIZE	CABLE DIAMETER MIN - MAX	A	L (LENGTH)	E (THREAD LENGTH)	CATALOG NUMBER GREY COLOUR	CATALOG NUMBER BLACK COLOUR	CATALOG NUMBER	CATALOG NUMBER GREY COLOUR	CATALOG NUMBER BLACK COLOUR
	ISO									
EUROCAP	12	3.5 - 6.5	15	21	8	CAP401270	CAP401260	CAP221249	CAP261273	CAP261203
EUROCAP	16	4.0 - 8.0	19	25	8	CAP401670	CAP401660	CAP221649	CAP261673	CAP261603
EUROCAP	20	6.0 - 12.0	24	33	9	CAP402070	CAP402060	CAP222049	CAP262073	CAP262003
EUROCAP	25	12.0 - 18.0	32	36	11	CAP402570	CAP402560	CAP222549	CAP262573	CAP262503
EUROCAP	32	17.0 - 25.0	42	40	11	CAP403270	CAP403260	CAP223249	CAP263273	CAP263203
EUROCAP	40*	20.0 - 32.0	53	36	11	CAP404070	CAP404060	CAP224049*	CAP264073	CAP264003
EUROCAP	50*	26.0 - 38.0	60	36	11	CAP405070	CAP405060	CAP225049*	CAP265073	CAP265003
EUROCAP	63*	30.0 - 44.0	68	36	11	CAP406370	CAP406360	CAP226349*	CAP266373	CAP266303

* Delivered with sealing washer. All dimensions in mm.

SELECTION TABLE		DIMENSIONS				GLAND		SEALING WASHER	LOCKNUT	
SERIES	THREAD SIZE	CABLE DIAMETER MIN - MAX	A	L (LENGTH)	E (THREAD LENGTH)	CATALOG NUMBER GREY COLOUR	CATALOG NUMBER BLACK COLOUR	CATALOG NUMBER	CATALOG NUMBER GREY COLOUR	CATALOG NUMBER BLACK COLOUR
	ISO									
EUROCAP	Pg7	3.5 - 6.5	15	21	8	CAP410770	CAP410760	CAP240749	CAP260770	CAP260760
EUROCAP	Pg9	4.0 - 8.0	19	25	8	CAP410970	CAP410960	CAP240949	CAP260970	CAP260960
EUROCAP	Pg11	5.0 - 10.0	22	29	8	CAP411170	CAP411160	CAP241149	CAP261170	CAP261160
EUROCAP	Pg13	6.0 - 12.0	24	33	9	CAP411370	CAP411360	CAP241349	CAP261370	CAP261360
EUROCAP	Pg16	9.0 - 14.0	27	34	10	CAP411670	CAP411660	CAP241649	CAP261670	CAP261660
EUROCAP	Pg21	12.0 - 18.0	33	36	11	CAP412170	CAP412160	CAP242149	CAP262170	CAP262160
EUROCAP	Pg29*	17.0 - 25.0	42	40	11	CAP412970	CAP412960	CAP242949*	CAP262970	CAP262960
EUROCAP	Pg36*	20.0 - 32.0	53	51	13	CAP413670	CAP413660	CAP243649*	CAP263670	CAP263660
EUROCAP	Pg42*	26.0 - 38.0	60	50	13	CAP414270	CAP414260	CAP244249*	CAP264270	CAP264260
EUROCAP	Pg48 DIN*	30.0 - 44.0	65	53	14	CAP414870	CAP414860	CAP244849*	CAP264878	CAP264879

* Delivered with sealing washer. All dimensions in mm.

Technical specification

Suitable for the following cable types:

■ Non-armoured round cable

Operating temperature:

Continuous operating temperature: -5°C to +70°C

PVC hardening temperature: -20°C

Material:

Nylon

Colour: Grey RAL 7035

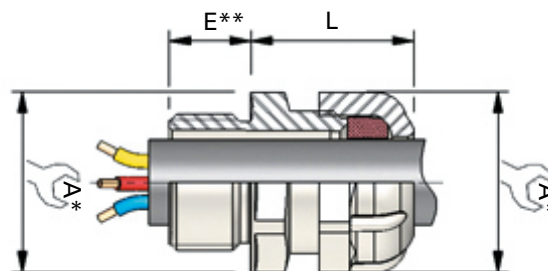
Operculated PVC coloured plasticized sealing ring

Entry thread metric: ISO-NF EN 60423 and NF EN 62444

Entry thread electrical guide: UTE C 68-311 – DIN 40430

Ingress protection (IP):

IP68: 5 bars without sealing washer provided if the bearing area is satisfactory



* For 'across corners' dimensions, multiply 'across flats' dimensions by 1.1

SELECTION TABLE		DIMENSIONS				SEALING RING COLOUR	GLAND	SEALING WASHER	LOCKNUT
SERIES	THREAD SIZE ISO	CABLE DIAMETER MIN - MAX	A	L (LENGTH)	E (THREAD LENGTH)		CATALOG NUMBER	CATALOG NUMBER	CATALOG NUMBER
ECP	12	3.0 - 6.0	15	18	8		CAP439120	CAP221249	CAP261273
ECP	16	4.0 - 8.0	19	22	8	Yellow	CAP439160	CAP221649	CAP261673
ECP	16 Bis	5.0 - 10.0	22	22	8	Orange	CAP439170	CAP221649	CAP261673
ECP	20	7.5 - 13.0	24	23	9	Red	CAP439200	CAP222049	CAP262073
ECP	20 Bis	9.5 - 15.0	26	23	9	Green	CAP439210	CAP222049	CAP262073
ECP	25	13.0 - 19.0	32	29	11	Blue	CAP439250	CAP222549	CAP262573
ECP	32	15.0 - 25.0	41	29	11		CAP439320	CAP223249	CAP263273
ECP	40	21.0 - 32.0	52	35	13		CAP439400	CAP224049	CAP264073
ECP	50	26.0 - 38.0	59	40	13		CAP439500	CAP225049	CAP265073
ECP	63	31.0 - 44.0	65	42	14		CAP439630	CAP226349	CAP266373

All dimensions in mm.

SELECTION TABLE		DIMENSIONS				SEALING RING COLOUR	GLAND	SEALING WASHER	LOCKNUT
SERIES	THREAD SIZE PG	CABLE DIAMETER MIN - MAX	A	L (LENGTH)	E (THREAD LENGTH)		CATALOG NUMBER	CATALOG NUMBER	CATALOG NUMBER
ECP	Pg7	3.0 - 6.0	15	18	9		CAP430070	CAP240749	CAP260770
ECP	Pg9	4.0 - 8.0	19	22	9	Yellow	CAP430090	CAP240949	CAP260970
ECP	Pg11	5.0 - 10.0	22	22	9	Orange	CAP430110	CAP241149	CAP261170
ECP	Pg13	7.5 - 13.0	24	23	10	Red	CAP430130	CAP241349	CAP261370
ECP	Pg16	9.5 - 15.0	28	23	10	Green	CAP430160	CAP241649	CAP261670
ECP	Pg21	13.0 - 19.0	32	29	11	Blue	CAP430210	CAP242149	CAP262170
ECP	Pg29*	15.0 - 25.0	41	29	12		CAP430290	CAP242949	CAP262970
ECP	Pg36*	21.0 - 32.0	52	35	14		CAP430360	CAP243649	CAP263670
ECP	Pg42*	26.0 - 38.0	59	40	16		CAP430420	CAP244249	CAP264270
ECP	No 48 NFC	31.0 - 44.0	65	42	18		CAP430480	CAP244849	CAP264870
ECP	Pg48 DIN*	31.0 - 44.0	65	42	18		CAP437480	CAP244849	CAP264878

All dimensions in mm.

Technical specification

Suitable for the following cable types:

■ Non-armoured cable

Operating temperature:

Continuous operating temperature: -40°C to +100°C

Maximum temperature: +150°C

Material:

Nylon

Colour: Grey RAL 7035

Operculated thermoplastic sealing ring

Entry thread metric: ISO-NF EN 60423 and NF EN 62444

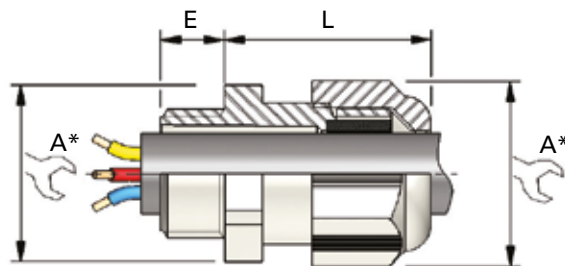
Entry thread Pg: UTE C 68-311 - DIN 40430

Ingress protection (IP):

IP68: 5 bars without sealing washer provided if the bearing area is satisfactory

Certifications and compliances:

EN 62444



* For 'across corners' dimensions, multiply 'across flats' dimensions by 1.1

SELECTION TABLE		DIMENSIONS				CATALOG NUMBER ISO	CATALOG NUMBER Pg
THREAD SIZE	THREAD SIZE	CABLE DIAMETER MIN - MAX	A	L ISO / PG	E ISO / PG		
ISO	Pg						
M12	PG7	3.0 - 6.5	15	14	8	CAP451202	CAP450702
-	PG9	4.0 - 8.0	19	28	8	-	CAP450902
M16	PG11	5.0 - 10.0	22	28 / 29	10/8	CAP451602	CAP451102
M20	PG13	6.0 - 12.0	24	29	10/9	CAP452002	CAP451302
-	PG16	10.0 - 14.0	27	33	9	-	CAP451702
M25	PG21	12.0 - 18.0	33	38	10/11	CAP452502	CAP452102
M32	PG29	18.0 - 25.0	42	41	10/11	CAP453202	CAP452902
M40	PG36	22.0 - 32.0	53	52	10/13	CAP454002	CAP453602
M50	PG42	30.0 - 38.0	60	54	18/13	CAP455002	CAP454202
M63	PG48 DIN	34.0 - 44.0	65	55	18/14	CAP456302	CAP454802

All dimensions in mm.

SELECTION TABLE		DIMENSIONS				CATALOG NUMBER ISO (FITTED WITH MOUNTING NUT)	CATALOG NUMBER Pg (FITTED WITH MOUNTING NUT)	CATALOG NUMBER ISO (WITH MOUNTING NUT - NOT FITTED)	CATALOG NUMBER Pg (WITH MOUNTING NUT - NOT FITTED)
THREAD SIZE	THREAD SIZE	CABLE DIAMETER MIN - MAX	A	L ISO / PG	E ISO / PG				
ISO	Pg								
M12	PG7	3.0 - 6.5	15	14	8	CAP451212	CAP450712	CAP451272	CAP450772
-	PG9	4.0 - 8.0	19	28	8	-	CAP450912	-	CAP450972
M16	PG11	5.0 - 10.0	22	28 / 29	10/8	CAP451612	CAP451112	CAP451672	CAP451172
M20	PG13	6.0 - 12.0	24	29	10/9	CAP452012	CAP451312	CAP452072	CAP451372
-	PG16	10.0 - 14.0	27	33	9	-	CAP451712	-	CAP451772
M25	PG21	12.0 - 18.0	33	38	10/11	CAP452512	CAP452112	CAP452572	CAP452172
M32	PG29	18.0 - 25.0	42	41	10/11	CAP453212	CAP452912	CAP453272	CAP452972
M40	PG36	22.0 - 32.0	53	52	10/13	CAP454012	CAP453612	CAP454072	CAP453672
M50	PG42	30.0 - 38.0	60	54	18/13	CAP455012	CAP454212	CAP455072	CAP454272
M63	PG48 DIN	34.0 - 44.0	65	55	18/14	CAP456312	CAP454812	CAP456372	CAP454872

All dimensions in mm.

TMC - for armoured / non-armoured cable

Technical specification



Suitable for the following cable types:

- Metal clad cable: MC
- TECK corrugated or interlocked steel or aluminum cable

Operating temperature:

-25°C to +60°C

Material:

Standard material is aluminum.

Features:

Stainless steel copper-plated spring provides grounding continuity of cable armour (MC cable only).

Watertight seal on outer sheath of cable.

Standard neoprene seal suitable for use in operating temperatures -25°C to +60°C.

Cold Shrink™ Kit is available for extra protection in aggressive environments.

Available with NPT threads.

Ingress protection (IP):

IP56, NEMA 4

Certifications and compliances:

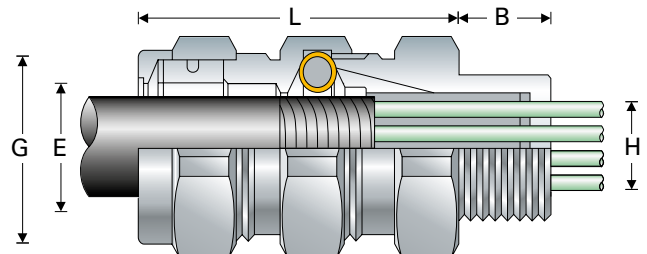
UL Listed: UL File E36379

CSA Listed: LR291

NEMA 4 and IP56

Wet locations

This gland may be permitted for use in Class 1 Division 2 locations providing there are no arcing and sparking risks in accordance with NEC501.10B.



SELECTION TABLE	DIMENSIONS						CATALOG NUMBER ALUMINUM	COLD SHRINK KIT	CATALOG NUMBER
	THREAD SIZE	ARMOUR RANGE 'H' MIN - MAX	OUTER SHEATH 'E' MIN - MAX	ACROSS FLATS	ACROSS CORNERS 'G'	LENGTH 'L'		THREAD LENGTH 'B'	
NPT									
1/2"	0.44 - 0.65	0.49 - 0.78	1.25	1.38	2.38	0.75	TMC165	1/2"	TMC-K1
3/4"	0.60 - 0.85	0.65 - 1.00	1.50	1.63	2.63	0.78	TMC285	3/4"	TMC-K2
1"	0.80 - 1.12	0.85 - 1.31	1.88	2.00	3.13	0.94	TMC3112	1"	TMC-K3
1 1/4"	1.10 - 1.40	1.15 - 1.62	2.25	2.44	2.75	0.97	TMC4140	1 1/4"	TMC-K4
1 1/2"	1.33 - 1.61	1.38 - 1.78	2.50	2.75	3.38	0.97	TMC5161	1 1/2"	TMC-K5
2"	1.57 - 2.06	1.63 - 2.31	3.25	3.50	4.50	1.00	TMC6206	2"	TMC-K6
2 1/2"	1.93 - 2.47	1.99 - 2.72	3.75	4.00	4.75	1.44	TMC7247	2 1/2"	TMC-K7
3"	2.45 - 3.02	2.52 - 3.28	4.50	4.88	4.88	1.44	TMC8302	3"	TMC-K8
3 1/2"	2.95 - 3.52	3.02 - 3.78	5.00	5.38	5.38	1.63	TMC9352	3 1/2"	TMC-K9
4"	3.50 - 4.02	3.58 - 4.28	5.50	5.88	5.50	1.63	TMC10402	4"	TMC-K10

All dimensions in inches unless otherwise stated.

TECK - for TECK armoured cable

Technical specification



Suitable for the following cable types:

TECK corrugated or interlocked steel or aluminum cable

Operating temperature:

-25°C to +60°C

Material:

Aluminum as standard material with neoprene seal.

Features:

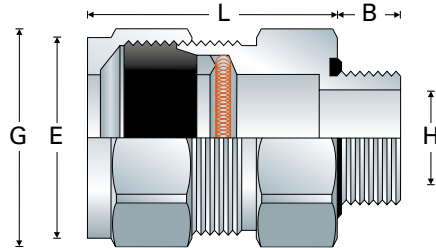
Steel, stainless steel and PVC coated* aluminum available as an option.
Stainless steel copper-plated spring provides grounding continuity of cable armour (TECK cable only).
Provides watertight seal on outer sheath of cable.
Has integral O ring seal on entry threads.
Cold Shrink™ Kit is available for extra protection in aggressive environments.

Ingress protection (IP):

IP56, Type 4

Certifications and compliances:

CSA Type 4
Class I
Class II Groups E,F,G
Class III
CSA Listed: LR13046



SELECTION TABLE	DIMENSIONS						CATALOG NUMBER ALUMINUM	CATALOG NUMBER STEEL	CATALOG NUMBER STAINLESS STEEL	CATALOG NUMBER COLD SHRINK KIT
	THREAD SIZE	ARMOUR RANGE 'H' MIN - MAX	OUTER SHEATH 'E' MIN - MAX	ACROSS FLATS	ACROSS CORNERS 'G'	THREAD LENGTH 'B'				
NPT										
1/2"	0.41 - 0.57	0.52 - 0.65	1.25	1.35	0.63	2.30	TECK050-1	TECK050-1S	TECK050-1SS	TMC-K1
1/2"	0.49 - 0.68	0.60 - 0.76	1.38	1.50	0.63	2.30	TECK050-2	TECK050-2S	TECK050-2SS	TMC-K1
1/2"	0.61 - 0.80	0.72 - 0.88	1.50	1.60	0.63	2.30	TECK050-3	TECK050-3S	TECK050-3SS	TMC-K1
1/2"	0.71 - 0.90	0.82 - 0.98	1.50	1.60	0.63	2.30	TECK050-4	TECK050-4S	TECK050-4SS	TMC-K1
3/4"	0.77 - 0.98	0.88 - 1.06	2.00	2.13	0.63	2.50	TECK075-5	TECK075-5S	TECK075-5SS	TMC-K2
3/4"	0.91 - 1.12	1.02 - 1.20	2.00	2.13	0.63	2.50	TECK075-6	TECK075-6S	TECK075-6SS	TMC-K2
1"	1.08 - 1.29	1.19 - 1.37	2.25	2.40	0.75	2.63	TECK100-7	TECK100-7S	TECK100-7SS	TMC-K3
1 1/4"	1.24 - 1.54	1.35 - 1.62	3.00	3.13	0.80	3.50	TECK125-8	TECK125-8S	-	TMC-K4
1 1/4"	1.39 - 1.54	1.50 - 1.62	3.00	3.13	0.80	3.40	TECK125-9	TECK125-9S	-	TMC-K4
1 1/4"	1.49 - 1.79	1.60 - 1.87	3.00	3.13	0.80	3.50	TECK125-10	TECK125-10S	-	TMC-K4
1 1/2"	1.59 - 1.88	1.70 - 1.96	3.75	3.60	0.80	3.80	TECK150-11	TECK150-11S	-	TMC-K5
1 1/2"	1.79 - 2.11	1.90 - 2.19	3.50	3.75	0.80	3.90	TECK150-12	TECK150-12S	-	TMC-K5
2"	1.79 - 2.11	1.90 - 2.19	3.75	4.00	0.82	4.00	TECK200-13	TECK200-13S	-	TMC-K6
2"	1.99 - 2.28	2.10 - 2.37	3.75	4.00	0.82	4.00	TECK200-14	TECK200-14S	-	TMC-K6
2"	2.19 - 2.48	2.30 - 2.56	4.13	4.40	0.87	4.00	TECK200-15	TECK200-15S	-	TMC-K6
2"	2.39 - 2.66	2.50 - 2.75	4.13	4.40	0.87	4.00	TECK200-16	TECK200-16S	-	TMC-K6
2 1/2"	2.24 - 2.56	2.38 - 2.64	4.50	4.75	1.30	5.00	TECK250-17	TECK250-17S	-	TMC-K7
2 1/2"	2.24 - 2.75	2.58 - 2.84	4.50	4.75	1.30	5.00	TECK250-18	TECK250-18S	-	TMC-K7
3"	2.64 - 2.97	2.79 - 3.06	4.60	4.90	1.40	5.00	TECK300-19	TECK300-19S	-	TMC-K8
3"	2.87 - 3.19	3.00 - 3.27	4.90	5.25	1.40	5.00	TECK300-20	TECK300-20S	-	TMC-K8
3"	3.04 - 3.39	3.21 - 3.48	5.00	5.25	1.40	5.00	TECK300-21	TECK300-21S	-	TMC-K8
3 1/2"	3.27 - 3.59	3.42 - 3.69	5.60	5.90	1.40	5.00	TECK350-22	TECK350-22S	-	TMC-K9
3 1/2"	3.44 - 3.77	3.61 - 3.87	5.50	5.90	1.40	5.00	TECK350-23	TECK350-23S	-	TMC-K9
4"	3.60 - 3.93	3.81 - 4.03	6.13	6.50	1.40	5.00	TECK400-24	TECK400-24S	-	TMC-K10
4"	3.75 - 4.06	3.96 - 4.18	6.13	6.50	1.40	5.00	TECK400-25	TECK400-25S	-	TMC-K10
4"	3.91 - 4.22	4.12 - 4.34	6.13	6.50	1.40	5.00	TECK400-26	TECK400-26S	-	TMC-K10

All dimensions in inches unless otherwise stated.

*Refer to Eaton Plasti-Bond Catalog.

CGD - for non-armoured cable

Technical specification



Suitable for the following cable types:

GCD cord and cable fittings are listed for use with flexible cords and tray cable types TC, TC-ER, TC-ER-HL, ITC, ITC-ER, ITC-HL, PLTC and PLTC-ER cables.

■ Non-armoured cable

■ Tray cable

Operating temperature:

-25°C to +40°C

Material:

45° angle with male thread

Standard body material is Feraloy® iron alloy

Standard gland nut material is steel

Features:

Weatherproof seal on outer sheath of cable

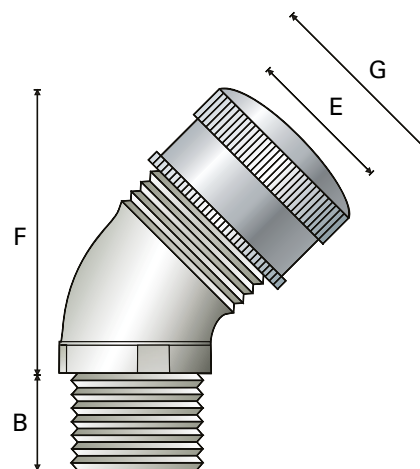
Standard neoprene seal suitable for use in operating temperatures -25°C to +40°C

Available with NPT threads

Certifications and compliances:

cULus Listed: UL File E23223

Suitable for use in wet locations



SELECTION TABLE	DIMENSIONS				NPT CATALOG NUMBER
THREAD SIZE	OUTER SHEATH 'E' MIN - MAX	EXTERNAL DIAMETER 'G'	GLAND LENGTH 'F' LESS ENTRY	THREAD LENGTH 'B'	
NPT					
1/2"	0.12 - 0.25	1.19	1.69	0.63	CGD192
1/2"	0.25 - 0.37	1.19	1.69	0.63	CGD193
1/2"	0.37 - 0.50	1.19	1.69	0.63	CGD194
1/2"	0.50 - 0.62	1.19	1.69	0.63	CGD195
1/2"	0.62 - 0.75	1.63	2.06	0.63	CGD196
1/2"	0.75 - 0.87	1.63	2.06	0.63	CGD197
3/4"	0.12 - 0.25	1.14	1.94	0.63	CGD292
3/4"	0.25 - 0.37	1.14	1.94	0.63	CGD293
3/4"	0.37 - 0.50	1.13	1.94	0.63	CGD294
3/4"	0.50 - 0.62	1.13	1.94	0.63	CGD295
3/4"	0.62 - 0.75	1.63	2.00	0.63	CGD296
3/4"	0.75 - 0.87	1.63	2.00	0.63	CGD297

All dimensions in inches unless otherwise stated.



CHS Controls AB
Tel +46 42 38 61 00, Fax +46 42 38 61 29
chs@chscontrols.se www.chscontrols.se

CGB - for non-armoured cable

Technical specification



Suitable for the following cable types:

GCD cord and cable fittings are listed for use with flexible cords and tray cable types TC, TC-ER, TC-ER-HL, ITC, ITC-ER, ITC-HL, PLTC and PLTC-ER cables.

■ Non-armoured cable

■ Tray cable

Operating temperature:

-25°C to +40°C

Material:

Form A - D bodies and gland nuts – steel with zinc electroplate and chromate finish coat

Form E - F bodies and gland nuts – Feraloy® iron alloy with electrogalvanized and aluminum acrylic paint

Features:

Weatherproof seal on outer sheath of cable

Available with NPT threads

Available in all aluminum construction

Standard neoprene seal

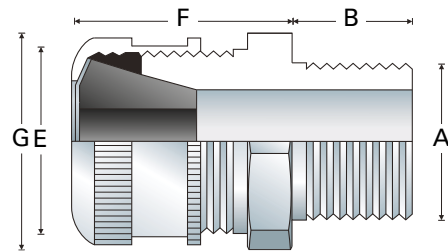
NEMA 3R

Certifications and compliances:

cULus Listed – UL File E23223

Suitable for use in Class I, Div. 2 hazardous locations when installed in accordance with NEC501.10(B)(4)

Suitable for use in wet locations



CGB - for non-armoured cable

Technical specification

SELECTION TABLE		DIMENSIONS						NPT CATALOG NUMBER
THREAD SIZE A	FORM	OUTER SHEATH 'E' MIN - MAX	EXTERNAL DIAMETER 'G'	ACROSS FLATS	ACROSS CORNERS 'G'	GLAND LENGTH 'F' LESS ENTRY	THREAD LENGTH 'B' NPT	
NPT								
3/8"	A	0.125 - 0.250	1.063	-	0.750	0.875	0.540	CGB3814
3/8"	A	0.250 - 0.375	1.063	-	0.750	0.875	0.540	CGB3816
3/8"	A	0.375 - 0.437	1.063	-	0.750	0.875	0.540	CGB3817
3/8"	B	0.125 - 0.250	1.313	-	1.000	1.125	0.540	CGB3892
3/8"	B	0.250 - 0.375	1.313	-	1.000	1.125	0.540	CGB3893
3/8"	B	0.375 - 0.500	1.313	-	1.000	1.125	0.540	CGB3894
1/2"	A	0.125 - 0.250	1.000	-	0.875	0.969	0.625†	CGB114†
1/2"	A	0.250 - 0.375	1.000	-	0.875	0.969	0.625†	CGB116†
1/2"	A	0.375 - 0.437	1.000	-	0.875	0.969	0.625†	CGB117†
1/2"	B	0.125 - 0.250	1.313	-	1.125	1.250	0.690*†	CGB192*†
1/2"	B	0.250 - 0.375	1.313	-	1.125	1.250	0.690*†	CGB193*†
1/2"	B	0.375 - 0.500	1.313	-	1.125	1.250	0.690*†	CGB194*†
1/2"	B	0.500 - 0.625	1.313	-	1.125	1.250	0.690*†	CGB195*†
1/2"	C	0.625 - 0.750	1.750	-	1.500	1.656	0.625*	CGB196*†
1/2"	C	0.750 - 0.875	1.750	-	1.500	1.656	0.625*†	CGB197*†
3/4"	B	0.125 - 0.250	1.375	-	1.250	1.405	0.625†	CGB292†
3/4"	B	0.250 - 0.375	1.375	-	1.250	1.405	0.625†	CGB293†
3/4"	B	0.375 - 0.500	1.375	-	1.250	1.405	0.625†	CGB294†
3/4"	B	0.500 - 0.625	1.375	-	1.250	1.405	0.625†	CGB295†
3/4"	C	0.625 - 0.750	1.750	-	1.630	1.780	0.625*†	CGB296*†
3/4"	C	0.750 - 0.875	1.750	-	1.630	1.780	0.625*†	CGB297*†
3/4"	D	0.875 - 1.000	2.500	2.250	2.130	2.250	0.625*†	CGB298*†
1"	B	0.250 - 0.375	1.375	-	1.375	1.550	0.625†	CGB393†
1"	B	0.375 - 0.500	1.375	-	1.375	1.550	0.625†	CGB394†
1"	C	0.500 - 0.625	1.688	-	1.500	1.656	0.688*†	CGB395*†
1"	C	0.625 - 0.750	1.688	-	1.500	1.656	0.688*†	CGB396*†
1"	C	0.750 - 0.875	1.688	-	1.500	1.656	0.688*†	CGB397*†
1"	C	0.875 - 1.000	1.688	-	1.500	1.656	0.688†	CGB3239†
1"	D	0.875 - 1.000	2.375	2.375	2.125	2.250	0.830*†	CGB398*†
1"	D	1.000 - 1.188	2.375	2.375	2.125	2.250	0.830*†	CGB399*†
1"	D	1.188 - 1.375	2.375	2.375	2.125	2.250	0.830*†	CGB3911*†
1 1/4"	D	0.875 - 1.000	2.313	2.250	2.125	2.250	0.830	CGB498†
1 1/4"	D	1.000 - 1.188	2.313	2.250	2.125	2.250	0.830	CGB499†
1 1/4"	D	1.188 - 1.375	2.313	2.250	2.125	2.250	0.830	CGB4911†
1 1/4"	E	1.375 - 1.625	2.625	3.000	-	-	0.688	CGB4913
1 1/4"	E	1.625 - 1.875	2.625	3.000	-	-	0.688	CGB4915
1 1/2"	D	0.875 - 1.000	2.313	2.250	2.130	2.250	0.956	CGB598†
1 1/2"	D	1.000 - 1.188	2.313	2.250	2.130	2.250	0.956	CGB599†
1 1/2"	D	1.188 - 1.375	2.313	2.250	2.130	2.250	0.956	CGB5911†
1 1/2"	E	1.375 - 1.625	2.625	3.000	-	-	0.813	CGB5913
1 1/2"	E	1.625 - 1.875	2.625	3.000	-	-	0.813	CGB5915
2"	E	1.375 - 1.625	2.625	3.000	-	-	0.813	CGB6913
2"	E	1.625 - 1.875	2.625	3.000	-	-	0.813	CGB6915
2"	F	1.875 - 2.188	2.563	3.813	-	-	0.813	CGB6917
2"	F	2.188 - 2.500	2.563	3.813	-	-	0.813	CGB6920
2 1/2"	E	1.375 - 1.625	2.625	3.125	-	-	1.000	CGB7913
2 1/2"	E	1.625 - 1.875	2.625	3.125	-	-	1.000	CGB7915
2 1/2"	F	1.875 - 2.188	2.625	3.875	-	-	1.438	CGB7917
2 1/2"	F	2.188 - 2.500	2.625	3.875	-	-	1.000	CGB7920
3"	F	1.875 - 2.188	2.625	3.875	-	-	1.000	CGB8917
3"	F	2.188 - 2.500	2.625	3.875	-	-	1.000	CGB8920

To order options, add suffix after gland type, e.g:

CGB192-SG (for sealing gasket)

CGB195-SA (for aluminum construction)

All dimensions in inches unless otherwise stated.

† With optional aluminum construction

* With optional sealing gasket



CGE - for non-armoured cable

Technical specification



Suitable for the following cable types:

CGE cord and cable fittings are listed for use with flexible cords and tray cable types TC, TC-ER, TC-ER-HL, ITC, ITC-ER, ITC-HL, PLTC and PLTC-ER cables.

➡ Non-armoured cable

Operating temperature:

-25°C to +40°C

Material:

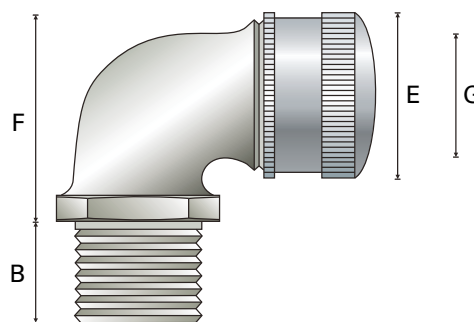
90° angle with male thread
Standard body material is Feraloy® iron alloy
Standard gland nut material is steel

Features:

Weatherproof seal on outer sheath of cable
Standard neoprene seal suitable for use in operating temperatures -25°C to +40°C
Available with NPT threads

Certifications and compliances:

cULus Listed – UL File E23223
Suitable for use in wet locations



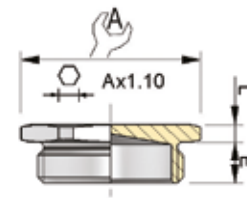
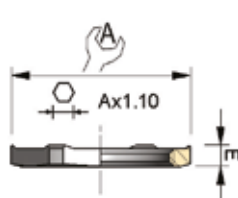
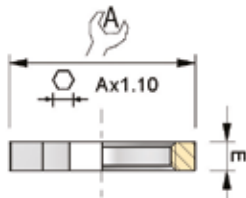
SELECTION TABLE	DIMENSIONS				NPT CATALOG NUMBER
THREAD SIZE	OUTER SHEATH E' MIN - MAX	EXTERNAL DIAMETER 'G'	GLAND LENGTH 'F' LESS ENTRY	THREAD LENGTH 'B' NPT	
NPT					
1/2"	0.12 - 0.25	1.19	1.44	0.71	CGE192
1/2"	0.25 - 0.37	1.19	1.44	0.71	CGE193
1/2"	0.37 - 0.50	1.19	1.44	0.71	CGE194
1/2"	0.50 - 0.62	1.19	1.44	0.71	CGE195
1/2"	0.62 - 0.75	1.63	2.00	0.71	CGE196
1/2"	0.75 - 0.87	1.63	2.00	0.71	CGE197
3/4"	0.12 - 0.25	1.19	1.41	0.71	CGE292
3/4"	0.25 - 0.37	1.19	1.41	0.71	CGE293
3/4"	0.37 - 0.50	1.19	1.41	0.71	CGE294
3/4"	0.50 - 0.62	1.19	1.41	0.71	CGE295
3/4"	0.62 - 0.75	1.63	1.88	0.71	CGE296
3/4"	0.75 - 0.87	1.63	1.88	0.71	CGE297
1"	0.50 - 0.62	1.63	2.06	0.71	CGE395
1"	0.62 - 0.75	1.63	2.09	0.71	CGE396
1"	0.75 - 0.87	1.63	2.09	0.71	CGE397
1"	0.87 - 1.00	2.25	2.09	0.71	CGE3239
1"	0.87 - 1.00	2.25	2.66	0.71	CGE398
1"	1.00 - 1.19	1.63	2.66	0.71	CGE399
1"	1.19 - 1.37	2.25	2.66	0.71	CGE3911

All dimensions in inches unless otherwise stated.

Technical specification

Features:

- Material : nickel-plated brass / stainless steel 316L (stainless steel 316L: replace last digit by 9)
- Electrical thread Pg – Standard guide UTE C 68-311 – DIN 40430
- Adapters, plugs and reducers: IP66, IP68 with fiber or neoprene sealing washer.



LOCKNUT			CATALOG NUMBER
Pg	A	E	
Pg7	15.0	3.0	CAP280704
Pg9	18.0	3.0	CAP280904
Pg11	21.0	3.0	CAP281104
Pg13	23.0	3.0	CAP281304
Pg16	26.0	3.0	CAP281604
Pg21	32.0	3.5	CAP282104
Pg29	41.0	4.0	CAP282904
Pg36	51.0	5.0	CAP283604
Pg42	58.0	5.0	CAP284204
N°48 NFC	64.0	6.0	CAP284804
Pg48 DIN	64.0	6.0	CAP284884

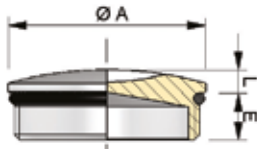
All dimensions in mm.

EARTHING LOCKNUT			CATALOG NUMBER
Pg	A	E	
Pg7	15.0	3.0	CAP280794
Pg9	18.0	3.0	CAP280994
Pg11	21.0	3.0	CAP281194
Pg13	23.0	3.0	CAP281394
Pg16	26.0	3.0	CAP281694
Pg21	32.0	3.5	CAP282194
Pg29	41.0	4.0	CAP282994
Pg36	51.0	5.0	CAP283694
Pg42	58.0	5.0	CAP284294
N°48 NFC	64.0	6.0	CAP284894
Pg48 DIN	64.0	6.0	CAP284994

All dimensions in mm.

STOPPING PLUG				CATALOG NUMBER
Pg	A	L	E	
Pg7	15.0	2.5	6.5	CAP190704
Pg9	18.0	2.5	6.5	CAP190904
Pg11	21.0	3.0	7.0	CAP191104
Pg13	23.0	3.0	7.0	CAP191304
Pg16	26.0	3.5	7.0	CAP191604
Pg21	32.0	4.0	8.0	CAP192104
Pg29	41.0	4.0	8.5	CAP192904
Pg36	51.0	5.0	8.5	CAP193604
Pg42	58.0	6.0	10.0	CAP194204
N°48 NFC	64.0	6.5	11.0	CAP194804
Pg48 DIN	64.0	6.5	11.0	CAP194884

All dimensions in mm.

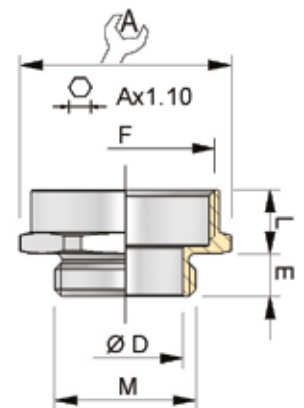


DOME HEAD				CATALOG NUMBER
Pg	ØA	L	E	
Pg7	14.0	2.5	6.5	CAP196074
Pg9	17.0	2.5	6.5	CAP196094
Pg11	20.0	3.0	7.0	CAP196114
Pg13	22.0	3.0	7.0	CAP196134
Pg16	24.0	3.5	7.0	CAP196174
Pg21	30.0	4.0	8.0	CAP196214
Pg29	39.0	4.0	8.5	CAP196294
Pg36	50.0	5.0	8.5	CAP196364
Pg42	57.0	6.0	10.0	CAP196424
N°48 NFC	64.0	6.5	11.0	CAP196484
Pg48 DIN	64.0	6.5	11.0	CAP196494

All dimensions in mm.

ADAPTER						CATALOG NUMBER
Pg M	Pg F	A	L	E	ØD	
Pg7	Pg9	17.0	7.5	4.0	10.0	CAP070904
Pg9	Pg11	20.0	8.5	5.0	12.0	CAP091104
Pg9	Pg13	22.0	8.5	5.0	12.0	CAP091304
Pg11	Pg13	22.0	8.5	6.0	15.0	CAP111304
Pg11	Pg16	24.0	8.5	6.0	15.0	CAP111604
Pg13	Pg16	24.0	8.5	6.0	16.5	CAP131604
Pg13	Pg21	30.0	8.5	6.0	16.5	CAP132104
Pg16	Pg21	30.0	10.0	6.0	18.5	CAP162104
Pg21	Pg29	40.0	11.5	7.0	24.0	CAP212904
Pg29	Pg36	50.0	11.5	8.0	32.0	CAP293604
Pg36	Pg42	58.0	15.0	8.0	41.0	CAP364204
Pg36	N°48 NFC	64.0	15.0	8.0	41.0	CAP364804
Pg42	N°48 NFC	64.0	15.0	8.0	48.0	CAP424804
Pg36	Pg48 DIN	64.0	15.0	8.0	41.0	CAP364884
Pg42	Pg48 DIN	64.0	15.0	8.0	48.0	CAP424884

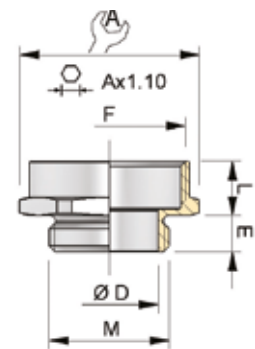
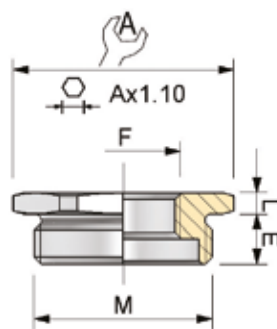
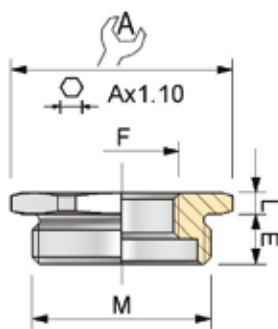
All dimensions in mm.



Technical specification

Features:

- Material : nickel-plated brass / stainless steel 316L (stainless steel 316L: replace last digit by 9)
- Electrical thread Pg – Standard guide UTE C 68-311 – DIN 40430
- Adapters, plugs and reducers: IP66, IP68 with fiber or neoprene sealing washer.



REDUCERS					CATALOG NUMBER
Pg M	Pg F	A	L	E	
Pg9	Pg7	16.0	2.0	5.0	CAP090704
Pg11	Pg7	20.0	2.0	6.0	CAP110704
Pg11	Pg9	20.0	2.0	6.0	CAP110904
Pg13	Pg9	22.0	2.5	6.0	CAP130904
Pg13	Pg11	22.0	2.5	6.0	CAP131104
Pg16	Pg9	24.0	2.5	6.0	CAP160904
Pg16	Pg11	24.0	2.5	6.0	CAP161104
Pg16	Pg13	24.0	2.5	6.0	CAP161304
Pg21	Pg09	30.0	3.0	7.0	CAP210904
Pg21	Pg11	30.0	3.0	7.0	CAP211104
Pg21	Pg13	30.0	3.0	7.0	CAP211304
Pg21	Pg16	30.0	3.0	7.0	CAP211604
Pg29	Pg16	38.0	3.0	8.0	CAP291604
Pg29	Pg21	38.0	3.0	8.0	CAP292104
Pg36	Pg21	38.0	3.5	8.0	CAP362104
Pg36	Pg29	48.0	3.5	8.0	CAP362904
Pg42	Pg29	58.0	4.0	10.0	CAP422904
Pg42	Pg36	58.0	4.0	10.0	CAP423604
N°48 NFC	Pg29	62.0	4.0	10.0	CAP482904
N°48 NFC	Pg36	62.0	4.0	10.0	CAP483604
N°48 NFC	Pg42	62.0	4.0	10.0	CAP484204
Pg48 DIN	Pg36	62.0	4.0	10.0	CAP483684
Pg48 DIN	Pg42	62.0	4.0	10.0	CAP484284

All dimensions in mm.

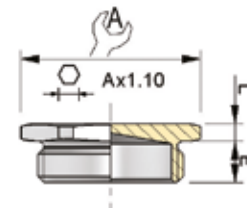
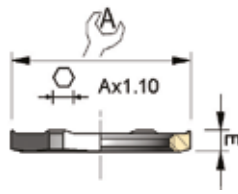
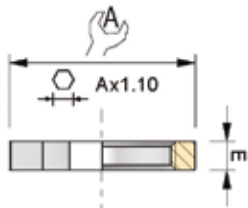
REDUCERS							CATALOG NUMBER
Pg M	ISO F	A	L	E	ØD	TYPE	
Pg7	12	14.0	7.0	6.5	9.8	1	CAP751774
Pg7	16	19.0	8.5	6.5	9.8	1	CAP750094
Pg9	12	19.0	2.5	6.5		2	CAP751844
Pg9	16	19.0	8.5	6.5	12.0	1	CAP750104
Pg9	20	22.0	8.5	6.5	12.0	1	CAP750364
Pg11	12	21.0	3.0	7.0		2	CAP751874
Pg11	16	21.0	7.5	7.0		2	CAP750114
Pg11	20	22.0	8.5	7.0	15.0	1	CAP750374
Pg13	16	23.0	3.0	7.0		2	CAP750124
Pg13	20	24.0	8.5	7.0	16.8	1	CAP750384
Pg13	25	27.0	9.5	7.0	16.8	1	CAP750644
Pg16	16	27.0	3.0	8.0		2	CAP750134
Pg16	20	27.0	7.5	8.0	18.5	1	CAP750394
Pg16	25	27.0	9.5	8.0	18.8	1	CAP750654
Pg21	25	32.0	3.5	8.0		2	CAP750864
Pg21	32	34.0	10.5	8.0	24.0	1	CAP750924
Pg29	32	42.0	4.0	8.5		2	CAP750934
Pg29	40	42.0	10.5	8.5	32.8	1	CAP751194
Pg36	40	51.0	4.5	8.5		2	CAP751294
Pg36	50	53.0	11.5	8.5	42.5	1	CAP751464
Pg42	50	58.0	4.5	10.0		2	CAP751474
Pg42	63	67.0	13.0	10.0	49.5	1	CAP751734
Pg48 DIN	50	64.0	5.0	11.0		2	CAP751484
Pg48 DIN	63	67.0	13.0	11.0	54.5	1	CAP751744

All dimensions in mm.

Technical specification

Features:

- Material : nickel-plated brass / stainless steel 316L (stainless steel 316L: replace last digit by 9)
- ISO thread – Standard guide IEC 60 423
- Adapters, plugs and reducers: IP66, IP68 with fiber or neoprene sealing washer



LOCKNUT			CATALOG NUMBER
ISO	A	E	
10	12.0	2.5	CAP221094
12	23.0	3.0	CAP221294
16	29.0	4.0	CAP221694
20	35.0	4.0	CAP222094
25	44.0	4.5	CAP222594
32	60.0	4.8	CAP223294
40	69.0	5.0	CAP224094
50	87.0	6.5	CAP225094
63	103.0	6.5	CAP226394
75	104.0	8.0	CAP227594
90	122.0	8.0	CAP229094
110	132.0	9.0	CAP221104

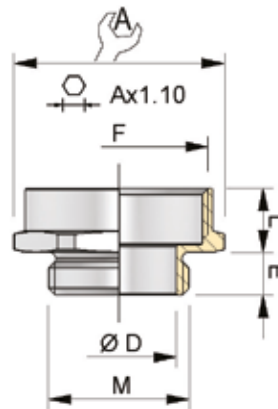
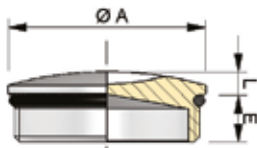
EARTHING LOCKNUT			CATALOG NUMBER
ISO	A	E	
10	12.0	2.5	CAP229104
12	14.0	3.0	CAP229124
16	18.0	3.0	CAP229164
20	23.0	3.0	CAP229204
25	28.0	3.0	CAP229254
32	36.0	3.5	CAP229324
40	44.0	4.0	CAP229404
50	54.0	5.0	CAP229504
63	70.0	6.0	CAP229634

STOPPING PLUG				CATALOG NUMBER
ISO	A	L	E	
12	15.0	2.5	6.5	CAP197124
16	18.0	2.5	6.5	CAP197164
20	23.0	3.0	6.5	CAP197204
25	28.0	3.0	7.0	CAP197254
32	36.0	3.5	8.0	CAP197324
40	44.0	4.0	8.0	CAP197404
50	54.0	4.5	9.0	CAP197504
63	67.0	5.5	10.0	CAP197634

All dimensions in mm.

All dimensions in mm.

All dimensions in mm.



DOME HEAD				CATALOG NUMBER
ISO	A	L	E	
12	14.0	3.0	5.0	CAP196124
16	18.0	3.0	6.0	CAP196164
20	22.0	3.0	6.5	CAP196204
25	27.0	4.0	7.0	CAP196254
32	34.0	4.0	8.0	CAP196324
40	44.0	5.0	8.0	CAP196404
50	54.0	5.5	9.0	CAP196504
63	67.0	6.0	10.0	CAP196634

ADAPTER						CATALOG NUMBER
ISO M	ISO F	A	L	E	ØD	
12	16	18.0	8.0	5.0	8.8	CAP755334
16	20	22.0	8.0	6.0	12.5	CAP750274
20	25	27.0	9.0	6.0	16.2	CAP750544
25	32	36.0	10.5	7.0	21.0	CAP750814
32	40	42.0	10.5	8.0	28.0	CAP751084
40	50	52.0	11.5	8.0	35.8	CAP751354
50	63	67.0	12.5	9.0	45.8	CAP751624

All dimensions in mm.

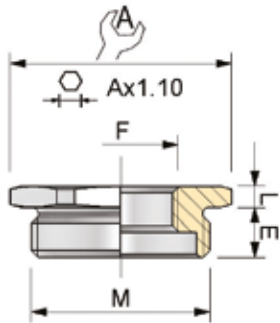
All dimensions in mm.



CHS Controls AB
Tel +46 42 38 61 00, Fax +46 42 38 61 29
chs@chscontrols.se www.chscontrols.se

Capri industrial accessories

Technical specification



REDUCERS					CATALOG NUMBER
ISO M	ISO F	A	L	E	
16	12	18.0	2.5	6.0	CAP755834
20	12	22.0	3.0	6.0	CAP750044
20	16	22.0	3.0	6.0	CAP750024
25	16	28.0	3.0	7.0	CAP750034
25	20	28.0	3.0	7.0	CAP750294
32	16	36.0	3.5	8.0	CAP759104
32	20	36.0	3.5	8.0	CAP750304
32	25	36.0	3.5	8.0	CAP750564
40	16	44.0	4.0	8.0	CAP759164
40	20	44.0	4.0	8.0	CAP759204
40	25	44.0	4.0	8.0	CAP750574
40	32	44.0	4.0	8.0	CAP750834
50	40	54.0	4.5	9.0	CAP751204
63	50	67.0	5.0	10.0	CAP751374

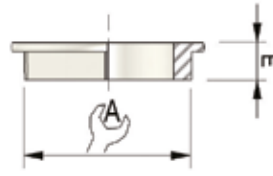
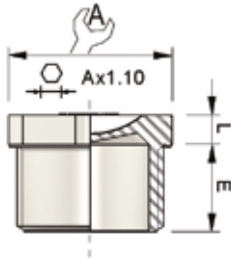
All dimensions in mm.



Technical specification

Features:

- Material : nickel-plated brass / stainless steel 316L (stainless steel 316L: replace last digit by 9)
- Electrical thread Pg – Standard guide UTE C 68-311 – DIN 40430
- Adapters, plugs and reducers: IP66, IP68 with fiber or neoprene sealing washer.

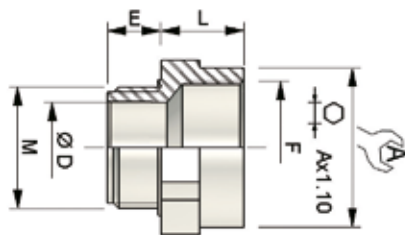
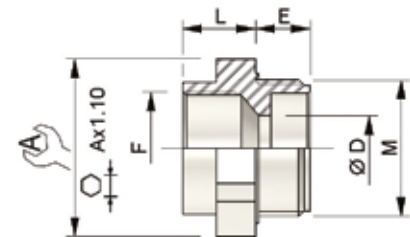


STOPPING PLUG				CATALOG NUMBER
Pg	A	L	E	
Pg7	15.0	4.0	8.0	CAP190770
Pg9	19.0	4.5	10.0	CAP190970
Pg11	22.0	4.5	10.5	CAP191170
Pg13	24.0	5.0	11.0	CAP191370
Pg16	27.0	5.0	12.0	CAP191670
Pg21	32.0	5.5	12.5	CAP192170
Pg29	40.0	5.5	13.5	CAP192970
Pg36	54.0	6.0	15.0	CAP193670
Pg42	59.0	6.5	15.0	CAP193670
N°48 NFC	64.0	6.5	15.0	CAP194870
Pg48 DIN	64.0	6.5	10.0	CAP194879

LOCKNUT			CATALOG NUMBER
Pg	A	E	
Pg7	15.0	4.5	CAP260770
Pg9	19.0	4.5	CAP260970
Pg11	22.0	5.0	CAP261170
Pg13	24.0	5.5	CAP261370
Pg16	27.0	6.0	CAP261670
Pg21	32.0	6.5	CAP262170
Pg29	41.0	7.5	CAP262970
Pg36	54.0	9.0	CAP263670
Pg42	60.0	9.0	CAP264270
N°C8 NFC	67.0	9.5	CAP264870
Pg48 DIN	67.0	9.5	CAP264878

All dimensions in mm.

All dimensions in mm.



ADAPTERS					CATALOG NUMBER
Pg M	Pg F	A	L	E	
Pg7	Pg9	19.0	13.5	6.5	CAP070970
Pg9	Pg11	22.0	14.0	7.0	CAP091170
Pg11	Pg13	24.0	14.0	8.0	CAP111370
Pg13	Pg16	27.0	14.0	9.0	CAP131670
Pg16	Pg21	32.0	18.5	9.0	CAP162170
Pg21	Pg29	41.0	19.5	10.0	CAP212970
Pg29	Pg36	55.0	22.0	12.0	CAP293670
Pg36	Pg42	60.0	21.0	14.0	CAP364270
Pg36	N°48 NFC	65.0	23.5	14.0	CAP364870

All dimensions in mm.

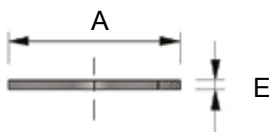
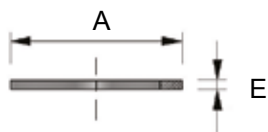
REDUCERS					CATALOG NUMBER
Pg M	Pg F	A	L	E	
Pg9	Pg7	19.0	11.0	7.0	CAP090770
Pg11	Pg7	22.0	10.5	8.0	CAP110770
Pg11	Pg9	22.0	12.0	8.0	CAP110970
Pg13	Pg9	24.0	11.5	9.0	CAP130970
Pg13	Pg11	24.0	12.0	9.0	CAP131170
Pg16	Pg9	27.0	11.5	9.0	CAP160970
Pg16	Pg11	27.0	12.0	9.0	CAP161170
Pg16	Pg13	27.0	13.0	9.0	CAP161370
Pg21	Pg11	32.0	11.5	10.0	CAP211170
Pg21	Pg13	32.0	12.5	10.0	CAP211370
Pg21	Pg16	32.0	12.5	10.0	CAP211670
Pg29	Pg13	41.0	12.5	12.0	CAP291370
Pg29	Pg16	41.0	12.5	12.0	CAP291670
Pg29	Pg21	41.0	16.5	12.0	CAP292170
Pg36	Pg29	55.0	16.5	14.0	CAP362970
Pg42	Pg36	60.0	20.5	16.0	CAP423670
N°48 NFC	Pg36	65.0	20.5	16.0	CAP483670

All dimensions in mm.

Technical specification

Features:

- Material : nickel-plated brass / stainless steel 316L (stainless steel 316L: replace last digit by 9)
- Electrical thread Pg – Standard guide UTE C 68-311 – DIN 40430
- Adaptors, plugs and reducers: IP66, IP68 with fiber or neoprene sealing washer



FIBER SEALING WASHER			REFERENCE
Pg	A	E	
Pg7	17.0	1.5	CAP240750
Pg9	21.0	1.5	CAP240950
Pg11	25.0	1.5	CAP241150
Pg13	27.0	1.5	CAP241350
Pg16	31.0	1.5	CAP241650
Pg21	39.0	1.5	CAP242150
Pg29	50.0	1.5	CAP242950
Pg36	64.0	1.5	CAP243650
Pg42	73.0	1.5	CAP244250
N°48 NFC	79.0	2.0	CAP244850
Pg48 DIN	79.0	2.0	CAP244850
G2''1/2	94.0	2.0	CAP245050
G3''	107.0	2.0	CAP246050
G4''	133.0	2.0	CAP248050

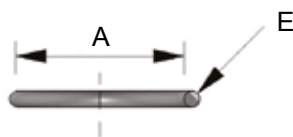
All dimensions in mm.

NEOPRENE SEALING WASHER			REFERENCE
Pg	A	E	
Pg7	17.0	1.2	CAP240749
Pg9	21.0	1.2	CAP240949
Pg11	24.0	1.2	CAP241149
Pg13	27.0	1.2	CAP241349
Pg16	30.0	1.2	CAP241649
Pg21	35.0	1.2	CAP242149
Pg29	45.0	1.2	CAP242949
Pg36	60.0	1.2	CAP243649
Pg42	65.0	1.2	CAP244249
N° 48 NFC	71.0	1.2	CAP244849
Pg48 DIN	71.0	1.2	CAP244849
G2''1/2	90.0	1.2	CAP245049
G3''	109.0	1.2	CAP246049
G4''	136.0	1.2	CAP248049

All dimensions in mm.

PVC REDUCE RING NORMANDIX / ECP				REFERENCE
Pg	Pg	MIN	MAX	
PG9	PG7	3.5	6.5	CAP240735
PG11	PG9	5.5	8.7	CAP240935
PG13	PG9	5.5	8.7	CAP241235
PG13	PG11	7.0	10.5	CAP241135
PG16	PG9	5.5	8.7	CAP241535
PG16	PG11	7.0	10.5	CAP241435
PG16	PG13	8.0	12.5	CAP241335
PG21	PG16	10.0	15.0	CAP241635
PG29	PG21	14.0	19.0	CAP242135
PG36	PG29	17.5	22.5	CAP242935
PG42	PG36	22.0	32.5	CAP242635
No48 NFC	PG36	22.0	32.5	CAP244735

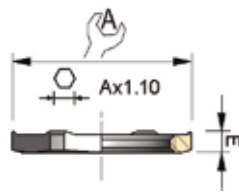
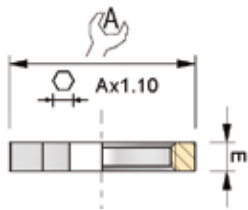
All dimensions in mm.



PERBUNAN O-RING			REFERENCE
Pg	A	E	
Pg7	10.0	1.3	CAP240746
Pg9	12.0	1.6	CAP240946
Pg11	16.0	1.6	CAP241146
Pg13	16.0	1.6	CAP241346
Pg16	18.5	1.6	CAP241646
Pg21	23.5	1.8	CAP242146
Pg29	32.0	1.6	CAP242946
Pg36	41.0	1.8	CAP243646
Pg42	46.0	1.8	CAP244246
N°48 NFC	55.0	2.0	CAP244846
Pg48 DIN	55.0	2.0	CAP244846

All dimensions in mm.

Technical specification

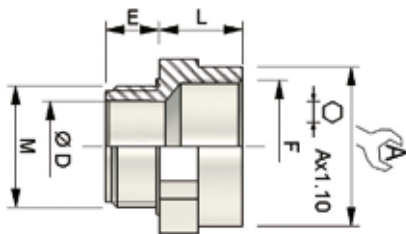
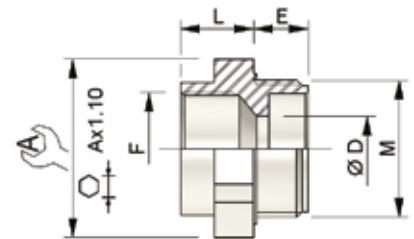


STOPPING PLUG				REFERENCE
ISO	A	L	E	
12	15.0	4.0	15.0	CAP190126
16	19.0	4.0	15.0	CAP190166
20	23.0	4.0	15.0	CAP190206
25	28.0	5.0	15.0	CAP190256
32	36.0	5.5	15.0	CAP190326
40	44.0	5.5	15.0	CAP190406
50	54.0	6.0	16.0	CAP190506
63	67.0	6.5	17.0	CAP190636

All dimensions in mm.

LOCKNUT			REFERENCE
ISO	A	E	
12	18.0	4.5	CAP261273
16	22.0	5.0	CAP261673
20	26.0	5.5	CAP262073
25	32.0	6.0	CAP262573
32	41.0	7.0	CAP263273
40	50.0	8.0	CAP264073
50	60.0	8.0	CAP265073
63	75.0	9.0	CAP266373

All dimensions in mm.



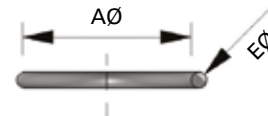
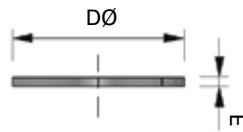
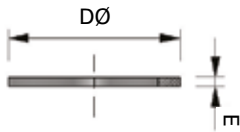
ADAPTOR						REFERENCE
ISO M	ISO F	A	L	E	D	
16	20	24.0	13.0	8.0	11.5	CAP750265
20	25	29.0	15.0	9.0	15.5	CAP750245
25	32	36.0	15.0	11.0	20.0	CAP750705

All dimensions in mm.

REDUCERS					REFERENCE
ISO M	ISO F	A	L	E	
20	12	24.0	4.0	8.0	CAP750015
20	16	24.0	4.5	8.0	CAP750025
25	12	29.0	6.0	8.0	CAP750275
25	16	29.0	6.0	8.0	CAP750285
25	20	29.0	6.0	8.0	CAP750295
32	12	36.0	6.0	8.0	CAP750535
32	16	36.0	6.0	10.0	CAP750545
32	20	36.0	6.0	10.0	CAP750555
32	25	36.0	6.0	10.0	CAP750565
40	16	36.0	6.0	10.0	CAP750805
40	20	46.0	6.0	10.0	CAP750815
40	25	46.0	6.0	10.0	CAP750825
40	32	46.0	6.0	10.0	CAP750835
50	20	55.0	6.0	10.0	CAP751075
50	25	55.0	6.0	12.0	CAP751085
50	32	55.0	6.0	12.0	CAP751095
50	40	55.0	6.0	12.0	CAP751105
63	25	68.0	6.0	12.0	CAP751345
63	32	68.0	6.0	12.0	CAP751355
63	40	68.0	6.0	12.0	CAP751365
63	50	68.0	6.0	12.0	CAP751375

All dimensions in mm.

Technical specification



FIBER SEALING WASHER			REFERENCE
ISO	D	E	
10	15.0	1.2	CAP221045
12	18.0	1.2	CAP221245
16	22.0	1.2	CAP221645
20	27.0	1.2	CAP222045
25	35.0	1.5	CAP222545
32	43.0	1.5	CAP223245
40	55.0	1.5	CAP224045
50	69.0	1.5	CAP225045
63	82.0	2.0	CAP226345
75	94.0	2.0	CAP227545
90	110.0	2.0	CAP229045
110	130.0	2.0	CAP221145

All dimensions in mm.

NEOPRENE SEALING WASHER			REFERENCE
ISO	D	E	
10	15.0	1.2	CAP221049
12	18.0	1.2	CAP221249
16	18.0	1.2	CAP221649
20	22.0	1.2	CAP222049
25	24.0	1.5	CAP222549
32	30.0	1.5	CAP223249
40	42.0	1.5	CAP224049
50	52.0	1.5	CAP225049
63	63.0	2.0	CAP226349
75	90.0	2.0	CAP227549
90	106.0	2.0	CAP229049
110	126.0	2.0	CAP221149

All dimensions in mm.

PERBUNAN O-RING			REFERENCE
ISO	A	E	
12	10.0	1.8	CAP241244
16	12.5	1.8	CAP241644
20	17.0	1.8	CAP242044
25	22.0	1.8	CAP242544
32	28.0	1.6	CAP243244
40	37.0	1.8	CAP244044
50	46.0	1.8	CAP245044
63	57.0	1.8	CAP246344

All dimensions in mm.

Technical information



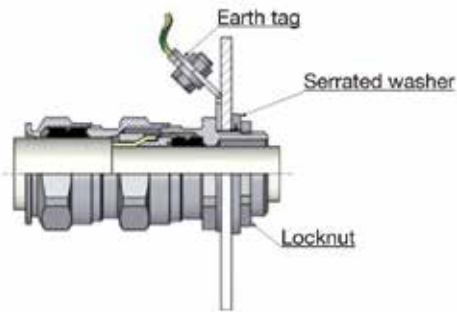
CHS Controls AB
Tel +46 42 38 61 00, Fax +46 42 38 61 29
chs@chscontrols.se www.chscontrols.se

Cable glands - installation guide

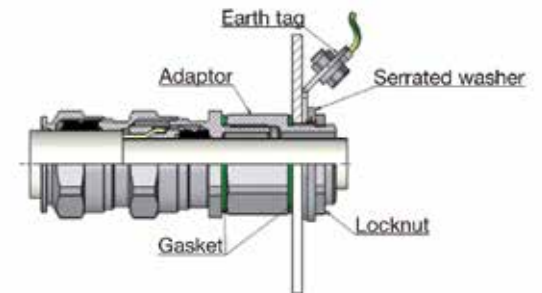
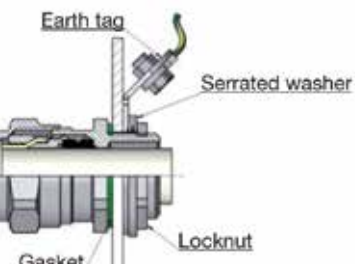
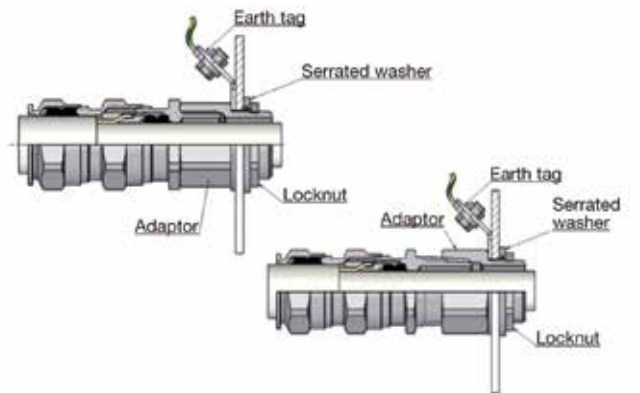
Fixing - blank hole

ISO

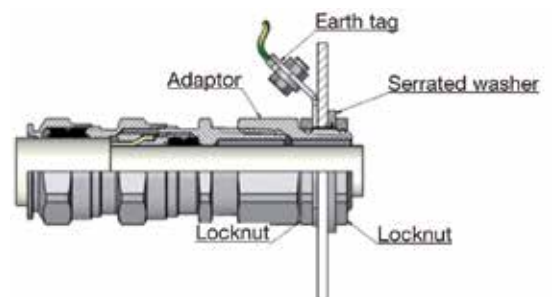
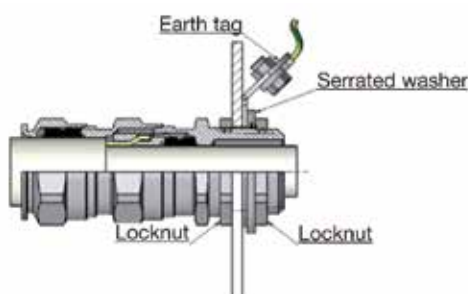
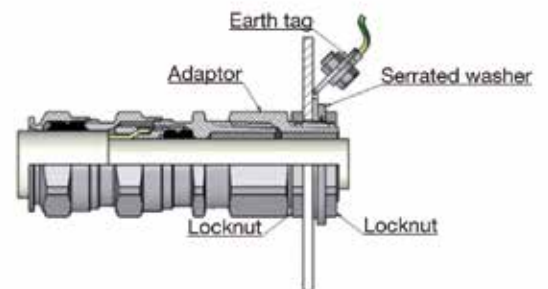
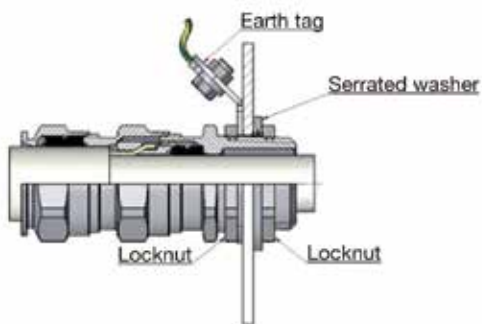
Cable gland



Cable gland with an accessory



NPT

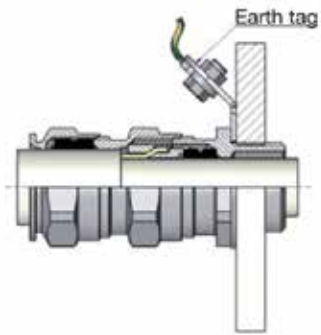


Cable glands - installation guide

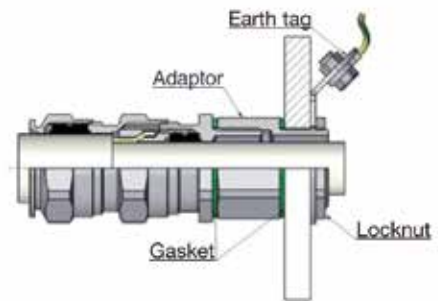
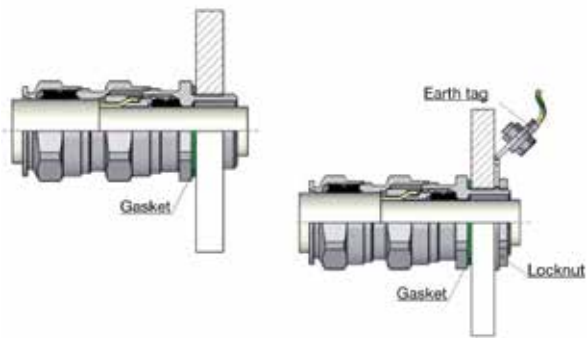
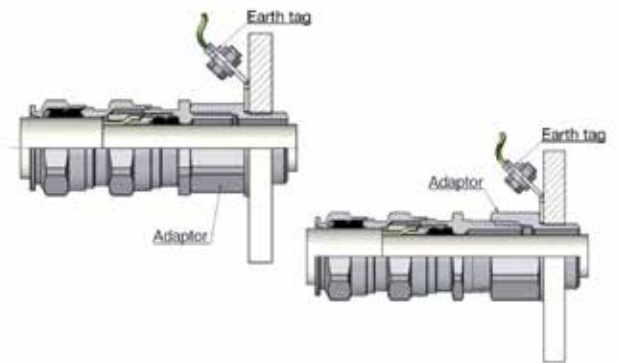
Fixing - threaded hole

ISO

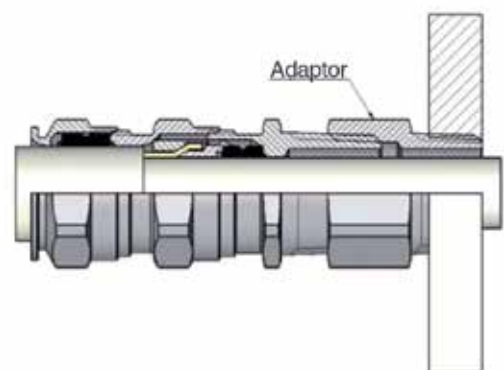
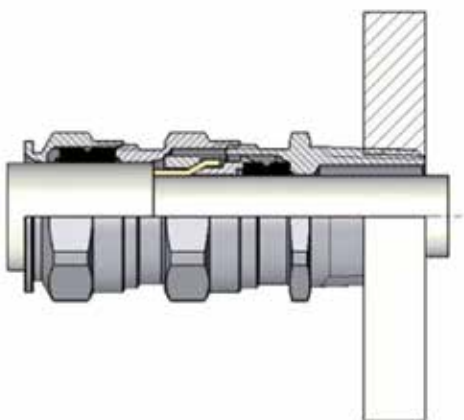
Cable gland



Cable gland with an accessory



NPT



Capri cable gland certifications

ADE Ex Certification	LOCATIONS		HAZARDOUS LOCATIONS				
	Labs:	ATEX / INERIS	IECEX / INERIS	CCoE	INMETRO/CEPEL	KOSHA	
<p>ADE-1F2,1F2 A,1F2 DS Cable outer Ø 2.75 to 104 mm Metric fixing thread M10 to M110 NPT fixing thread 1/8" to 4"</p> <p>ADE-4F and 5F; n°4 to 17 Cable outer Ø 4.5 to 104 mm Metric fixing thread M10 to M110 NPT fixing thread 1/8" to 4"</p> <p>ADE-6F; n°5 to 11 Cable outer Ø 6 to 48 mm Metric fixing thread M16 to M63 NPT fixing thread 3/8" to 2"</p> <p>ADE-1FC; n°4 to 16 Cable outer Ø 4 to 93 mm Metric fixing thread M16 to M110 NPT fixing thread 3/8" to 4"</p> <p>ADE-6FC; n°5 to 17 Cable outer Ø 6 to 104 mm Metric fixing thread M16 to M110 NPT fixing thread 3/8" to 4"</p>	Certificate no:	INERIS 12ATEX0032X	IECEX INE12.0025X	P360379/1	05.0558X 1F2, 1F2 A, 1F2 DS, 1FC 05.0559X 4F, 5F, 6F, 6FC	2015-BO-0245 to 0248 4F 2015-BO-0249 to 0256 1F2, 1F2 A, 1F2 DS 2015-BO-0479 to 0482 1FC 2015-BO-0483 to 0490 5F, 6F 2015-BO-0491 to 0494 6FC	
	Standards:	EN 60079-0:2012; 60079-1:2007; 60079-7:2007; 60079-31:2009 IEC 60079-0:2011; 60079-1:2007; 60079-7:2006; 60079-31:2008	IEC 60079-0:2011; 60079-1:2007; 60079-7:2006; 60079-15:2010; 60079-31:2008	IEC 60079-0:2011; 60079-1:2007; 60079-7:2006; 60079-15:2010	ABNT NBR IEC 60079-0:2008; 60079-1:2009; 60079-7:2008; 60529:2009 IEC 60079-15:2010; 60079-31:2008	2013-54 IEC 60079-0:2004; IEC 60079-1:2003; IEC 60079-7:2001; IEC 60079-15:2005; IEC 61241-1:2004	
	Protections:	II2GD Ex db IIC Ex eb IIC Ex tb IIIIC II3G Ex nRc IIC IM2 Ex db I/Ex eb I	Ex db IIC Ex eb IIC Ex tb IIIIC Ex db I Ex eb I	Ex db IIC Ex eb IIC Ex nRc IIC	Ex db IIC Ex eb IIC Ex nRc IIC	Ex db IIC Ex eb IIC Ex tb IIIIC Ex db I Ex eb I	Ex d IIC Ex e II Ex nR II Ex tD A21
	GR I special note:	Minimum thread M16 and 3/8" NPT, 1F2 A brass, bronze no:8-17; stainless steel no:4-17; 1F2 DS brass, bronze and stainless steel no:8-17; 4F and 5F brass, bronze no:7-17; stainless steel no:4-17					
	Operating temperatures:	ADE-1F2, 1F2 A, 1F2 DS, 4F and 5F: Black ring: -30°C to +80°C; red or grey ring: -60°C to +140°C ADE-6F: Red or grey ring ring: -60°C to +80°C ADE-1FC and 6FC: TSC compound: -60°C to +80°C					
	Cable types:	Non-armoured cable with ADE-1F2, 1F2 A, 1F2 DS and 1FC. Armoured or braided cable with ADE-4F, 5F, 6F and 6FC.					
IP:	IP66, IP67, IP68 (30m/7days).						

ADE UL Certification	cULus and UL	cULus Marine	UL Marine
File No:	E310130	E314047	E324850
Standards:	UL 2225 UL 514B CSA C22.2 no: 60079-0:07 CSA E60079-7:03 CSA C22.2 no: 60079-1:07	UL 2225 UL 60079-0 UL 60079-7	UL 2225 UL 514B
IP:	IP68 (with washers)	IP68 (with washers)	IP68 (with washers)
Scope of certification:	<p>Class I, Zone 1, AEx e II ADE-1F2, 1F2 A, 1F2 DS and 1FC no 3 to no 8, thread sizes 1/2" to 1 1/4" NPT or M20 to M40, with TC-ER-HL non-armoured cable up to diameter 1 inch.</p> <p>Class I, Zone 2, AEx e II, Ex e II ADE-1F2, -1F2 A and -1F2 DS no 3 to 17, 1/2" to 4" NPT or M20 to M110 with non-armoured cable ITC, MV, PLTC, TC-ER-HL, TC-ER and TC. ADE-4F and -5F no 4 to 17, 1/2" to 4" NPT or M20 to M110 with armoured cable ITC, MV, PLTC, TC-ER-HL, TC-ER and TC. ADE-6F no 5 to 11, 1/2" to 2" NPT or M20 to M63 with armoured cable ITC, MV, PLTC, TC-ER-HL, TC-ER and TC.</p> <p>Class I, Zone 2, AEx de II, Ex de II ADE-1FC no 4 to 16, 1/2" to 4" NPT or M20 to M110 with non-armoured cable ITC, MV, PLTC, TC-ER-HL, TC-ER, TC and TSC compound. ADE-6FC no 5 to 17, 1/2" to 4" NPT or M20 to M110 with armoured cable ITC, MV, PLTC, TC-ER-HL, TC-ER, TC and TSC compound.</p> <p>Class I, Division 1, Groups A, B, C and D ADE-1FC no 4 to 9, 1/2" to 1 1/4" NPT or M20 to M40 with TC-ER-HL cable and TSC compound. ADE-6FC no 5 to 9, 1/2" to 1 1/4" NPT or M20 to M40 with TC-ER-HL cable and TSC compound. ADE-1FC no 4 to 16, 1/2" to 4" NPT or M20 to M110 with ITC-HL cable and TSC compound. ADE-6FC no 5 to 17, 1/2" to 4" NPT or M20 to M110 with ITC-HL cable and TSC compound.</p> <p>Class I, Division 2, Groups A, B, C and D ADE-1FC no 4 to 16, 1/2" to 4" NPT or M20 to M110 with non-armoured cable PLTC, PLTC-ER, ITC, ITC-ER, ITC-HL, TC, TC-ER, TC-ER-HL, MV and TSC compound. ADE-6FC no 5 to 17, 1/2" to 4" NPT or M20 to M110 with armoured cable PLTC, PLTC-ER, ITC, ITC-ER, ITC-HL, TC, TC-ER, TC-ER-HL, MV and TSC compound.</p>	<p>Class I, Zone 2, AEx e II, Ex e II ADE-1F2, -1F2 A and -1F2 DS no 3 to 17, 1/2" to 4" NPT or M20 to M110 with non-armoured marine shipboard cable.</p> <p>Class I, Zone 1, AEx e II, Ex e II Hazardous Locations for: ADE-4F and -5F no 4 to 17, 1/2" to 4" NPT or M20 to M110 with armoured marine shipboard cable. ADE-6F no 5 to 11, 1/2" to 2" NPT or M20 to M63 with armoured marine shipboard cable.</p>	<p>Class I, Division 2, Groups A, B, C and D ADE-1FC no 4 to 16, 1/2" to 4" NPT or M20 to M110 with non-armoured marine shipboard cable and TSC compound.</p> <p>Class I, Division 1, Groups A, B, C and D ADE-6FC no 5 to 17, 1/2" to 4" NPT or M20 to M110 with armoured marine shipboard cable and TSC compound.</p>
Operating temperature:	ADE-1F2, 1F2 A, 1F2 DS, 4F and 5F Black ring: -30°C to +80°C; red/grey ring: -60°C to +140°C ADE-6F, 1FC, 6FC -60°C to +80°C		ADE-1FC, 6FC -20°C to +40°C

The Zone 1 and 2 marking allow installation in all gas atmospheres allowed by Article 505 of the NEC and section 18 of CEC. Per the NEC, 501.5, Zone 1 or 2 cable glands are permitted in a Division 2 location for non-sparking and arcing applications.

HAZARDOUS LOCATIONS			HAZARDOUS LOCATIONS FOR SHIPPING APPLICATIONS				DELUGE
NANIO EAC	NEPSI	SABS	BV	DNV	ABS	LLOYDS	Dcns
TC RU C-FR.Г605.B.00858	GYJ13.1082X	MS/15-0314X	40910/A0 BV	TAE000010X	14-HS1274083-2-PDA	11/00072	DTS0 120121029
TR CU 012/2011 ГОСТ Р МЭК 60079-0:2011; 60079-1:2011; 60079-7:2012; 60079-15:2010; 60079-31:2010	GB 3836.1-2010; 3836.2-2010; 3836.3-2010; 12476.1-2000	SANS 60079-0:2012; 60079-1:2009; 60079-7:2009; 60079-15:2010; 60079-31:2009	IEC 60079-0:2011; 60079-1:2007; 60079-7:2006; 60079-15:2010; 60079-31:2008	EN 62444/1998 60079-0:2012; 60079-1:2007; 60079-7:2007; 60079-31:2009 IEC 62444:2014; 60079-0:2011; 60079-1:2007; 60079-7:2006; 60079-31:2008	ABS: 2014 Steel Vessels Rules 1-1-4/7.7, 1-1-A3, 1-1-A4 (4-8-3/1, 7 & 13, 4-8-4/27.4) ABS: 2014 Offshore Units & Structures 1-1-4/9.7, 1-1-A2, 1-1-A3 (4-3-3/9.1.2) UL 2225 IEC 60079-0:2011; 60079-1:2007 60079-7:2006; 60079-15:2010 60079-31:2008	IEC 60079-0:2011; 60079-1:2007 60079-7:2006; 60079-15:2010; 60079-31:2008 UL 2225 514B C22.2 No1	DTS01:1991
1Ex d IIC Gb X 1Ex e IIC Gb X Ex nR IIC Gc X Ex tb IIIC Db PB Ex db I X PB Ex eb I X	Ex d IIC Gb Ex e IIC Gb Ex d I Mb Ex e I Mb DIP A21	Ex db IIC Ex eb IIC Ex tb IIIC Ex nRc IIC Ex db I Ex eb I	Ex db IIC Ex eb IIC Ex tb IIIC Ex nRc IIC Ex db I Ex eb I	Ex db IIC Ex eb IIC Ex tb IIIC Ex nRc IIC Ex db I Ex eb I			

	ATEX	IECEX	SHIPPING APPLICATION	
Certificate No:	INERIS13ATEX0008X	IECEX INE13.0003X	BV 40909_A0	
NEWCAP	Standards:	EN 60079-0:2009 EN 60079-7:2007 EN 60079-31:2009 IEC 60079-0:2011 IEC 60079-7:2006 IEC 60079-31:2008	IEC 60079-0:2011 IEC 60079-7:2006 IEC 60079-15:2010 IEC 60079-31:2008	IEC 60079-0:2011 IEC 60079-7:2006 IEC 60079-15:2010 IEC 60079-31: 2008
	Protections:	I12GD Ex eb IIC, Ex tb IIIC I13G Ex nRc IIC	Ex eb IIC Ex nRc IIC Ex tb IIIC	Ex eb IIC Ex nRc IIC Ex tb IIIC
	IP:	IP66, IP67, IP68		
	Operating Temperature:	-20°C to +80°C		

	ATEX	IECEX	
Certificate no:	PTB14ATEX1015X	IECEX-PTB14.0027X	
EXACAP	Standards:	EN 60079-0:2012 EN 60079-7:2007 EN 60079-31:2009	IEC 60079-0:2011 IEC 60079-7:2006-2007 IEC 60079-31:2008
	Protections:	I12G Ex e IIC Gb I12D Ex tb IIIC Db	Ex e IIC Gb Ex tb IIIC Db
	IP:	IP66	
	Operating temperature:	-55°C to +70°C	



Crouse-Hinds cable gland certification

US Cable Gland certification (January 2014):					
UL Certification	File No.	cULus E122485	UL E36379	UL E22133	LR13046
	Standards:	UL2225 3rd Ed. and UL 514B	UL 514B	UL 514B	CSA C22.2 NO 174
TMCX II Cable outer Ø 0.49 to 1.39 inches Fixing Thread NPT : 1/2" to 1 1/4"	Classification:	TMCX II : cULus Listed Class I Div 1 ABCD, Class II EFG, Class III			
	Sealing type, Service temperature and Environmental	TMCX II : TSC compound, Chico LiquidSeal : -40°C to +60°C : NEMA 6P			
	Cable type:	TMCX II : MC-HL (Metal Clad for Hazardous Locations), MC (Metal Clad), TECK, TC (Tray Cable)			
TMCX Cable outer Ø 0.49 to 4.28 inches Fixing Thread NPT : 1/2" to 4"	Classification:	TMCX : UL Listed Class I Div 1 ABCD, Class II EFG, Class III			TMCX : CSA Listed Class I Div 1 ABCD, Class II EFG, Class III
	Sealing type, Service temperature and Environmental	TMCX : TSC compound: -25°C to +40°C : NEMA 4X			TMCX : TSC compound: -25°C to +40°C
	Cable type:	TMCX : MC-HL (Metal Clad for Hazardous Locations), MC (Metal Clad), TECK			TMCX : MC-HL (Metal Clad for Hazardous Locations), MC (Metal Clad), TECK
TMC Cable outer Ø 0.49 to 4.28 inches Fixing Thread NPT : 1/2" to 4"	Classification:		UL Listed Ordinary Locations		
	Sealing type, Service temperature and Environmental		Neoprene seal : -25°C to +60°C : NEMA 4		
	Cable type:		MC (Metal Clad)		
TECK Cable outer Ø 0.52 to 4.34 inches Fixing Thread NPT : 1/2" to 4"	Classification:				CSA Certified Class II EFG, Class III
	Sealing type, Service temperature and Environmental				Neoprene seal : -25°C to +60°C : Type 4 and IP56
	Cable type:				TECK
CGB Cable outer Ø 0.12 to 2.50 inches Fixing Thread NPT : 3/8" to 3"	Classification:			cULus Listed Ordinary Locations	
	Sealing type, Service temperature and Environmental			Neoprene seal : -25°C to +40°C	
	Cable type:			Non-armoured	
CGD Cable outer Ø 0.12 to 0.87 inches Fixing Thread NPT : 1/2" to 3/4"	Classification:				
	Sealing type, Service temperature and Environmental				
	Cable type:				
CGE Cable outer Ø 0.12 to 1.37 inches Fixing Thread NPT : 1/2" to 1"	Classification:				
	Sealing type, Service temperature and Environmental				
	Cable type:				

Cable types and wiring methods

		CABLE TYPES															
		MC	MC-HL	TC/TC-ER	TC-ER-HL†	MI	TECK	TECK-HL	PLTC/PLTC-ER	MV	ITC/ITC-ER	ITC-HL	SWA#	STA#	SWB	Braided marine shipboard	Non-armoured
IEC	Zone 1			■				■					■	■	■	■	■
	Zone 2			■				■					■	■	■	■	■
NORTH AMERICA	Div 1		■		■	■	■*	■*				■				■**	
	Div 2	■	■	■	■	■	■	■	■	■	■	■	■			■	■
	Zone 1		■		■	■	■*	■*				■				■**	
	Zone 2	■	■	■	■	■	■	■	■	■	■	■	■			■	■

All wiring for Div 1 is suitable for Div 2
 All wiring for Zone 1 is suitable for Zone 2

† TC-ER-HL with above approvals up to 1" outer diameter cable only

Includes lead sheath cable

* Canada ONLY

** Armoured and sheathed marine shipboard cable can be used in Class 1, Division 1 locations offshore as mentioned in API RP114F

For Canada: Not Class 1. For areas under jurisdiction of Transport Canada's Electrical requirements per TP127E. For further details on Canada specific requirements please contact your local Eaton representative.








IEC Wiring methods

Although there are no IEC construction standards for the cables intended for use in flammable atmospheres, according to IEC 60079-14:2002, 10.4.2(b), if a cable gland with an elastomeric flameproof sealing ring is to be used, when connecting cables to Ex d equipment enclosures, the cable should be:- substantially compact and circular, have an extruded bedding (without gaps), have fillers, if any are used, which are non-hygroscopic.



NEC/CEC Wiring methods

As shown in the table above, the only cables that are permitted for use in Class1 Div1 are those that are mechanically protected by armour. The three protection techniques approved for Class1 Div1 locations are "intrinsically safe", "Purge and Pressurized" and "Explosionproof." When using the explosionproof protection technique, the cable must be sealed at the point of entry with an approved sealing device.

Armoured cable

	STEEL WIRED ARMoured	ADE-4F*
	STEEL BRAID ARMoured	ADE-5F*
	STEEL TAPE ARMoured	ADE-6F
	TYPE P CABLE	ADE-6FC
	METAL CLAD	* Lead sheathed on ADE-4F and ADE-5F ONLY
	TECK	TMCX TMCX II TMC
	TECK	TMCX TMCX II TECK

Non-armoured cable

	NON-ARMoured	ADE-1F2 ADE-1F2 DS ADE-1F2 A ADE-1F2 O-RING ADE-1FC
	TRAY / TYPE P	ADE-1F2 ADE-1F2 DS ADE-1F2 A ADE-1F2 O-RING ADE-1FC ADE-6FC TMCX TMCX II CGB CGD CGE

Selection of cable glands - technical references

References to IEC Standards:

60079-14/Ed.5: Explosive atmospheres – Part 14: Electrical installations design, selection and erection

60079-0/Ed.6: Explosive atmospheres - Part 0: Equipment - General requirements

Extract from IEC 60079-14/Ed.5:

10.2 Selection of Cable Glands

Cable glands shall be in accordance with IEC 60079-0 and shall be selected to maintain the requirements of the protection technique according to the table below.

PROTECTION TECHNIQUE FOR THE EQUIPMENT	GLANDS, ADAPTORS AND BLANKING ELEMENT PROTECTION TECHNIQUE			
	Ex 'd' - see 10.6	EX 'e' - see 10.4	Ex 'n' - see 10.4	Ex 't' - see 10.7
Ex 'd'	X			
Ex 'e'	X	X		
Ex 'i' and Ex 'nL' - Group IIa	X	X	X see 16.5	
Ex 'i' - Group IIIa				X see 16.5
Ex 'm'	Ex 'm' would not normally be applied to wiring connections. The protection technique for connections shall suit the wiring system used.			
Ex 'n' except Ex 'nL' For Ex "nR" see also 10.8	X	X	X	
Ex 'o'	Ex 'o' would not normally be applied to wiring connections. The protection technique for connections shall suit the wiring system used			
Ex 'p', all types	X	X	X _b	
Ex 'pD'				X
Ex 'q'	Ex 'q' would not normally be applied to wiring connections. The protection technique for connections shall suit the wiring system used.			
Ex 's'	Only as allowed by the conditions of the certificate.			
Ex 't'				X

X denotes permitted use.

a) If only one intrinsically safe circuit is applied then there are no specified requirements for cable glands.

b) Only permitted for Gc installations.

To meet the ingress protection requirement it may also be necessary to seal between the cable glands, adaptors and blanking elements and the enclosure (for example by means of a sealing washer or thread sealant).

Note 2: In order to meet the minimum requirement of IP54, threaded cable entry devices into threaded cable entry plates or enclosures of 6 mm or greater thickness need no additional sealing between the cable entry device and the entry plate or enclosure providing the axis of the cable entry device is perpendicular to the external surface of the cable entry plate or enclosure.

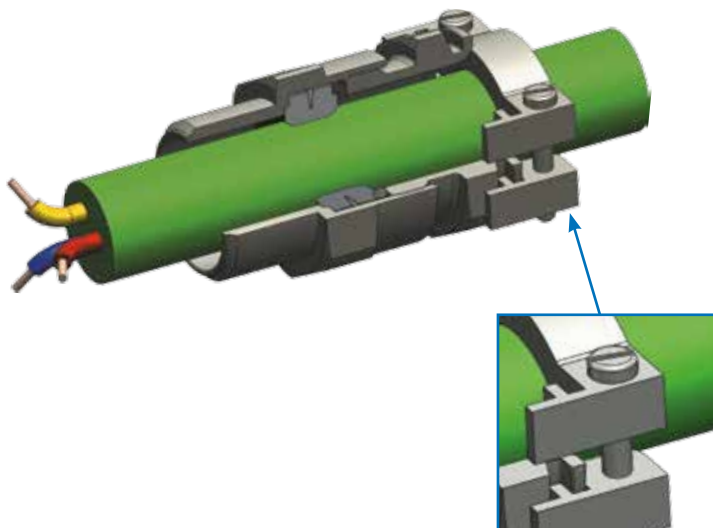
Selection of cable glands - technical references

10.3 Connections of cables to equipment

Cable glands shall be installed in a manner that after installation they are only capable of being released or dismantled by means of a tool.

If additional clamping is required to prevent pulling and twisting of the cable transmitting the forces to the conductor terminations inside the enclosure, a clamp shall be provided, as close as practicable to the gland along the cable.

Capri ADE gland with clamping module



NOTE 1 Cable clamps within 300 mm of the end of the cable gland are preferred.

Cables shall be routed straight from the cable gland to avoid lateral tension that may compromise the seal around the cable. Where cable glands, blanking elements and adaptors with tapered threads are used in enclosures having gland plates with unthreaded entries, care shall be taken to use appropriate fittings to maintain the enclosure integrity.

NOTE 2 Tapered threads include NPT threads.

When braided or armoured cables have been terminated within the cable gland, the body components that are intended to retain and secure the cable braid or armour should not be able to be released manually or opened by hand without the use of a tool.

The connection of cables to the electrical equipment shall be effected by means of cable glands appropriate to the type of cable used and shall maintain the explosion protection integrity of the relevant type of protection.

Where the threaded entry or hole size is different to that of the cable gland, a threaded adaptor complying with Table 10 shall be fitted.

10.6 Additional requirements for type of protection 'd' – flameproof enclosures

10.6.1 General

Where cables enter into flameproof equipment via flameproof bushings through the wall of the enclosure which are part of the equipment (indirect entry), the parts of the bushings outside the flameproof enclosure shall be protected in accordance with one of the types of protection listed in IEC 60079-0. For example, the exposed parts of the bushings are within a terminal compartment which may either be another flameproof enclosure or will be protected by type of protection "e".

If an Ex 'd' gland clamping by the sealing ring (compression) is used with braided or armoured cable, it shall be of the type where the braid or armour is terminated in the gland and compression takes place on the inner cable sheath. For fine braided cable, where the braid is less than 0.15 mm diameter and has coverage of at least 70 % compression only on the outer sheath is accepted.

NOTE 1 Flame propagation of flame may occur through the interstices between the strands of standard stranded conductors, or between individual cores of a cable. Special cable construction can be employed as means of reducing and preventing flame propagation. Examples include compacted strands, sealing of the individual strands, and extruded bedding. Further information is given in Annex E.

Selection of cable glands - technical references

Flameproof cable glands, adaptors or blanking elements, having parallel threads may be fitted with a sealing washer between the entry device and the flameproof enclosure provided that, after the washer has been fitted, the applicable thread engagement is still achieved. Thread engagement shall be at least five full threads. Suitable grease may be used provided it is non-setting, non-metallic and non-combustible and any earthing between the two is maintained.

Where taper threads are used, the connection shall be made wrench tight.

The addition of holes or alteration to thread form is only permitted when in compliance with the certification documents and completed by the manufacturer or certified workshops. Where the threaded entry or hole size is different to that of the cable gland, a flameproof threaded adaptor complying with IEC 60079-1 shall be fitted which complies with thread engagement requirements detailed above. Unused cable entries shall be sealed with a flameproof blanking element complying with IEC 60079-1, which shall be fitted directly to the hole (no threaded adaptor shall be used), and shall comply with thread engagement requirements detailed above and shall be secured against loosening.

NOTE 2 Non-threaded cable glands can be used if certified with the complete equipment or if certified as equipment.

10.6.2 Selection of cable glands

The cable entry system shall comply with one of the following:

- a) Cable glands sealed with setting compound (barrier cable glands) in compliance with IEC 60079-1 and certified as equipment;
- b) Cables and glands meeting all of the following:
 - cable glands comply with IEC 60079-1 and are certified as equipment
 - cables used comply with 9.3.2(a)
 - the connected cable is at least 3 m in length;
- c) Indirect cable entry using combination of flameproof enclosure with a bushing and increased safety terminal box;
- d) Mineral-insulated metal-sheathed cable with or without plastic outer covering with appropriate flameproof cable gland complying with IEC 60079-1;
- e) Flameproof sealing device (for example a sealing chamber) specified in the equipment documentation or complying with IEC 60079-1 and employing a cable gland appropriate to the cables used. The sealing device shall incorporate compound or other appropriate seals which permit stopping around individual cores. The sealing device shall be fitted at the point of entry of cables to the equipment.

NOTE 1 The minimum length of cable is to minimize the potential for flame transmission through the cable (see also Annex E);

NOTE 2 If the cable gland and actual cable are certified as a part of the equipment (enclosures) then compliance to 10.6.2 is not necessary.

Extract from IEC 60079-0/Ed.6:

Annex A - Supplementary requirements for cable glands

A.2.3 Clamping

A.2.3.1 General

Cable glands shall provide clamping of the cable in order to prevent pulling or twisting applied to it from being transmitted to the connections. Such clamping can be provided by a clamping device, sealing ring or filling compound. Whichever clamping arrangement is used, it shall be capable of meeting the relevant type tests in Clause A.3.

A.2.3.2 Group II or III cable glands

Cable glands for Group II or III equipment, without a clamping device, shall also be accepted as complying with this annex if they are capable of passing the clamping tests with values reduced to 25 % of those required in Clause A.3. The descriptive documents shall then state that such cable glands may not provide sufficient clamping and that the user shall provide additional clamping of the cable to ensure that pulling and twisting is not transmitted to the terminations. Such cable glands shall be marked with the symbol "X" to indicate this specific condition of use according to item e) of 29.3.

The author thanks the International Electrotechnical Commission (IEC) for permission to reproduce Information from its International Standard IEC 60079-14 ed.5.0 (2013). All such extracts are copyright of IEC, Geneva, Switzerland. All rights reserved. Further information on the IEC is available from www.iec.ch. IEC has no responsibility for the placement and context in which the extracts and contents are reproduced by the author, nor is IEC in any way responsible for the other content or accuracy therein.

IEC 60079-14 ed.5.0 Copyright © 2013 IEC Geneva, Switzerland. www.iec.ch

Bi-metallic corrosion

Material information

Bi-metallic corrosion

Bi-metallic corrosion occurs when two metals, with different potentials, are in electrical contact while immersed / in contact in an electrically conducting corrosive liquid / atmosphere. Because the metals have different natural potentials, a current will flow from the anode (more electronegative) metal to the cathode (more electropositive), which will increase the corrosion on the anode.

This additional corrosion is bi-metallic corrosion. It is also referred to as a galvanic corrosion, dissimilar metal corrosion or contact corrosion. The electrode potential is determined by many factors but the only fluid / atmospheres for which these factors are really well documented is sea water.

The value of the potential for any alloy, even in sea water, can be changed by a variety of factors such as temperature, velocity, biocide treatment, etc. Selection table below are thereby indicatives.

Key corrosion prevention points

- Don't mix metals. If only one material is used in a construction, the problem is avoided.
- Consider area effect to avoid bi-metallic corrosion. The area effect should also be considered in avoiding corrosion damage.
- Remember stainless steels, such as 316L, have a thin, protective oxidized film and while this is intact, corrosion rates are very low and the alloy is said to be in its passive state.
- The bi-metallic corrosion rate of many copper-based and of stainless steel in sea-water, depends upon the flow rate of the water as well as on the area ratio. Natural brass alloys tend to become less noble with increasing flow rate and to corrode more - thereby plating brass will improve the performance, while stainless steels become more noble and corrode less. In well-aerated flowing solutions, stainless steels are also likely to become passive and corrode less.



Indoor use

ENCLOSURE					
CABLE GLAND SERIES	316L STAINLESS STEEL	STEEL	BRASS	ALUMINUM	NON-METALLIC
Nickel-plated brass	S	S	S	S	S
316L stainless steel	S	S	S	S	S
Aluminum	S	L	L	S	S
Polyamide	S	S	S	S	S

Outdoor use in sea water environment

Nickel-plated brass	L	NC	S	L	S
316L stainless steel	S	L	L	NC	S
Aluminum	NC	NC	NC	S	S
Polyamide	S	S	S	S	S

S Suitable

L Limited corrosion

NC Not compliant. Severe corrosion - do not use

Thread dimension guide

Thread lengths

ADE - CABLE GLAND RANGE			
THREAD SIZE ISO	STANDARD LENGTH	THREAD SIZE NPT	STANDARD LENGTH
12	15.0	3/8" NPT	16.6
16	15.0	1/2" NPT	22.2
20	15.0	3/4" NPT	22.5
25	15.0	1" NPT	27.3
32	15.0	1 1/4" NPT	28.0
40	15.0	1 1/2" NPT	28.5
50	16.0	2" NPT	29.2
63	17.0	2 1/2" NPT	42.5
75	18.0	3" NPT	44.0
90	22.0	3 1/2" NPT	45.2
110	22.0	4" NPT	46.5

All dimensions in mm.

NEWCAP - CABLE GLAND RANGE				
THREAD SIZE ISO	STANDARD LENGTH	LONG LENGTH	THREAD SIZE Pg	STANDARD LENGTH
12	6.5	15.0	PG7	6.5
16	6.5	15.0	PG9	6.5
20	6.5	15.0	PG11	6.5
25	7.0	15.0	PG13.5	6.5
32	8.0	15.0	PG16	7.0
40	8.0	15.0	PG21	8.0
50	9.0	15.0	PG29	8.0
63	10.0	15.0	PG36	9.0
			PG48	10.0

All dimensions in mm.

Thread pitch

ISOMETRIC - (ISO) to BS 3643:1981			
SIZE	MAJOR DIAMETER (MM)	THREADS PER INCH	PITCH
16mm (M16)	16	16.93	1.50
20mm (M20)	20	16.93	1.50
25mm (M25)	25	16.93	1.50
32mm (M32)	32	16.93	1.50
40mm (M40)	40	16.93	1.50
50mm (M50)	50	16.93	1.50
63mm (M63)	63	16.93	1.50
75mm (M75)	75	16.93	1.50

All dimensions in mm.

NATIONAL PIPE THREAD - (NPT) to ANSI / ASME: 1983			
SIZE	MAJOR DIAMETER (MM)	THREADS PER INCH	PITCH
1/8" NPT	10.30	27	0.94
1/4" NPT	13.72	18	1.41
3/8" NPT	17.15	18	1.41
1/2" NPT	21.34	14	1.81
3/4" NPT	26.67	14	1.81
1" NPT	33.40	11 1/2	2.20
1 1/4" NPT	42.16	11 1/2	2.20
1 1/2" NPT	48.26	11 1/2	2.20
2" NPT	60.33	11 1/2	2.20
2 1/2" NPT	73.03	8	3.175
3" NPT	88.90	8	3.175
4" NPT	114.30	8	3.175

All dimensions in mm.

PANZERGEWINDE - (Pg) to EN 40430			
SIZE	MAJOR DIAMETER (MM)	THREADS PER INCH	PITCH
PG7	12.5	20	1.27
PG9	15.5	18	1.4112
PG11	18.6	18	1.4112
PG13.5	20.4	18	1.4112
PG16	22.5	18	1.4112
PG21	28.3	16	1.5875
PG29	37.0	16	1.5875
PG36	47.0	16	1.5875
PG42	54.0	16	1.5875
PG48	59.3	16	1.5875

All dimensions in mm.



Eaton's Crouse-Hinds

The safety you rely on.

See the complete offering of Cable Glands and Accessories at www.crouse-hinds.com.

**U.S. (Global Headquarters):
Eaton's Crouse-Hinds Division**

1201 Wolf Street
Syracuse, NY 13208
(866) 764-5454
FAX: (315) 477-5179
FAX Orders Only:
(866) 653-0640

CrouseCustomerCTR@
eaton.com

For more information:

If further assistance is required, please contact an authorized Eaton Distributor, Sales Office, or Customer Service Department.

Canada:

Toll Free: 800-265-0502
FAX: (800) 263-9504
FAX Orders only: (866) 653-0645

Mexico/Latin America/Caribbean:

52-555-804-4000
FAX: 52-555-804-4020
ventascentromex@eaton.com

Europe (Germany):

49 (0) 6271 806-500
49 (0) 6271 806-476
sales.CCH.de@
cooperindustries.com

Middle East (Dubai):

971 4 4272500
FAX: 971 4 4298521
chmesales@eaton.com

Singapore:

65-6645-9888
FAX: 65-6297-4819
chsi-sales@cooperindustries.com

China:

86-21-2899-3600
FAX: 86-21-2899-4055
cchsals@cooperindustries.com

Korea:

82-2-3484-6783
82-2-3484-6778
CCHK-sales@
cooperindustries.com

Australia:

61-2-8787-2777
FAX: 61-2-9609-2342
CEASales@cooperindustries.com

India:

91-124-4683888
FAX: 91-124-4683899
cchindia@eaton.com

Eaton Cooper Capri SAS

Eaton Cooper Capri SAS
36-40 Rue des Fontenils
41600 Nouan-le-Fuzelier France

T: +33 (0) 820 820 195

F: +33 (0) 820 820 924

W: www.cooperfrance.com

Eaton's Crouse-Hinds Division

1201 Wolf Street
Syracuse, NY 13208

T: +1 (866) 764-5454

F: +1 (315) 477-5179

W: www.crouse-hinds.com



CHS Controls AB

Tel +46 42 38 61 00, Fax +46 42 38 61 29
chs@chscontrols.se www.chscontrols.se

Eaton

1000 Eaton Boulevard
Cleveland, OH 44122
United States
Eaton.com

© 2016 Eaton Corporation
All Rights Reserved
Printed in UK
Publication No. CAP185003
September 2016

Eaton's Crouse-Hinds Division

1201 Wolf Street
Syracuse, NY 13208
(866) 764-5454
CrouseCustomerCTR@eaton.com

Eaton is a registered trademark.
All other trademarks are property
of their respective owners.



Powering Business Worldwide