

Condulet C30 and C31

conduit outlet boxes with covers

For IEC applications

Ex II 2 G EEx d IIC T6
Ex II 2 D IP66 T 85°C

Zones 1, 2, 21, 22

3F
3F

Applications:

C30 and C31 conduit outlet boxes are installed in electrical systems within hazardous areas to:

- Provide protection against exterior explosion where acetylene, hydrogen and other hazardous gases are present
- Protect conductors in threaded rigid conduit
- Act as pull and splice boxes
- Interconnect lengths of conduit
- Change conduit direction
- Provide access to conductors for maintenance and future system changes

Features:

C30 and C31 conduit outlet boxes have:

- Taper threaded hubs to provide ground continuity
- Smooth integral hub bushing to protect conductor insulation when pulling
- Threaded cover openings
- Surface covers furnished with boxes
- Neoprene o-ring gasket and green ground screw are both standard
- Cover threads are 16 pitch

Certifications and compliances:

- IP67

IEC:

- Ex d IIC T6
- Ex tD A21 IP67 T85°C
- EC-Type examination certificate: LOM 02 ATEX 2037 X
- Compliant to EN60079-0

Standard materials:

- Bodies and covers – light alloy, natural finish

Technical specifications:

Specifications	
Operating temperature range	-50°C to +55°C
Degree of protection	IP67
Rated voltage	Up to 690V
Rated current	Acc. terminals
Terminals	C30: up to 6mm ² ; C31: up to 10mm ²



C30



C31

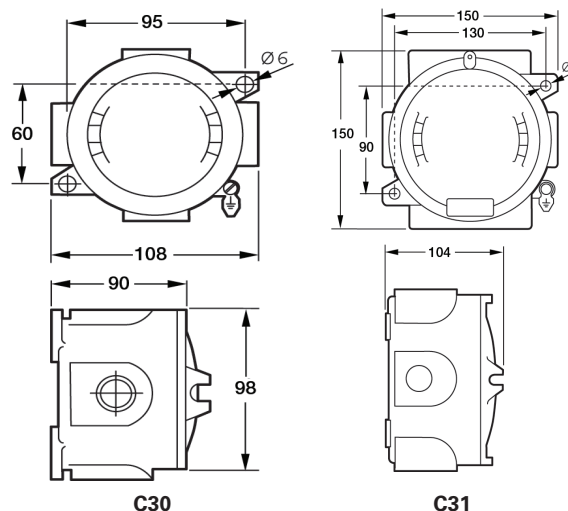
Ordering information:

Series	Shape	Hub size	Cat. # ^A
C30	T	3 x 1/2"	NOR 000 001 151 181
C30	T	3 x 3/4"	NOR 000 001 151 199
C30	X	4 x 1/2"	NOR 000 001 151 206
C30	X	4 x 3/4"	NOR 000 001 151 214
C31	T	3 x 1/2"	NOR 000 111 150 001
C31	T	3 x 3/4"	NOR 000 111 150 002
C31	T	3 x 1"	NOR 000 111 150 003
C31	X	4 x 1/2"	NOR 000 111 150 004
C31	X	4 x 3/4"	NOR 000 111 150 005
C31	X	4 x 1"	NOR 000 111 150 006

Accessories (ordered separately):

Description	Cat. #
• C30 mounting plate with pillar terminals 4 x 4mm ²	NOR 000 001 151 222
• C30 mounting plate without terminals.....	NOR 000 000 115 302
• C30 support rail DIN 46877.....	NOR 000 000 115 314
• C30 pending support.....	NOR 000 000 115 311
• C31 mounting plate with pillar terminals 4 x 4mm ²	NOR 000 111 150 009
• C31 mounting plate without terminals.....	NOR 000 000 115 306
• C31 support rail DIN 46877.....	NOR 000 000 115 315

Dimensions (in millimeters):



^A Other entries available upon request.