

Condulet CPS conduit outlet boxes with covers

Cl. I, Div. 1 & 2, Groups C, D
Cl. II, Div. 1, Groups E, F, G
Cl. II, Div. 2, Groups F, G
Cl. III

Explosionproof
Dust-ignitionproof

Applications:

CPS conduit outlet boxes are installed in conduit systems in hazardous areas to:

- Protect conductors in threaded rigid conduit
- Act as pull and splice boxes
- Change conduit direction
- Interconnect lengths of conduit
- Act as luminaire hangers with hub covers
- Provide access to conductors for maintenance and future system changes

Features:

CPS conduit outlet boxes have:

- Two types of cover:
 - Blank for splice or pull box use
 - Threaded hub for mounting luminaires
- Wide, accurately machined body and cover mating surfaces, to ensure flametight joint
- Blind tapped holes for cover screws to further ensure flametightness
- Removable mounting feet for flush or surface mounting to wall or ceiling

Certifications and compliances:

NEC/CEC:

- Class I, Divisions 1 & 2, Groups C, D
- Class II, Division 1, Groups E, F, G
- Class II, Division 2, Groups F, G
- Class III

UL standard:

- UL1203

CSA standard:

- C22.2 No. 30

Standard material:

- Feraloy iron alloy

Standard finish:

- Electrogalvanized and aluminum acrylic paint

Options:

- | Description | Suffix |
|--------------------------------|-------------|
| • Corro-free epoxy enamel..... | S752 |

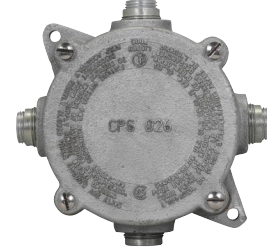
Ordering information:

Box with hub cover



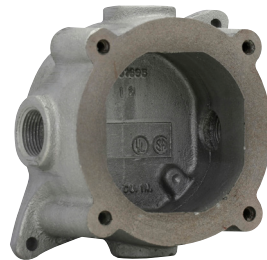
Body hub size ^A	Cover	Cat. #
1/2" and 3/4"	1/2"	CPS12021
1/2" and 3/4"	3/4"	CPS12022

Box with blank cover



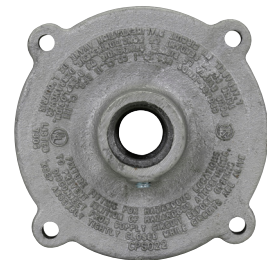
Hub size	Cat. #
1/2" and 3/4"	CPS12026

Body



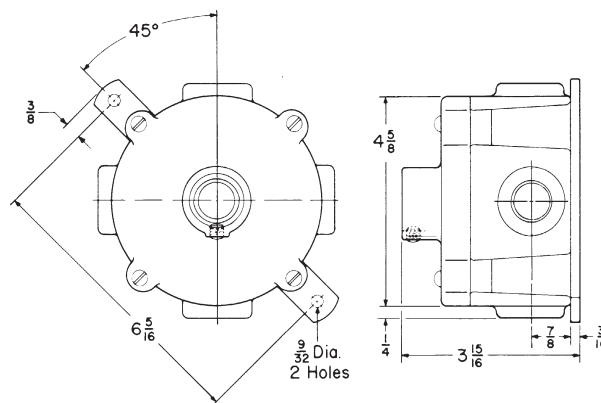
Hub size ^A	Cat. #
1/2" and 3/4"	CPS12

Hub covers



Hub size	Cat. #
1/2"	CPS021
3/4"	CPS022

Dimensions (in inches):



^AFurnished with four 3/8" standard taper tapped, integrally bushed hubs. Each hub as a 3/4" to 1/2" reducer. Three hubs are plugged.

See Section 6F for complete line of fixture hangers.