

# Condulet GUA conduit outlet boxes with covers – stainless steel

Cl. I, Div. 1 & 2, Groups C, D  
 Cl. II, Div. 1, Groups E, F, G  
 Cl. II, Div. 2, Groups F, G  
 Cl. III  
 NEMA 3, 4X

Explosionproof  
 Dust-ignitionproof  
 Raintight  
 Wet Locations

3F  
 3F

## Applications:

GUA conduit outlet boxes are installed within hazardous area conduit systems to:

- Protect conductors in threaded rigid conduit
- Act as pull and splice boxes
- Connect lengths of conduit
- Change conduit direction
- Provide access to conductors for maintenance and future system changes

## Features:

GUA conduit boxes have:

- Neoprene o-ring standard to meet NEMA 4X requirements
- Cast ears on cover to permit easy removal and tightening
- Internal green ground screw #10
- Threaded cover openings
- Five different hub arrangements
- Taper threaded hubs to provide grounding continuity
- Smooth integral hub bushing protects conductor insulation when pulling
- Surface covers furnished with boxes
- Cover threads are 12 pitch

## Stainless steel benefits:

- Self-healing properties help reduce the penetration of rust/corrosion and eliminate damage to the fitting
- Retain strength in extreme heat and extreme cold conditions
- Surface is easy to maintain and keep clean
- Easy cleaning capabilities make these fittings perfect for food processing and other hygienic areas where wash downs are common
- Superior strength and durability greatly reduce replacement – this will lower your total cost of ownership and increase your return on investment
- Do not require harsh environment-damaging cleaners to keep them looking like new

## Standard material:

- Bodies and covers – 316 stainless steel

## Certifications and compliances:

### NEC/CEC:

- Class I, Divisions 1 & 2, Groups C, D
- Class II, Division 1, Groups E, F, G
- Class II, Division 2, Groups F, G
- Class III

### UL standard:

- UL1203

### ANSI standard:

- C33.27

### CSA standard:

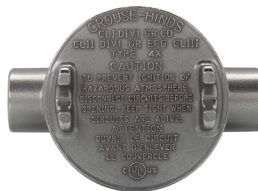
- C22.2 No. 30

### Environmental ratings:

- NEMA/EEMAC 3, 4X

## Ordering information:

### GUAC



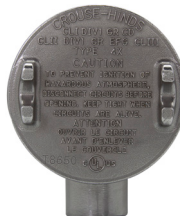
Hub size	Cover opening dia.	Cat. #
3/4"	3"	GUAC26 SS
1"	3"	GUAC36 SS

### GUAL



Hub size	Cover opening dia.	Cat. #
3/4"	3"	GUAL26 SS
1"	3"	GUAL36 SS

### GUAB



Hub size	Cover opening dia.	Cat. #
3/4"	3"	GUAB26 SS
1"	3"	GUAB36 SS

## Accessories (ordered separately):

### Description

### Cat. #

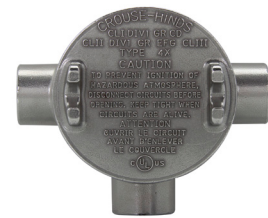
- 3/4" to 1/2" reducer .....RDU303029
- See Section 4F for more information

### GUAX



Hub size	Cover opening dia.	Cat. #
3/4"	3"	GUAX26 SS
1"	3"	GUAX36 SS

### GUAT



Hub size	Cover opening dia.	Cat. #
3/4"	3"	GUAT26 SS
1"	3"	GUAT36 SS

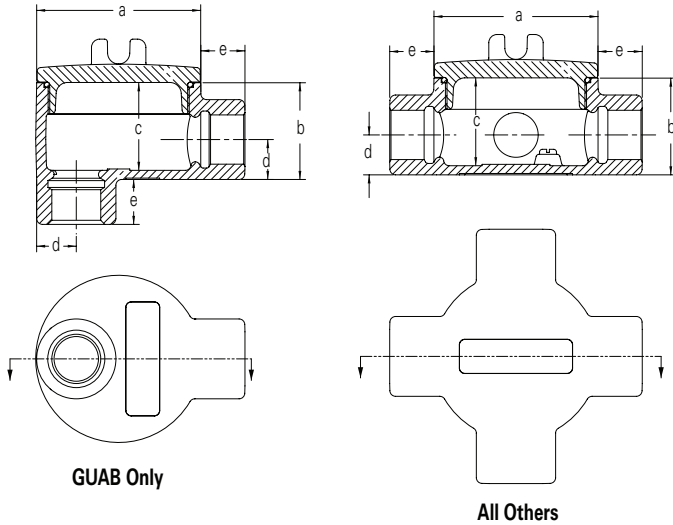
# Condulet GUA conduit outlet boxes with covers – stainless steel

Cl. I, Div. 1 & 2, Groups C, D  
 Cl. II, Div. 1, Groups E, F, G  
 Cl. II, Div. 2, Groups F, G  
 Cl. III  
 NEMA 3, 4X

Explosionproof  
 Dust-ignitionproof  
 Raintight  
 Wet Locations

# 3F

## Dimensions (in inches):



Cat. #	a	b	c	d	e
GUAB26 SS	3.60	2.11	1.93	0.66	0.78
GUAB36 SS	3.60	2.11	1.93	0.88	0.97
GUAC26 SS	3.60	2.11	1.93	0.66	0.78
GUAC36 SS	3.60	2.11	1.93	0.88	0.97
GUAL26 SS	3.60	2.11	1.93	0.66	0.78
GUAL36 SS	3.60	2.11	1.93	0.88	0.97
GUAT26 SS	3.60	2.11	1.93	0.66	0.78
GUAT36 SS	3.60	2.11	1.93	0.88	0.97
GUAX26 SS	3.60	2.11	1.93	0.66	0.78
GUAX36 SS	3.60	2.11	1.93	0.88	0.97