

E X - J U N C T I O N B O X

Plastic version for Zone 1, 2, 21 and 22

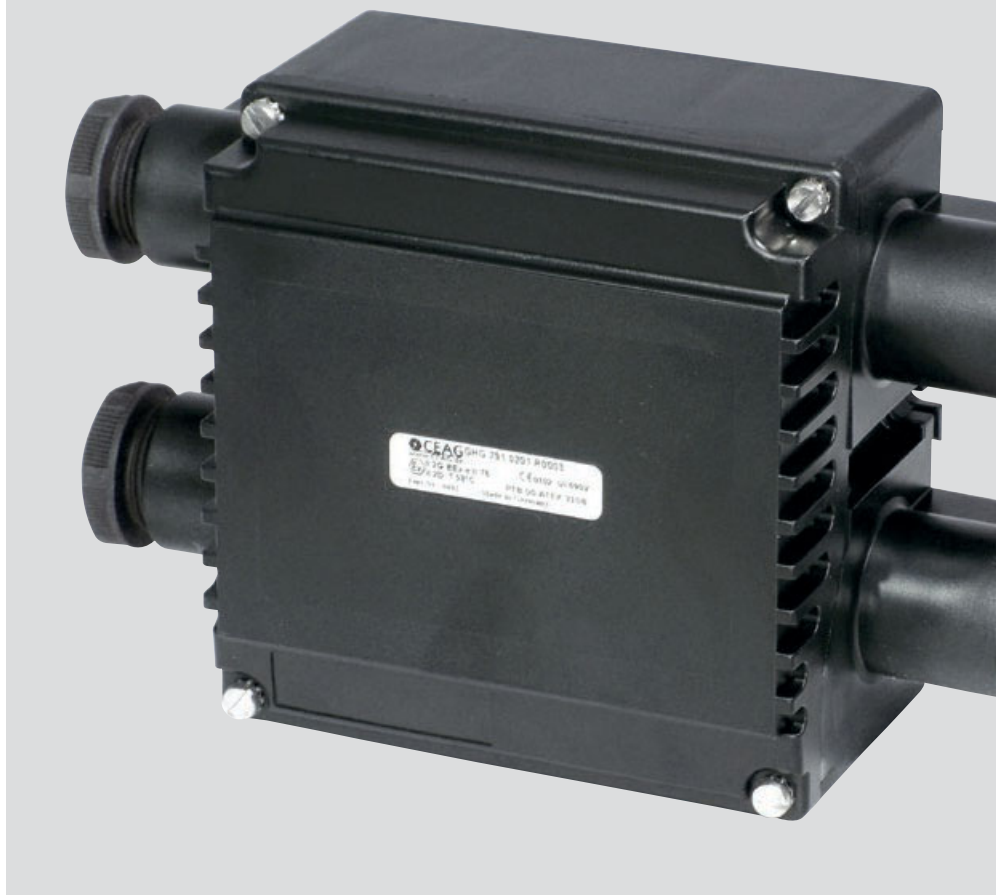
The robust junction boxes made of plastic and light alloy are featured by their simple mounting and installation capability and their design. They are fitted with pillar terminals for cable of up to 6 mm². The practical orientated housing form allows for problem-free access to the connection terminals for installation.

With the CEAG mounting system, the plastic junction boxes can be economically used for mounting on walls, trellis and pipes. With wire and cable entries in the sizes M25 or M32 for Ø 8 – 17 mm or Ø 12 – 21 mm respectively, all requirements for the modern day installation technology are fulfilled. For cable with armouring, there are junction boxes available with internal metal clamps or light alloy versions allowing for screw joints. For the wire and cable entries that are not used, there are certified blanking plugs supplied with the junction box. To enable a high chemical resistance of the light alloy junction boxes, these have been given an impact resistant plastic powder coating.

The cover screws and all other external metal parts are made of stainless steel (AISI 316L).

International approvals

- Decisive cost reduction with the CEAG mounting system
- Free accessible connection terminals
- Safety standard IP66
- Version for metal entries available





2

Technical data

GHG 791 01 up to 6 terminals / GHG 791 02 up to 8 terminals

Marking accd. to 94/9/EC	⊕ II 2 G Ex dem ia II, IIC T6 / ⊕ II 2 D Ex tD A21 IP66 T80 °C
EC-Type Examination Certificate	PTB 00 ATEX 3108
IECEX Certificate of Conformity	IECEX BK1 07.0034
Marking accd. to IECEx	Ex e II T6 / Ex ia IIC T6 Ex tD A21 IP66 T58 °C
Permissible ambient temperature	-20 °C to +40 °C / -55 °C to +40 °C (option)
Rated voltage	690 V / 550 V ¹⁾
Rated current	depends on terminal cross section
Terminal cross section	max. 3 x 4 mm ² or 1 x 10 mm ² with pin cable lug + 1 x 2.5 mm ² fine wire max. 3 x 6 mm ² or 4 x 4 mm ² solid-wire
Protection class	I
Degree of protection accd. to EN 60529	IP66
Enclosure material	Polyamide

GHG 791 01 up to 6 terminals

Cable entry/enclosure drilling	max. 4 x M25 for cable Ø 10 - 17 mm max. 4 x M20 metal thread
Connecting terminals	4 x + 1 PE
Dimensions (L x W x H)	81.5 x 100 x 61 mm
Weight	approx. 0.3 kg

GHG 791 02 up to 8 terminals

Cable entry/enclosure drilling	max. 6 x M25 for cable Ø 10 - 17 mm max. 6 x M32 for cable Ø 12 - 21 mm max. 6 x M20 metal thread
Connecting terminals	6 x + 2 PE
Dimensions (L x W x H)	117.5 x 113.5 x 73.5 mm
Weight	approx. 0.5 kg

¹⁾ for cage clamp terminals

Ex-junction box



GHG 791 0101 R0001



GHG 791 0101 R0019



GHG 791 0101 R0068



GHG 791 0201 R0006

Ordering details

Content	Cable gland	No. of terminals	Order No.
GHG 791 01 up to 6 terminals			
	2 x M25 for cable Ø 10-17 mm	4 x Ex-e, 1 x PE	GHG 791 0101 R0001
	4 x M25 for cable Ø 10-17 mm incl. 2 x blanking plug M25	4 x Ex-e, 1 x PE	GHG 791 0101 R0002
	4 x M20 metal thread incl. 2 x threaded plug M20	4 x Ex-e, 1 x PE	GHG 791 0101 R0019
	4 x M25 for cable Ø 10-17 mm incl. 2 x blanking plug M25	4 x 4 Ex-e ¹⁾ , 2 x PE	GHG 791 0101 R0069
	4 x M20 metal thread incl. 2 x threaded plug M20	4 x 4 Ex-e ¹⁾ , 2 x PE	GHG 791 0101 R0068
GHG 791 02 up to 8 terminals			
	4 x M25 for cable Ø 10-17 mm incl. 2 x blanking plug M25	6 x Ex-e, 2 x PE	GHG 791 0201 R0006
	4 x M32 for cable Ø 12-21 mm incl. 2 x blanking plug M32	6 x Ex-e, 2 x PE	GHG 791 0201 R0007
	6 x M25 for cable Ø 10-17 mm incl. 4 x blanking plug M25	6 x Ex-e, 2 x PE	GHG 791 0201 R0001
	6 x M32 for cable Ø 12-21 mm incl. 4 x blanking plug M32	6 x Ex-e, 2 x PE	GHG 791 0201 R0002
	6 x M20 metal thread incl. 4 x threaded plug M20	8 x Ex-e, 1 x PE	GHG 791 0201 R0003

Other applications available on request.

¹⁾ Cage clamp terminal

Accessories

Mounting plate for junction box 791 01

Type	Application	Fixing method	Order No.
Size 1	Wall mounting	snap on	GHG 610 1953 R0101
Size 1	for trellis mounting	snap on	GHG 610 1953 R0103
Size 1	pipe clamp	snap on	GHG 610 1953 R0102
Protective canopy size 2	for mounting plate size 1		GHG 610 1955 R0101

Mounting plate for junction box 791 02

Type	Application	Fixing method	Order No.
Size 2	Wall mounting	snap on	GHG 610 1953 R0104
Size 2	for trellis mounting	snap on	GHG 610 1953 R0106
Size 2	pipe clamp	snap on	GHG 610 1953 R0105
Protective canopy size 2	for mounting plate size 2		GHG 610 1955 R0102

Details for accessories see page 2.2.80 up to 2.2.84.



GHG 791 0201 R0006



GHG 791 0101 R0068

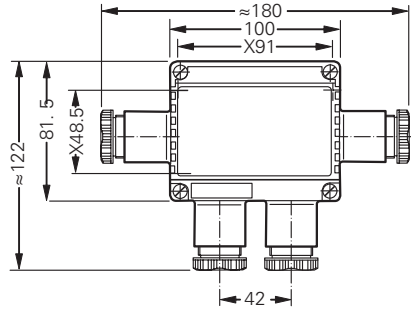


GHG 791 0101 R0019

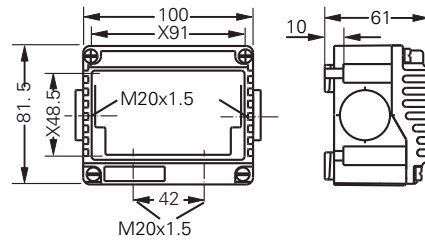
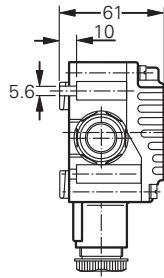


GHG 791 0101 R0001

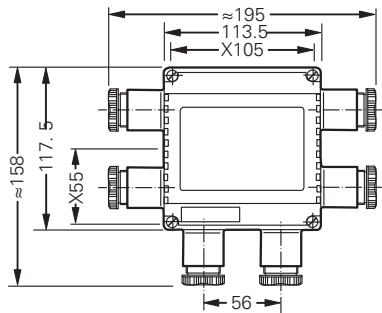
Dimension drawing



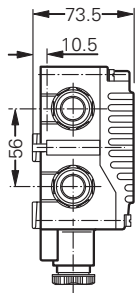
Type 791 01



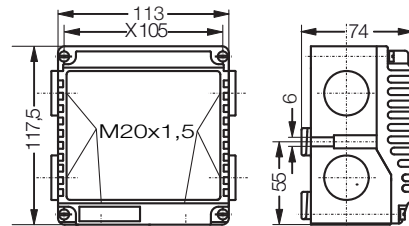
Type 791 01 for metal cable glands



Type 791 02



X = fixing dimensions



Type 791 02 for metal cable glands

UNIVERSAL TERMINAL BOXES

Ex-e/Ex-i Technology
plastic version measuring and controlling for Zone 1, 2, 21 and 22

2 The terminal boxes were designed for measuring and controlling utilization in Ex-e and Ex-i applications. They are used as a link between the main cable to the control room and the branch cables into the field. In addition to this, they may also be used for the direct connection of actuators and sensors.

The new terminal boxes for instrumentation installations are available in 5 sizes, ranging from 6 to max. 60 connection terminals. The optional interior coating protects your data cable connections against external radiation fields. The choice between screw and tension spring (screwless) terminals for single and multi-wire conductors makes it possible for engineers to select the type of connection most suitable for the particular application.

The CEAG installation system provides an economical way of mounting the terminal boxes on walls, trellis work and pipes. The terminal boxes are suited for the use of single or multiple cable glands. With CEAG terminal boxes it is possible to apply separate potentials such as screen-grid leads or PE/PA conductors to the plug-in PE rails. The snap-out terminal rails allow a problem-free feeding-in of cables.

The well-proven clip-in flanges in moulded plastic or metal design allow multiple application possibilities. As a result of the optimized design, a large drilling surface was created. This can be fitted with a sufficient number of moulded plastic glands or an equal number of metal glands.

International approvals

- Decisive cost saving
- with the CEAG installation system
- Safety standard IP66
- Freely accessible connection terminals
- Clip-in flange technique
- Snap-out terminal rails
- Internal coating for EMC-protection on request



To make it easier for you to be able to choose a terminal or junction box, you will find in table-form all the basic data that is required below. Using the table below you can choose and configure your terminal boxes.

The table "Max. number of terminals" is based on the mechanical conditions of the terminal enclosure such as length of mounting rail and height the terminals. It is based on common terminal types such as Phoenix® or Wago®. The permissible number of terminals in terms of the type examination certificate must be checked in each individual case based on

the current load tables in the operating instructions. Using the maximum drill surface and the interference diameter of the wire and cable entries tables plus the number of terminals you require, you can choose the right terminal box for your application.

The terminal boxes can also be equipped with (when requested) brass flanges and external earthing connectors.

Maximum number of terminals acc. to certification

Type	Terminal cross section in mm ²						
	2,5	4	6	10	16	25	35
GHG 791 01	6	6	-	-	-	-	-
GHG 791 02	12	10	7	-	-	-	-
GHG 731 11	16	14	10	8	8	-	-
GHG 731 12	24	24	18	18	14	-	-
GHG 721 00	26	22	17	13	11	-	-
GHG 721 10	48	40	30	24	20	-	-
GHG 744 01	40	33	25	20	17	17	-
GHG 745 02	2 x 41	2 x 34	2 x 26	2 x 20	17	17	14
GHG 746 03	2 x 94	2 x 78	2 x 59	2 x 47	40	40	32
GHG 749 04	2 x 148	2 x 124	2 x 94	2 x 75	63	63	51



Terminal rails

Type	Rail Length
GHG 791 01	40 mm
GHG 791 02	95 mm
GHG 731 11	107 mm
GHG 731 12	169 mm
GHG 721 00	140 mm
GHG 721 10	262 mm
GHG 744 01	230 mm
GHG 745 02	2 x 235 mm
GHG 746 03	2 x 510 mm
GHG 749 04	2 x 795 mm

Dimensions

Type	Width	x	Length	x	Height
GHG 791 01	100 mm	x	81 mm	x	61 mm
GHG 791 02	113 mm	x	117 mm	x	73 mm
GHG 731 11	120 mm	x	140 mm	x	95 mm
GHG 731 12	182 mm	x	140 mm	x	95 mm
GHG 721 00	165 mm	x	165 mm	x	131 mm
GHG 721 10	285 mm	x	165 mm	x	143 mm
GHG 744 01	271 mm	x	134 mm	x	136 mm
GHG 745 02	271 mm	x	271 mm	x	136 mm
GHG 746 03	544 mm	x	271 mm	x	136 mm
GHG 749 04	817 mm	x	271 mm	x	136 mm

Space required for wire and cable entries

Type	Interference	
	Plastic	Metal
M12	Ø 19 mm	Ø 21 mm
M16	Ø 25 mm	Ø 21 mm
M20	Ø 31 mm	Ø 26,5 mm
M25	Ø 37 mm	Ø 33 mm
M32	Ø 46 mm	Ø 45,1 mm
M40	Ø 56 mm	Ø 53 mm
M50	Ø 68 mm	Ø 60,5 mm
M63	Ø 84 mm	Ø 80 mm

max. drill surface

Type	Width	x	Height
GHG 791 01	80 mm	x	45 mm
GHG 791 02	93 mm	x	57 mm
GHG 731 11	95 mm	x	75 mm
GHG 731 12	144 mm	x	75 mm
GHG 721 00	132 mm	x	91 mm
GHG 721 10	252 mm	x	95 mm
GHG 744 01	238 mm	x	134 mm
GHG 745 02	238 mm	x	134 mm
GHG 746 03 (2x)	238 mm	x	134 mm
GHG 749 04 (3x)	238 mm	x	134 mm
Flange 1	70,5 mm	x	48,5 mm
Flange 2	204 mm	x	72,5 mm

GHG 791 Ex-e/Ex-i terminal box



GHG 791 0101 R0003



GHG 791 0101 R0005



GHG 791 0201 R0011



GHG 791 0201 R0008

Technical data

GHG 791 01 up to 6 terminals | GHG 791 02 up to 12 terminals

Marking accd. to 2014/34/EU	⊕ II 2 G Ex e IIC T5/T6 Gb / ⊕ II 2 D Ex tb IIIC T80°C Db
EC-Type Examination Certificate	BVS 16 ATEX E 031
IECEX Certificate of Conformity	IECEX BVS 16.0024
Marking accd. to IECEx	Ex e IIC T5/T6 Gb Ex tb IIIC T80°C Db
Permissible ambient temperature	-20 °C to +40 °C / -55 °C to +55 °C (option)
Rated voltage	690 V
Protection class	I
Degree of protection accd. to EN 60529	IP66
Enclosure material	Polyamide
Enclosure colour	black

GHG 791 01 up to 6 terminals

Rated current	max. 32 A
Connecting terminals	up to 6 mm ²
Cable entry/enclosure drilling	max. 2 x M25 or 1 x M25 + 2 x M12
Dimensions (L x W x H)	81.5 x 100 x 61 mm
Weight	approx. 0.3 kg

GHG 791 02 up to 12 terminals

Rated current	max. 28 A
Connecting terminals	up to 6 mm ²
Cable entry/enclosure drilling	max. 2 x M25 or 1 x M32 + 1 x M25 or 1 x M25 + 4 x M12
Dimensions (L x W x H)	117.5 x 113.5 x 73.5 mm
Weight	approx. 0.5 kg



GHG 791 0201 R0008



GHG 791 0201 R0011



GHG 791 0101 R0005



GHG 791 0101 R0003

Ordering details

Content	Cable gland	No. of terminals	Order No.
Type 791 01 up to 6 terminals assembled with screw terminals 2 x 2.5 mm² + PE/PA-terminals 2 x 4 mm²			
Ex-e	1 x M25 cable gland 1 x M25 for 2 cable 1 x blanking plug for Ø 4.5-7 mm	6 x Ex-e 4 x PE/PA	GHG 791 0101 R0003
Ex-i	1 x M25 cable gland 1 x M25 for 2 cable 1 x blanking plug for Ø 4.5-7 mm	6 x Ex-i 4 x PE/PA	GHG 791 0101 R0004
Ex-e	1 x M25 cable gland 2 x M12 cable gland 1 x blanking plug for M12	6 x Ex-e 4 x PE/PA	GHG 791 0101 R0005
Ex-i	1 x M25 cable gland 2 x M12 cable gland 1 x blanking plug for M12	6 x Ex-i 4 x PE/PA	GHG 791 0101 R0006
Type 791 01 up to 6 terminals assembled with screwless terminals 2 x 2.5 mm² + PE/PA-terminals 2 x 4 mm²			
Ex-i	1 x M25 cable gland 1 x M25 for 2 cable 1 x blanking plug for Ø 4.5-7 mm	6 x Ex-i 1 x PE/PA	GHG 791 0101 R0008
Ex-e	1 x M25 cable gland 2 x M12 cable gland 1 x blanking plug for M12	6 x Ex-e 1 x PE/PA	GHG 791 0101 R0009
Ex-i	1 x M25 cable gland 1 x M12 cable gland 1 x blanking plug for M12	6 x Ex-i 1 x PE/PA	GHG 791 0101 R0010
Type 791 02 up to 12 terminals assembled with screw terminals 2 x 2.5 mm² + PE/PA-terminals 2 x 4 mm²			
Ex-e	1 x M25 cable gland 1 x M32 for 4 cable 2 x blanking plug for Ø 4.5-7 mm	12 x Ex-e 4 x PE/PA	GHG 791 0201 R0008
Ex-i	1 x M25 cable gland 1 x M32 for 4 cable 2 x blanking plug for Ø 4.5-7 mm	12 x Ex-i 4 x PE/PA	GHG 791 0201 R0009
Ex-e	1 x M25 cable gland 4 x M12 cable gland 2 x blanking plug for M12	12 x Ex-e 4 x PE/PA	GHG 791 0201 R0010
Ex-i	1 x M25 cable gland 4 x M12 cable gland 2 x blanking plug for M12	12 x Ex-i 4 x PE/PA	GHG 791 0201 R0011
Type 791 02 up to 12 terminals assembled with screwless terminals 2 x 2.5 mm² + PE/PA-terminals 2 x 4 mm²			
Ex-i	1 x M25 cable gland 1 x M32 for 4 cable 1 x blanking plug for Ø 4.5-7 mm	12 x Ex-i 4 x PE/PA	GHG 791 0201 R0013
Ex-e	1 x M25 cable gland 4 x M12 cable gland 2 x blanking plug for M12	12 x Ex-e 4 x PE/PA	GHG 791 0201 R0014
Ex-i	1 x M25 cable gland 4 x M12 cable gland 2 x blanking plug for M12	12 x Ex-i 4 x PE/PA	GHG 791 0201 R0015

Other applications available on request.

GHG 791 Ex-e/Ex-i terminal box



GHG 791 0101 R0003



GHG 791 0101 R0005



GHG 791 0201 R0011



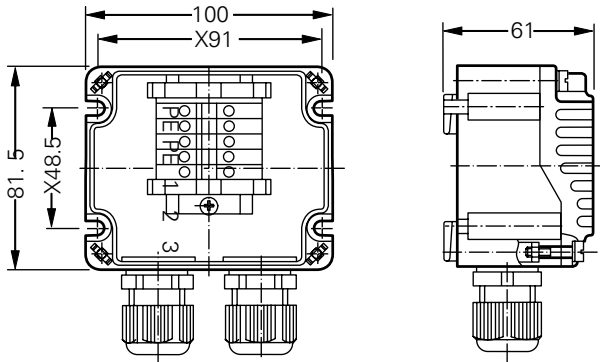
GHG 791 0201 R0008

Accessories

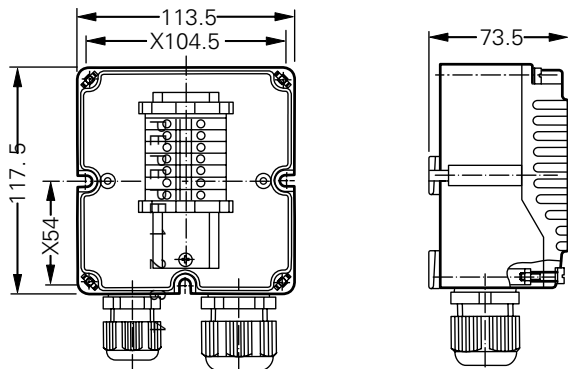
Type	Application	Fixing method	Order No.
Mounting plate for junction box 791 01			
Size 1	Wall mounting	snap on	GHG 610 1953 R0101
Size 1	Trellis mounting	snap on	GHG 610 1953 R0103
Size 1	Pipe clamp	snap on	GHG 610 1953 R0102
Protective canopy size 1	for mounting plate size 1		GHG 610 1955 R0101
Mounting plate for junction box 791 02			
Size 2	Wall mounting	snap on	GHG 610 1953 R0104
Size 2	Trellis mounting	snap on	GHG 610 1953 R0106
Size 2	Pipe clamp	snap on	GHG 610 1953 R0105
Protective canopy size 2	for mounting plate size 2		GHG 610 1955 R0102

Details for accessories see page 2.2.80 up to 2.2.84.

Dimension drawing



Type 791 01



Type 791 02

X = fixing dimensions



GHG 731 1202 R0976



GHG 731 1202 R0387



GHG 731 1102 R1088



GHG 731 1102 R0531

Technical data

GHG 731 11 up to 16 terminals | GHG 731 12 up to 24 terminals

Marking accd. to 2014/34/EU	Ⓜ II 2 G Ex e IIC T4/T5/T6 Gb / Ⓜ II 2 D Ex tb IIIC T80 °C/T95 °C Db IP6X
EC-Type Examination Certificate	BVS 13 ATEX E 037X
IECEX Certificate of Conformity	IECEX BVS 13.0045X
Marking accd. to IECEx	Ex e IIC T6/T5 Gb Ex tb IIIC T80 °C/T95 °C Db IP6X
Permissible ambient temperature	-20 °C to +40 °C -55 °C to +55 °C (option)
Rated voltage	690 V
Rated current	depends on terminal mounting
Protection class	I
Degree of protection accd. to EN 60529	IP66
Enclosure material	glass-fibre reinforced polyester
Enclosure colour	black

GHG 731 11 up to 16 terminals

Connecting terminals	up to 16 mm ²						
Dimensions (L x W x H)	140 x 120 x 95 mm						
Weight	approx. 0.8 kg						
Drillings/cable glands	M12	M16	M20	M25	M32	M40	M50
Max. number up/down	15	8	6	4	2	2	1
Terminal mounting space on the terminal rail	107 mm						
Max. number of terminals acc. to certification	2.5 mm ² 16	4 mm ² 14	6 mm ² 10	10 mm ² 8	16 mm ² 8		

GHG 731 12 up to 24 terminals

Connecting terminals	up to 16 mm ²						
Dimensions (L x W x H)	140 x 182.5 x 95 mm						
Weight	approx. 1.1 kg						
Drillings/cable glands	M12	M16	M20	M25	M32	M40	M50
Max. number up/down	24	17	10	6	3	3	2
Terminal mounting space on the terminal rail	169 mm						
Max. number of terminals acc. to certification	2.5 mm ² 28	4 mm ² 24	6 mm ² 18	10 mm ² 18	16 mm ² 14		

GHG731 Ex-e/Ex-i terminal box



GHG 731 1102 R0531



GHG 731 1102 R1485



GHG 731 1202 R0387



GHG 731 1202 R1345

Ordering details

Content	Cable gland	Terminals	Order No.
Type 731 11 up to 16 terminals assembled with screw terminals 2 x 2.5 mm² + PE/PA-rail 2.5 mm²			
Ex-e	without drilling	1 x Ex-e*/UT 2.5 N/7 x PE/PA	GHG 731 1102 R0531
Ex-e	without drilling	14 x Ex-e/UT 4 N/7 x PE/PA	GHG 731 1102 R1088
Ex-e	4 x M25	16 x Ex-e/UT 2.5 N/7 x PE/PA	GHG 731 1102 R1485
Type 731 12 up to 24 terminals assembled with screw terminals 2 x 2.5 mm² + PE/PA-rail 2.5 mm²			
Ex-e	without drilling	1 x Ex-e*/UT 2.5 N/14 x PE/PA	GHG 731 1202 R0387
Ex-e	without drilling	24 x Ex-e/UT 4 N/14 x PE/PA	GHG 731 1202 R0976
Ex-e	6 x M25	28 x Ex-e/UT 2.5 N/14 x PE/PA	GHG 731 1202 R1345

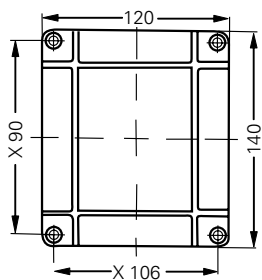
* according to type examination certificate individual extensible

Accessories

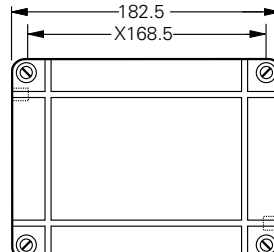
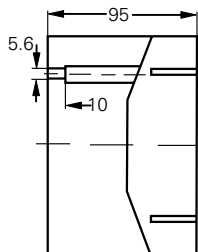
Type	Application	Fixing method	Order No.
Mounting plate for junction box 731 11			
Size 2	Wall mounting	snap on	GHG 610 1953 R0104
Size 2	Trellis mounting	snap on	GHG 610 1953 R0106
Size 2	Pipe clamp	snap on	GHG 610 1953 R0105
Protective canopy size 2	for mounting plate size 2		GHG 610 1955 R0102
Mounting plate for junction box 731 12			
Size 2A	Wall mounting	snap on	GHG 610 1953 R0107
Size 2A	Trellis mounting	snap on	GHG 610 1953 R0109
Size 2A	Pipe clamp	snap on	GHG 610 1953 R0108
Protective canopy size 2A	for mounting plate size 2A		GHG 610 1955 R0103

Details for accessories see page 2.2.80 up to 2.2.84.

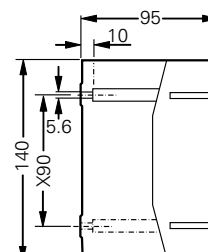
Dimension drawing



Type 731 11



Type 731 12



X = fixing dimensions



GHG 721 1001 R0013



GHG 721 1001 R0003



GHG 721 0001 R0005



GHG 721 0001 R0001

Technical data

GHG 721 00 up to 26 terminals | GHG 721 10 up to 48 terminals

Marking accd. to 2014/34/EU	Ⓜ II 2 G Ex e IIC T4/T5/T6 Gb / Ⓜ II 2 D Ex tb IIIC T80 °C/T95 °C Db IP6X
EC-Type Examination Certificate	BVS 13 ATEX 013X
IECEX Certificate of Conformity	IECEX BVS 13.0031X
Marking accd. to IECEx	Ex e IIC T4/T5 Gb Ex tb IIIC T80 °C/T95 °C/ Db IP6X
Permissible ambient temperature	-20 °C to +40 °C -55 °C to +55 °C (option)
Rated voltage	690 V
Rated current	depends on terminal mounting
Protection class	I
Degree of protection accd. to EN 60529	IP66
Enclosure material	glass-fibre reinforced polyester
Enclosure colour	black

GHG 721 00 up to 26 terminals

Connecting terminals	up to 16 mm ²							
Dimensions (L x W x H)	165 x 165 x 131.5 mm							
Weight	approx. 1.1 kg							
Drillings/cable glands	M12	M16	M20	M25	M32	M40	M50	M63
Max. number down	35	20	12	11	6	4	2	2
Max. number flange plastic	11	6	4	3	2	1	1	-
Max. number flange metal	-	-	3	2	1	-	-	-
Terminal mounting space on the terminal rail	140 mm							
Max. number of terminals acc. to certification	2.5 mm ² 26	4 mm ² 22	6 mm ² 17	10 mm ² 13	16 mm ² 11			

GHG 721 10 up to 48 terminals

Connecting terminals	up to 16 mm ²							
Dimensions (L x W x H)	165 x 285 x 150 mm							
Weight	approx. 1.7 kg							
Drillings/cable glands	M12	M16	M20	M25	M32	M40	M50	M63
Max. number down	75	42	32	21	11	8	4	3
Max. number flange plastic	46	25	20	11	8	4	3	2
Max. number flange metal	-	-	12	9	5	3	3	2
Terminal mounting space on the terminal rail	262 mm							
Max. number of terminals acc. to certification	2.5 mm ² 48	4 mm ² 40	6 mm ² 30	10 mm ² 24	16 mm ² 20			

GHG721 Ex-e/Ex-i terminal box



GHG 721 0001 R0001



GHG 721 0001 R0011



GHG 721 1001 R0003



GHG 721 1001 R0004

Ordering details

Content	Cable gland	No. of terminals	Order No.
Type 721 00 up to 26 terminals assembled with screw terminals 2 x 2.5 mm² + PE/PA-rail 2.5 mm²			
Ex-e	1 x M32 cable gland 3 x M32 for 4 cable	24 x Ex-e 12 x PE/PA	GHG 721 0001 R0005
Ex-i	1 x M32 cable gland 3 x M32 for 4 cable	24 x Ex-i 12 x PE/PA	GHG 721 0001 R0006
Ex-e	1 x M32 cable gland 12 x M20 cable gland	24 x Ex-e 12 x PE/PA	GHG 721 0001 R0007
Ex-i	1 x M32 cable gland 12 x M20 cable gland	24 x Ex-i 12 x PE/PA	GHG 721 0001 R0008
Type 721 00 up to 26 terminals assembled with screwless terminals 2 x 2.5 mm² + PE/PA-rail 2.5 mm²			
Ex-i	1 x M32 cable gland 3 x M32 for 4 cable	24 x Ex-i 12 x PE/PA	GHG 721 0001 R0010
Ex-e	1 x M32 cable gland 12 x M20 cable gland	24 x Ex-e 12 x PE/PA	GHG 721 0001 R0011
Ex-i	1 x M32 cable gland 12 x M20 cable gland	24 x Ex-i 12 x PE/PA	GHG 721 0001 R0012
Type 721 10 up to 48 terminals assembled with screw terminals 2 x 2.5 mm² + PE/PA-rail 2.5 mm²			
Ex-e	without drilling	1 x Ex-e ¹⁾ / 24 x PE	GHG 721 1001 R0003
Type 721 10 up to 48 terminals assembled with screw terminals 2 x 2.5 mm² + PE/PA-rail 2.5 mm²			
Ex-i	1 x M40 Ø 16-28 mm 6 x M32 for 4 cable	48 x Ex-i 24 x PE/PA	GHG 721 1001 R0013
Ex-e	1 x M40 Ø 16-28 mm 24 x M20 cable gland	48 x Ex-e 24 x PE/PA	GHG 721 1001 R0004
Ex-i	1 x M40 Ø 16-28 mm 24 x M20 cable gland	48 x Ex-i 24 x PE/PA	GHG 721 1001 R0015
Type 721 10 up to 48 terminals assembled with screwless terminals 2 x 2.5 mm² + PE/PA-rail 2.5 mm²			
Ex-i	1 x M40 Ø 16-28 mm 6 x M32 for 4 cable	48 x Ex-i 24 x PE/PA	GHG 721 1001 R0017
Ex-e	1 x M40 Ø 16-28 mm 24 x M20 cable gland	48 x Ex-e 24 x PE/PA	GHG 721 1001 R0018
Ex-i	1 x M40 Ø 16-28 mm 24 x M20 cable gland	48 x Ex-i 24 x PE/PA	GHG 721 1001 R0019

¹⁾ according to type examination certificate individual extensible
Other versions available on request



GHG 721 1001 R0004



GHG 721 1001 R0003



GHG 721 0001 R0011



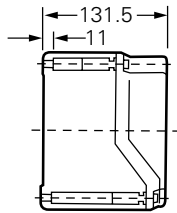
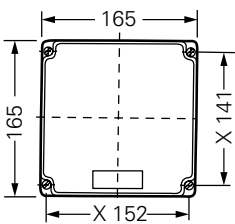
GHG 721 0001 R0001

Accessories

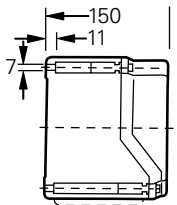
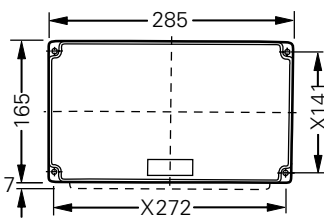
Type	Application	Fixing method	Order No.
Mounting plate for junction box 721 00			
Size 2A	Wall mounting	screwless mounting	GHG 610 1953 R0107
Size 2A	Trellis mounting	screwless mounting	GHG 610 1953 R0109
Size 2A	Pipe clamp	screwless mounting	GHG 610 1953 R0108
Protective canopy size 2A	for mounting plate size 2A		GHG 610 1955 R0103
Mounting plate for junction box 721 10			
Size 3	Wall mounting	screwless mounting	GHG 610 1953 R0107
Size 3	Trellis mounting	screwless mounting	GHG 610 1953 R0109
Size 3	Pipe clamp	screwless mounting	GHG 610 1953 R0108
Protective canopy size 3	for mounting plate size 3		GHG 610 1955 R0104

Details for accessories see page 2.2.80 up to 2.2.84.

Dimension drawing



Type 721 00



Type 721 10

X = fixing dimensions

GHG 744/ GHG745Ex-e/Ex-i terminal box



GHG 744 0101 R0005



Type 745 02



GHG 745 0201 R0012

Technical data

GHG 744 01 up to 40 terminals | GHG 745 02 up to 82 terminals

Marking accd. to 2014/34/EU	⊕ II 2 G Ex e IIC T4/T5/T6 Gb / Ex e ib [ia/ib] IIC T4/T5/T6 Gb / ⊕ II 2 D Ex tb IIIC T80 °C/T95 °C Db IP6X
EC-Type Examination Certificate	BVS 12 ATEX E 118X
IECEX Certificate of Conformity	IECEX BVS 12.0071X
Marking accd. to IECEx	Ex e IIC T4/T5/T6 Gb Ex tb IIIC T80 °C/T95 °C Db IP6X
Permissible ambient temperature	-20 °C to +40 °C -55 °C to +55 °C (option)
Rated voltage	690 V
Rated current	depends on terminal mounting
Protection class	I
Degree of protection accd. to EN 60529	IP66
Enclosure material	glass-fibre reinforced polyester
Enclosure colour	black

GHG 744 01 up to 31 terminals

Connecting terminals	up to 25 mm ²							
Dimensions (L x W x H)	271 x 134 x 136 mm							
Weight	approx. 1.5 kg							
Drillings/cable glands	M12	M16	M20	M25	M32	M40	M50	M63
Max. number down	60	36	26	18	10	7	4	3
Max. number flange plastic	46	25	20	11	8	4	3	2
Max. number flange metal	-	-	11	9	5	3	3	2
Terminal mounting space on the terminal rail	1 x 230 mm							
Max. number of terminals acc. to certification	2.5 mm ² 38	4 mm ² 31	6 mm ² 24	10 mm ² 20	16 mm ² 17	25 mm ² 15	35 mm ² 7	

GHG 745 02 up to 82 terminals

Connecting terminals	up to 70 mm ²									
Dimensions (L x W x H)	271 x 271 x 136 mm									
Weight	approx. 2.5 kg									
Drillings/cable glands	M12	M16	M20	M25	M32	M40	M50	M63		
Max. number down	60	36	26	18	10	7	4	3		
Max. number flange plastic	46	25	20	11	8	4	3	2		
Max. number flange metal	-	-	11	9	5	3	3	2		
Terminal mounting space on the terminal rail	2 x 230 mm									
Max. number of terminals acc. to certification	2.5 mm ² 38	4 mm ² 31	6 mm ² 24	10 mm ² 20	16 mm ² 17	25 mm ² 16	35 mm ² 15	50 mm ² 9	70 mm ² 9	



GHG 745 0201 R0012



Type 745 02



GHG 744 0101 R0005

Ordering details

Content	Cable gland	No. of terminals	Order No.
Type 744 01 up to 31 terminals assembled with screw terminals 2 x 4 mm² + PE-rail 4 mm²			
Ex-e	1 x plastic flange down without drilling	1 x Ex-e ¹⁾ 7 x PE	GHG 744 0101 R0005
Type 745 02 up to 82 terminals assembled with screw terminals 2 x 4 mm² + PE/PA-rail 4 mm²			
Ex-e	1 x plastic flange down without drilling	1 x Ex-e ¹⁾ 14 x PE	GHG 745 0201 R0004
Type 745 02 up to 82 terminals assembled with screw terminals 2 x 2.5 mm² + PE/PA-rail 4 mm²			
Ex-i	1 x M50 cable gland 8 x M32 for 4 cable	60 x Ex-i 27 x PE/PA	GHG 745 0201 R0012
Ex-e	1 x M50 cable gland 30 x M16 cable gland	60 x Ex-e 27 x PE/PA	GHG 745 0201 R0013
Ex-i	1 x M50 cable gland 30 x M16 cable gland	60 x Ex-i 27 x PE/PA	GHG 745 0201 R0014
Ex-e	1 x M50 cable gland 24 x M20 cable gland	60 x Ex-e 27 x PE/PA	GHG 745 0201 R0015
Ex-i	1 x M50 cable gland 24 x M20 cable gland	60 x Ex-i 27 x PE/PA	GHG 745 0201 R0021
Type 745 02 up to 82 terminals assembled with screwless terminals 2 x 2.5 mm² + PE/PA-rail 4 mm²			
Ex-i	1 x M50 cable gland 8 x M32 for 4 cable	60 x Ex-i 27 x PE/PA	GHG 745 0201 R0016
Ex-e	1 x M50 cable gland 30 x M16 cable gland	60 x Ex-e 27 x PE/PA	GHG 745 0201 R0017
Ex-i	1 x M50 cable gland 30 x M16 cable gland	60 x Ex-i 27 x PE/PA	GHG 745 0201 R0018
Ex-e	1 x M50 cable gland 24 x M20 cable gland	60 x Ex-e 27 x PE/PA	GHG 745 0201 R0020
Ex-i	1 x M50 cable gland 24 x M20 cable gland	60 x Ex-i 27 x PE/PA	GHG 745 0201 R0022

¹⁾ according to type examination certificate individual extensible
Other versions available on request

GHG 744/ GHG745 Ex-e/Ex-i terminal box



GHG 744 0101 R0005



Type 745 02



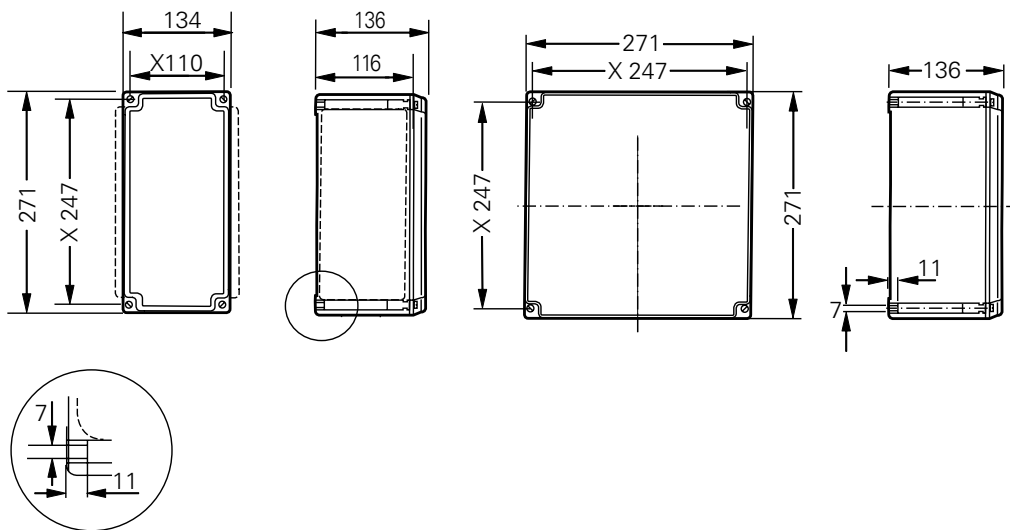
GHG 745 0201 R0012

Accessories

Type	Application	Fixing method	Order No.
Mounting plate for junction box 744 01			
Size 3	Wall mounting	screwless mounting	GHG 610 1953 R0118
Size 3	Trellis mounting	screwless mounting	GHG 610 1953 R0118
Size 3	Pipe clamp	screwless mounting	GHG 610 1953 R0110
Protective canopy size 3	for mounting plate size 3		GHG 610 1955 R0104

Details for accessories see page 2.2.80 up to 2.2.84.

Dimension drawing



Type 744 01

Type 745 02

X = fixing dimensions



Type 749 04



Type 746 03

Technical data

GHG 746 03 up to 188 terminals | GHG 749 04 up to 296 terminals

Marking accd. to 2014/34/EU	Ⓔ II 2 G Ex e IIC T4/T5/T6 Gb / Ex e ib [ia/ib] IIC T4/T5/T6 Gb / Ⓔ II 2 D Ex tb IIIC T80 °C/T95 °C Db IP6X
EC-Type Examination Certificate	BVS 12 ATEX E 118X
IECEX Certificate of Conformity	IECEX BVS 12.0071X
Marking accd. to IECEx	Ex e IIC T4/T5/T6 Gb Ex tb IIIC T80 °C/T95 °C Db IP6X
Permissible ambient temperature	-20 °C to +40 °C -55 °C to +55 °C (option)
Rated voltage	690 V
Rated current	depends on terminal mounting
Protection class	I
Degree of protection accd. to EN 60529	IP66
Enclosure material	glass-fibre reinforced polyester
Enclosure colour	black

GHG 746 03 up to 188 terminals

Connecting terminals	300 mm ²							
Dimensions (L x W x H)	544 x 271 x 136 mm							
Weight	approx. 4.2 kg							
Drillings/cable glands	M12	M16	M20	M25	M32	M40	M50	M63
Max. number down	120	72	52	36	20	14	8	6
Max. number flange plastic	46	25	20	11	8	4	3	2
Max. number flange metal	-	-	11	9	5	3	3	2
Terminal mounting space on the terminal rail	horiz. 2 x 510 mm / vert. 4 x 230 mm							
Max. number of terminals acc. to certification	2.5 mm ² 2 x 94	4 mm ² 2 x 78	6 mm ² 2 x 59	10 mm ² 2 x 47	16 mm ² 40	25 mm ² 40	35 mm ² 32	

GHG 749 04 up to 296 terminals

Connecting terminals	up to 240 mm ²							
Dimensions (L x W x H)	817 x 271 x 136 mm							
Weight	approx. 5.8 kg							
Drillings/cable glands	M12	M16	M20	M25	M32	M40	M50	M63
Max. number down	180	108	78	54	30	21	12	9
Max. number flange plastic	46	25	20	11	8	4	3	2
Max. number flange metal	-	-	11	9	5	3	3	2
Terminal mounting space on the terminal rail	horiz. 2 x 795 mm / vert. 6 x 230 mm							
Max. number of terminals acc. to certification	2.5 mm ² 2 x 148	4 mm ² 2 x 124	6 mm ² 2 x 94	10 mm ² 2 x 75	16 mm ² 63	25 mm ² 63	35 mm ² 51	

GHG 746/ GHG749 Ex-e/Ex-i terminal box



Type 746 03



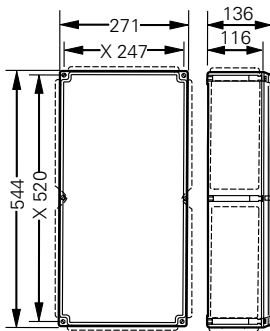
Type 749 04

Ordering details

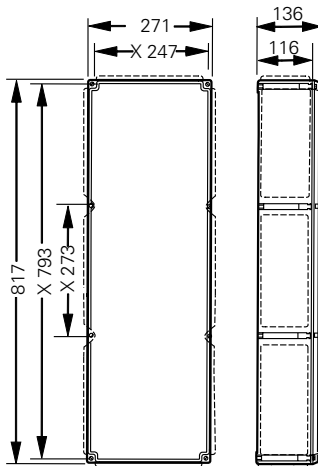
Content	Cable gland	No. of terminals	Order No.
Type 746 03 up to 188 terminals assembled with screw terminals 2 x 4 mm² + PE-rail 4 mm²			
Ex-e	2 x palstic flange down without drilling	1 x Ex-e ¹⁾ 2 x 14 x PE	GHG 746 0301 R0002
Type 749 04 up to 296 terminals assembled with screw terminals 2 x 2.5 mm² + PE-rail 4 mm²			
Ex-e	3 x palstic flange down without drilling	1 x Ex-e ¹⁾ 3 x 14 x PE	GHG 749 0401 R0001

¹⁾ according to type examination certificate individual extensible
Other versions available on request

Dimension drawing



Type 746 03



Type 749 04

X = fixing dimensions