

# GUB junction boxes for IEC applications

Ex d IIC T4-T6, Ex ia for Zones 1, 2, 21, 22  
IECE<sub>x</sub>/ATEX  
NEMA 4; IP67

GOST-R  
GOST-K

1E

## Applications:

GUB IEC ATEX junction boxes are used in threaded rigid conduit systems in hazardous areas:

- To function as a splice box, pull box or equipment and device enclosure
- Indoors and outdoors

## Features:

- Threaded construction throughout permits use in hazardous areas
- Bodies have thick walls so they can be factory drilled and tapped to meet IEC requirements for Zones 1, 2, 21 and 22 hazardous areas
- Covers are provided with a neoprene o-ring gasket to meet NEMA 4/IP66 requirements for a watertight seal
- Internal grounding lug provides a means to ground enclosed equipment
- Ambient temperature range: -20°C to +55°C
- Rated voltage: 690V
- Rated maximum current: 250A/in bus bars 150A to 10 kA

## Certifications and compliances:

### ATEX certificate – LOM 03ATEX3107U (empty enclosures):

- Ⓜ II 2GD Ex d IIC
- Ⓜ Ex tD A21 IP67
- EN60079-0:2006
- EN60079-1:2007
- EN60079-11:2007

### ATEX certificate – LOM 04ATEX2018 (custom control panels):

- Ⓜ II 2 GD EEx d IIC T4...T6 IP67 T(\*) °C  
Ta: -20°C / +55°C
- EN60079-0:2006
- EN60079-1:2007
- EN60079-11:2007

### Metallic enclosures<sup>Ⓐ</sup>:

#### Marking to 94/9/CE

- Ⓜ II 2 G - EEx d IIC T6 - T4<sup>Ⓑ</sup>
- Ⓜ II 2 D - IP67 T<sup>Ⓒ</sup>

### EC - type examination certificate

- LOM 03ATEX3107U

### Degree of protection

- Acc. EN60529

### Material

- Light alloy, gray coating

<sup>Ⓐ</sup> These enclosures can provide, according to LOM 04 ATEX 2018 certification with the following electrical apparatus: bus bars, terminals, low voltage transformers, air circuit breakers, automatic circuit breakers, control and operations circuits, servomotors without ventilation, starters and ballasts for discharge lamps, electronic apparatus, associated SI apparatus, etc., according to customer needs.

<sup>Ⓑ</sup> According to the mounted equipment.

<sup>Ⓒ</sup> Available upon request.

## Standard material:

- Bodies and covers – aluminum

## Standard finish:

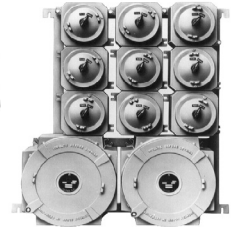
- Epoxy powder coat standard, internal and external

## Options:

- Description** **Suffix**
- Factory installed mounting plate for relays, terminal blocks, electrical devices, etc. .... **Contact factory**
  - Factory installed pushbuttons, signal lamps, switchgear, glass windows ..... **Contact factory**
  - Factory installed terminal blocks..... **Contact factory**



GUB 00

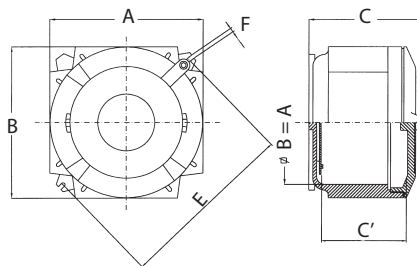


Custom control panel

## Ordering information:

Type	Dissipated power			Maximum rated current	Cat. #	Weight (kg.)	Quantity
	T6	T5	T4				
GUB 00	60	85	150	60	NOR 000 001 160 116	3.20	1
GUB 20	100	145	255	150	NOR 000 001 160 124	6.20	1
GUB 30	140	200	360	250	NOR 000 001 160 132	10.20	1

## Dimensions (in millimeters):



Type	External		Internal			Mounting		
	A	B	C	A'	B'	C'	E	F
GUB 00	170	170	135	125	125	74	210	9
GUB 20	215	215	195	175	175	139	250	11

## Maximum entries per face:

Type	1/2"	3/4"	1"	1 1/4"	1 1/2"	2"	2 1/2"
GUB 00	4	3	2	2	2	–	–
GUB 20	6	5	3	2	2	1	1
GUB 30	10	8	5	3	3	2	2

## Applications:

GUBA junction boxes are used in threaded rigid conduit and cable systems in hazardous areas:

- To function as a splice box, pull box or equipment device enclosure
- Indoors and outdoors

## Features:

- Threaded construction throughout permits use in hazardous areas
- Wide variety of conduit entry arrangements
- Covers are sealed with o-ring gasket

## Certifications and compliances:

### Type of protection:

- Exd

### Degree of protection:

- IP66

### Gas group:

- IIC

### Approvals:

- ANZEx05.3043X

## Standard material:

- Bodies and covers – cast copper-free aluminum

## Standard finish:

- Natural

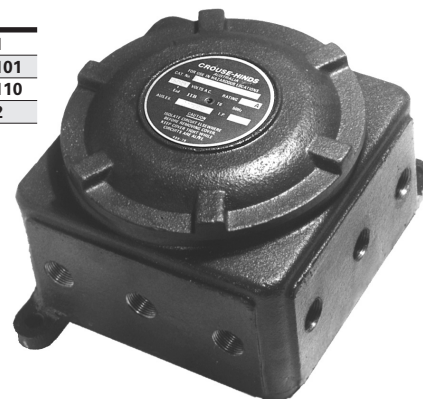
## Options:

- Cast iron bodies and covers
- Gray polyurethane finish
- Metric, imperial, NPT or BSP threads
- Glass window
- Dome covers

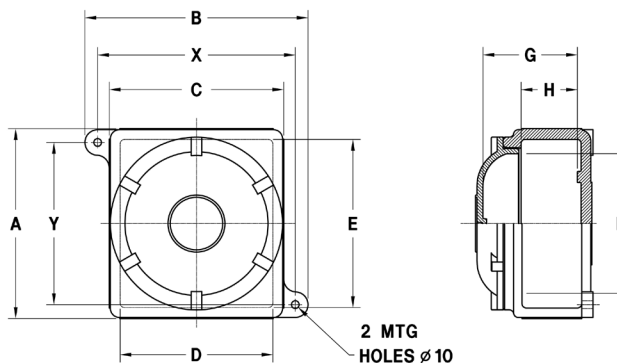
## Ordering information:

Type and description	Cat. #
Empty enclosure (195 x 2175 x 107mm)	GUBA01
Flat cover for GUBA01	GUBA0101
Glass window for GUBA01 (gas group IIB only)	GUBA0110
Empty enclosure (253 x 283 x 135mm)	GUBA02

**Note:** Entries must be factory drilled, price adder applicable.



## Dimensions (in millimeters):



Cat. #	Internal			External				
	A	B	C	D	E	F	G	H
GUBA01	195	220	175	146	146	130	107	76
GUAB02	253	298	233	204	224	185	135	76

Cat. #	Mounting		No. of mounting feet	Weight (kg.)
	X	Y		
GUBA01	195	145	2	4.2
GUAB02	264	216	2	8.1

## Maximum number of entries:

Metric	20mm	25mm	32mm	40mm	50mm
Imp. conduit	3/4"	1"	1 1/4"	1 1/2"	2"
NPT & BSP	1/2"	3/4"	1"	1 1/4"	1 1/2"

Cat. #	Top & bottom				
GUBA01	6	5	3	2	1
GUBA02	10	8	4	3	2
Sides					
GUBA01	6	5	–	–	–
GUBA02	8	7	4	3	2
Back					
GUBA01	3	3	–	–	–
GUBA02	4	4	–	–	–