

GUB instrument housings

Cl. I, Div. 1 & 2, Group D
 Cl. II, Div. 1, Groups E, F, G
 Cl. II, Div. 2, Groups F, G
 Cl. III
 NEMA 3, 7D, 9EFG, 12
 Ex d IIC, ATEX certified

Explosionproof
 Dust-ignitionproof
 Raintight
 Wet locations
 Watertight

1E

Applications:

GUB instrument housings are used:

- To enclose ammeters, voltmeters, wattmeters, varimeters, power factor meters, tachometer indicators, pressure controls, temperature control, etc. in a threaded rigid metallic conduit system
- In specific hazardous atmospheres such as encountered in oil refineries, chemical plants, paint and varnish manufacturing plants, certain hazardous metal finishing areas, coal processing locations, granaries and grain processing plants

Features:

- Threaded covers have glass windows for viewing scale, dial or setting of enclosed instrument
- Mounting plates, brackets or pillars for mounting a wide variety of instruments not shown on the next page are available on special order. Instrument to be used must be specified by make, complete identification data and dimensions.

Certifications and compliances:

NEC/CEC:

- Class I, Divisions 1 & 2, Group D
- Class II, Division 1, Groups E, F, G
- Class II, Division 2, Groups F, G
- Class III

UL standard:

- UL1203

CSA standard:

- C22.2 No. 30

IEC standards:

- EN60079-0, EN60079-1
- Ex II 2 G Ex d IIC Gb
- PTB 01 ATEX 1019 U

Environmental ratings:

- NEMA/EEMAC 3, 7D, 9EFG, 12

Standard materials:

- Body – Feraloy iron alloy
- Cover – copper-free aluminum
- Window – heat strengthened plate glass

Standard finishes:

- Feraloy iron alloy – electrogalvanized and aluminum acrylic paint
- Copper-free aluminum – natural



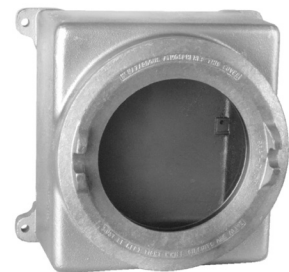
GUB01 shown with GUB0110 glass cover



GUB04 shown with GUB0109 glass cover

Options:

- | | |
|---|------------------------|
| Description | Suffix |
| • For 3/4" hub top and bottom..... | 22 |
| • ATEX component certification..... | ATEX |
| • Other conduit opening sizes and arrangements can be furnished.... | Contact factory |



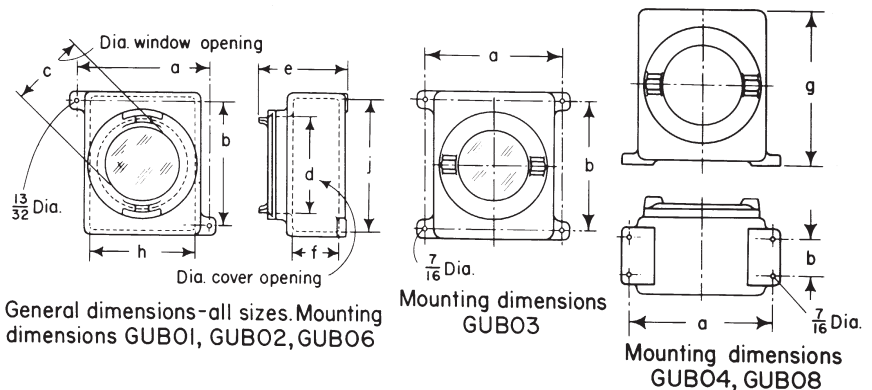
GUB03 shown with GUB0109 glass cover

Ordering information:

Empty housing

Basic housing	Conduit opening		Cat. #
	Size	Position	
GUB01	3/4"	Top	GUB110 1 20
		Bottom	GUB110 1 02
GUB02	3/4"	Top	GUB218 1 20
		Bottom	GUB218 1 02
GUB06	3/4"	Top	GUB619 1 20
		Bottom	GUB619 1 02
GUB03	3/4"	Top	GUB319 1 20
		Bottom	GUB319 1 02

Dimensionsø (in inches):



GUB	a	b	c	d	e	f	g	h	j
1	7 1/2	5 3/4	3 5/8	5 1/2	5 3/4	3		5 7/8	6 1/2
2	9	8 3/4	4 3/4	7	6	3		7 1/8	9 1/8
3	12 1/8	10 3/4	6 13/16	9 5/8	8 5/16	5		9 3/4	10 3/4
4	12 1/8	3 1/2	6 15/16	9 5/8	8 13/16	5	12 1/4	9 3/4	10 3/4
6	9 1/2	8 3/4	4 3/4	7	7	4		7 5/8	9 1/8
8	9 5/8	2 1/2	4 3/4	7	6 15/16	4	10 1/4	7 5/8	9 1/8

^ADimensions are approximate, not for construction purposes.

Ordering information (continued):

Housing with mounting plate for standard meters

Instrument size (in.)	Basic housing	Cat. #
3½	GUB01	GUB1103 1 20 [ⓑ]
		GUB11031 1 20
		GUB6191 1 20
4	GUB06	GUB6192 1 20
		GUB6193 1 20
		GUB2184 1 20 [ⓑ]
6	GUB03	GUB3190 1 20 [ⓑ]
		GUB3191 1 20

Note: These standard instrument housings are furnished with one top feed ¼" drilled and tapped opening.

Meters are not included.

Housing for meters[ⓐ]

Manufacturer	Model	Instrument size (in.)	Flange type	Cat. #	Maximum instrument depth [ⓓ]
General Electric	Type 250	3½	Rectangular flush	GUB1103 1 20 [ⓑ]	
Westinghouse	R-351 series	3½	Rectangular flush		
Weston	N-351 series	3½	Round flush		
	301 series	3½	Rectangular flush		
	301 series	3½	Round flush		
	723	3½	Rectangular flush		
General Electric	KT-11	3½	Round flush or rectangular flush	GUB11031 1 20	
	Elapsed Time meter Without reset				
	236	3½	Round flush or rectangular flush		
	Elapsed Time meter Without reset				
Westinghouse	BH351	3½	Rectangular flush		
	Elapsed Time meter				
	Without reset				
General Electric	Type 250	4½	Rectangular flush	GUB2184 1 20 [ⓑ]	
Westinghouse	R-371 series	4½	Rectangular flush		
	N-371 series	4½	Round flush		
Weston	1900 series	4½	Rectangular flush		
Westinghouse	KX-251	6	Rectangular	GUB3190 1 20 [ⓑ]	
	KA-251	6	Rectangular		
	KY-25	6	Rectangular		
Weston	271	7	Fan	GUB3191 1 20	
	273	9	Fan		
General Electric	AB-14 series	4	Rectangular flush		
	DB-14 series	4	Rectangular flush		
	AB-18 series	4	Rectangular flush		
	DB-18 series	4	Rectangular flush	GUB6191 1 20	4 ⁹ / ₁₆
	AB-30 series	4	Rectangular flush	GUB6192 1 20	6 ¹ / ₁₆
	DB-30 series	4	Rectangular flush	GUB6193 1 20	7 ¹¹ / ₁₆
	AB-40 series	4	Rectangular flush		
	DB-40 series	4	Rectangular flush		
Westinghouse	K-241 series	4½	Rectangular flush		

[ⓑ] These boxes are available for use in Class I, Divisions 1 & 2, Groups B, C hazardous areas. Add GB suffix to catalog number. Seals must be installed within 1½" of each conduit opening for Group B and C usage.

[ⓐ] Standard meters are to be purchased separately from manufacturers listed.

[ⓓ] Select housing based on depth of instrument to be enclosed.