

# GUE and GUB junction boxes

Cl. I, Div. 1 & 2, Groups B, C, D  
 Cl. II, Div. 1, Groups E, F, G  
 Cl. II, Div. 2, Groups F, G  
 Cl. III  
 NEMA 4<sup>A</sup>, 7BCD, 9EFG  
 Ex d IIC T6, IP66<sup>B</sup>  
 Ex d IIC, IP66, ATEX certified

Explosionproof  
 Dust-ignitionproof  
 Raintight  
 Wet locations  
 Watertight

1E

## Applications:

GUE and GUB junction boxes are used in threaded rigid conduit systems in hazardous areas:

- To function as a splice box, pull box or equipment and device enclosure
- To house wiring
- Indoors and outdoors

## Features:

- Threaded construction throughout permits use in hazardous areas
- Bodies have thick walls so they can be factory or field drilled and tapped to meet NEC/CEC requirements for Class I hazardous areas
- Covers are provided with a neoprene o-ring gasket to meet NEMA/EEMAC 4 requirements for a watertight seal<sup>C</sup>
- Internal grounding lug provides a means to ground enclosed equipment
- Boxes are machined for field installed mounting plates
- GUB boxes are ATEX certified when ordered with suffix 'SA ATEX' (not available with GU and GUE)

## Certifications and compliances:

### NEC/CEC:

- Class I, Divisions 1 & 2, Groups B, C, D
- Class II, Division 1, Groups E, F, G
- Class II, Division 2, Groups F, G
- Class III

### UL standard:

- UL1203

### CSA standard:

- C22.2 No. 30

### ATEX:

- Ex d IIC, IP66<sup>B</sup> ATEX Certificate: PTB 01 ATEX 1019 U
- Ex d IIC, IP66, ATEX certified

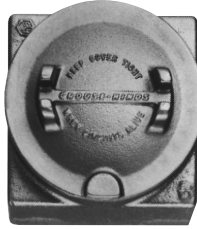
## Standard materials:

- Bodies – Feralloy iron alloy
- Covers – copper-free aluminum

## Standard finishes:

- Feralloy iron alloy – GU, GUE, GUB01 and GUB02 – electrogalvanized and aluminum acrylic paint; all other boxes – zinc chromate primer and aluminum acrylic paint
- Copper-free aluminum – natural

## Junction boxes without hubs<sup>D</sup>



**GU**  
 4<sup>15</sup>/<sub>16</sub>" x 4<sup>15</sup>/<sub>16</sub>" x 4<sup>1</sup>/<sub>8</sub>"  
 3<sup>5</sup>/<sub>8</sub>" cover opening

**GUE**  
 5<sup>5</sup>/<sub>16</sub>" x 5<sup>5</sup>/<sub>16</sub>" x 5<sup>3</sup>/<sub>8</sub>"  
 3<sup>3</sup>/<sub>8</sub>" cover opening



**GUB01**  
 6<sup>1</sup>/<sub>2</sub>" x 7" x 5<sup>3</sup>/<sub>8</sub>"  
 5<sup>7</sup>/<sub>8</sub>" cover opening

**GUB02**  
 8" x 10" x 5<sup>7</sup>/<sub>8</sub>"  
 7" cover opening

**GUB06**  
 8<sup>1</sup>/<sub>2</sub>" x 10" x 6<sup>7</sup>/<sub>8</sub>"  
 7" cover opening



**GUB03**  
 11" x 12" x 8<sup>1</sup>/<sub>2</sub>"  
 9<sup>5</sup>/<sub>8</sub>" cover opening

**GUB01110<sup>A</sup>**  
 14" x 18" x 13<sup>1</sup>/<sub>2</sub>"  
 12<sup>1</sup>/<sub>4</sub>" cover opening

**GUB15151**  
 19" x 21" x 16<sup>5</sup>/<sub>8</sub>"  
 16<sup>3</sup>/<sub>4</sub>" cover opening



**GUB04**  
 11" x 12" x 8<sup>1</sup>/<sub>2</sub>"  
 9<sup>5</sup>/<sub>8</sub>" cover opening

**GUB08**  
 8<sup>1</sup>/<sub>2</sub>" x 10" x 6<sup>13</sup>/<sub>16</sub>"  
 7" cover opening

## Ordering information:

Junction boxes listed can be furnished with drilled and tapped conduit openings, subject to the limitations of maximum opening, number and spacing shown in Tables 1, 2 and 4.

## To order:

### Step 1

Select the box required from photos at left and dimensional drawings on next page.

### Step 2

Select standard conduit arrangement from Table 1.

### Step 3

Determine maximum size conduit opening required from Table 2 (consider conduit opening spacing from Table 4).

### Step 4

Select appropriate symbol for required drilled and tapped holes from Table 3.

### Example:

Step 1 – box required: GUB06

Step 2 – arrangement: 108

Step 3 – openings – 1<sup>1</sup>/<sub>2</sub>" at 'a' and 'c'; 1" at 'b' and 'd'.

Step 4 – symbols are substituted and written in **clockwise order starting with location 'a'**.

### For this example:

FCFC complete catalog number is made up of three parts: Part 1 – box number; Part 2 – arrangement number; Part 3 – symbols for conduit openings. For this example: GUB06-108-FCFC. When no opening is required at a particular location, use symbol '0' (zero).

If none of the standard arrangements meet requirements, send a sketch showing junction box number with size and location of each opening desired.

## Options:

- | Description   | Suffix                     |
|---|----------------------------|
| • Copper-free aluminum bodies and covers .....  | <b>SA</b>                  |
| <i>GUB01, GUB02, GUB03 and GUB06 only</i>   |                            |
| • ATEX certified .....  | <b>SA ATEX<sup>E</sup></b> |
| <i>GUB01 SA, GUB02 SA, GUB03 SA and GUB06 SA only</i>   |                            |
| • Factory installed mounting plate for relays, terminal blocks, electrical devices, etc. .... | <b>MP</b>                  |
| • Factory installed terminal blocks.....  | <b>Contact factory</b>     |

<sup>A</sup>NEMA 4 not available on GUB01110 and GUB15151.

<sup>B</sup>Order suffix 'SA ATEX'. GUB01110 and GUB15151 are rated IP54.

<sup>C</sup>GUB01110 listed for Class I, Division 1, Groups C, D only in Canada (CSA).

<sup>D</sup>Dimensions provided are external.

<sup>E</sup>Please consult Modified Products for conduit entry arrangement options.

For conduit liner ordering information, see Section 6E.

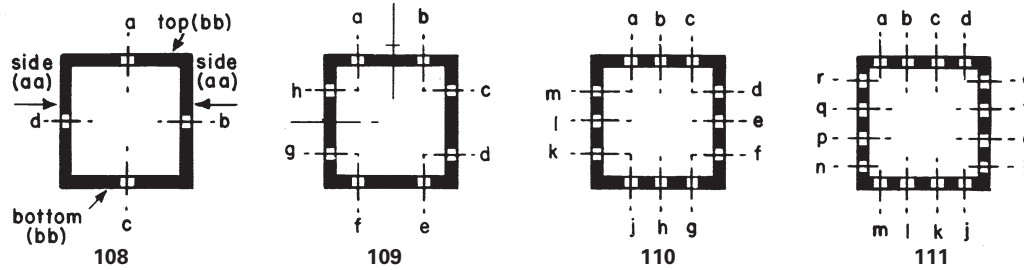
# GUE and GUB junction boxes

Ordering information

## Ordering information reference tables:

**Table 1**

Arrangements of drilled and tapped conduit openings – for other arrangements, send sketch and complete description



Conduit opening arrangements shown in the illustration should meet the majority of requirements. These GUB junction boxes will be supplied with drilled and tapped openings up to the maximum size and number shown in Table 2.

**Table 2**

Maximum size and number of drilled and tapped holes

Cat. #	Top and bottom (bb)Ⓔ				Each side (aa)Ⓔ				BackⒺ			
	1	2	3	4	1	2	3	4	1	2	3	4
<b>Group DⒺ</b>												
GU	1	1	–	–	1	1	–	–	2	1	3/4	3/4
GUE	2	1	–	–	2	1	–	–	2	1	3/4	3/4
GUB01	2	1 1/2	3/4	–	2	1 1/2	1	1/2	1	3/4	3/4	3/4
GUB02	2	2	1	3/4	2	2	1 1/2	1	3/4	3/4	3/4	3/4
GUB06	2	2	1	3/4	2	2	1 1/2	1	2	2	2	2
GUB08	2	2	1	3/4	2	2	1 1/2	1	2	2	2	2
GUB03	2	2	1 1/2	1	2	2	2	1 1/4	4	4	3 1/2	3
GUB04	2	2	1 1/2	1	2	2	2	1 1/4	4	4	3 1/2	3
GUB01110	2	2	2	1 1/2	2	2	2	2	6	6	4	3 1/2
GUB15151	5	4	3 1/2	2 1/2	5	4	4	3	6	6	6	6
<b>Group CⒺ</b>												
GU	1	1	–	–	1	1	–	–	2	1	3/4	3/4
GUE	2	1	–	–	2	1	–	–	2	1	3/4	3/4
GUB01	2	1 1/4	1/2	–	2	1 1/4	1/2	–	3/4	3/4	3/4	3/4
GUB02	2	1 1/2	3/4	–	2	2	1 1/4	1/2	3/4	3/4	3/4	3/4
GUB06	2	1 1/2	3/4	–	2	2	1 1/4	1/2	2	2	2	1 1/2
GUB08	2	1 1/2	3/4	–	2	2	1 1/4	1/2	2	2	2	1 1/2
GUB03	2	2	1 1/4	3/4	2	2	1 1/2	1	4	3 1/2	2 1/2	2 1/2
GUB04	2	2	1 1/4	3/4	2	2	1 1/2	1	4	3 1/2	2 1/2	2 1/2
GUB01110	2	2	2	1 1/4	2	2	2	2	6	6	4	3 1/2
GUB15151	5	4	3	2	5	4	3 1/2	2 1/2	6	6	6	5
<b>Group BⒺ</b>												
GU	1	1	–	–	1	1	–	–	2	1	3/4	3/4
GUE	2	1	–	–	2	1	–	–	2	1	3/4	3/4
GUB01	2	1 1/4	1/2	–	2	1 1/4	1/2	–	3/4	3/4	3/4	3/4
GUB02	2	1 1/2	3/4	–	2	2	1 1/4	1/2	3/4	3/4	3/4	3/4
GUB06	2	1 1/2	3/4	–	2	2	1 1/4	1/2	2	2	2	1 1/2
GUB08	2	1 1/2	3/4	–	2	2	1 1/4	1/2	2	2	2	1 1/2
GUB03	2	2	1 1/4	3/4	2	2	1 1/2	1	4	3 1/2	2 1/2	2 1/2
GUB04	2	2	1 1/4	3/4	2	2	1 1/2	1	4	3 1/2	2 1/2	2 1/2
GUB01110	2	2	2	1 1/4	2	2	2	2	4	4	4	4
GUB15151	4	4	3 1/2	2 1/2	4	4	3 1/2	2 1/2	4	4	4	4

**Table 3**

Drilled and tapped holes

Size	Symbol	Size	Symbol
1/2	A	2 1/2	H
3/4	B	3	J
1	C	3 1/2	K
1 1/4	E	4	L
1 1/2	F	none	0
2	G		

Ⓔ Side wall and top and bottom sizes are based on all openings being in line.

Ⓕ Back wall sizes are based on: two per side – diagonal corners; four per side – one in each corner; three per side – triangular pattern with two on adjacent corners on long wall and third in center of opposite long wall.

Ⓖ Group D chart is based on use of staggered unions. If adjacent unions are desired, additional spacing may be necessary.

Ⓗ Conduit seals are required within 1 1/2" of all conduit entrances for Class I, Group C hazardous locations.

Ⓙ Conduit seals are required within 1 1/2" of all conduit entrances for Class I, Group B hazardous locations.

For conduit liner ordering information, see Section 6E.

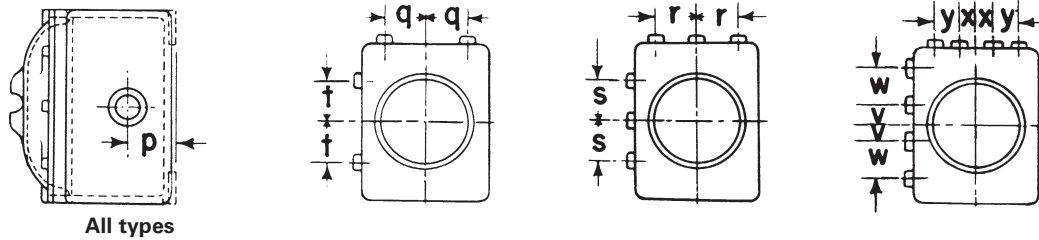
For ATEX, please consult Modified Products for conduit entry arrangement options.

1E

# GUE and GUB junction boxes

## Dimensions

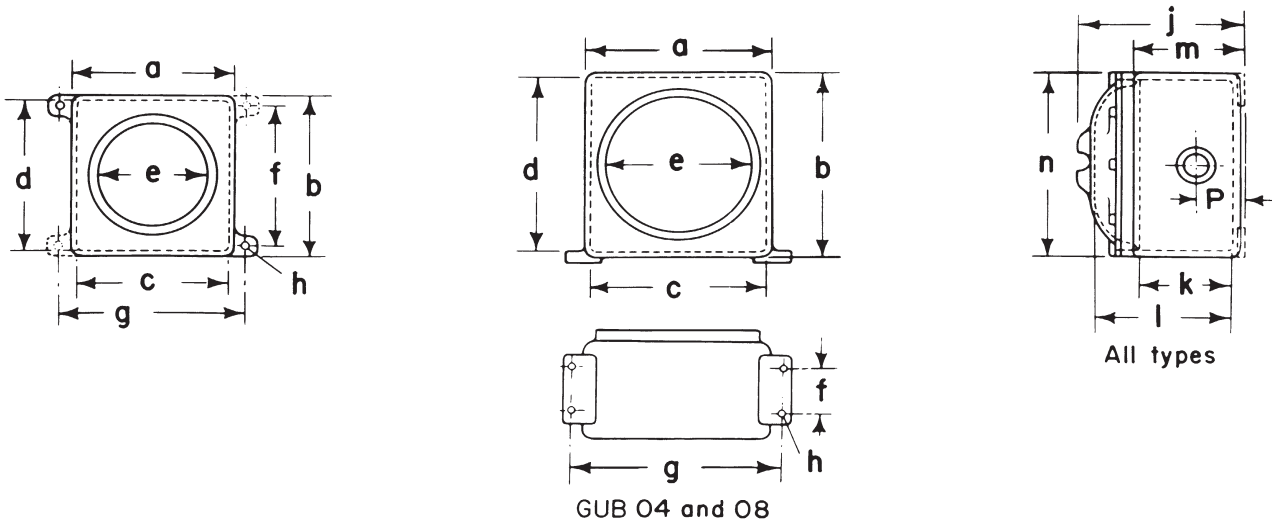
**Table 4**  
Conduit spacings



2, 3 or 4 entrances for conduit opening spacings on top, bottom or sides, all types.

Cat. #	p	q	r	s	t	v	w	x	y
GU	1 <sup>3</sup> / <sub>8</sub>	1	—	—	1	—	—	—	—
GUE	1 <sup>1</sup> / <sub>8</sub>	1 <sup>1</sup> / <sub>8</sub>	1 <sup>1</sup> / <sub>8</sub>	—	1 <sup>1</sup> / <sub>8</sub>	—	—	—	—
GUB01	2 <sup>1</sup> / <sub>16</sub>	1 <sup>5</sup> / <sub>8</sub>	2 <sup>1</sup> / <sub>8</sub>	2 <sup>1</sup> / <sub>8</sub>	1 <sup>5</sup> / <sub>8</sub>	7 <sup>7</sup> / <sub>8</sub>	1 <sup>3</sup> / <sub>4</sub>	2 <sup>5</sup> / <sub>32</sub>	1 <sup>9</sup> / <sub>16</sub>
GUB02	2 <sup>1</sup> / <sub>16</sub>	1 <sup>21</sup> / <sub>32</sub>	2 <sup>1</sup> / <sub>16</sub>	2 <sup>2</sup> / <sub>16</sub>	1 <sup>21</sup> / <sub>32</sub>	1 <sup>1</sup> / <sub>32</sub>	2 <sup>1</sup> / <sub>16</sub>	7 <sup>7</sup> / <sub>8</sub>	1 <sup>3</sup> / <sub>4</sub>
GUB06	2 <sup>1</sup> / <sub>16</sub>	1 <sup>21</sup> / <sub>32</sub>	2 <sup>2</sup> / <sub>16</sub>	2 <sup>2</sup> / <sub>16</sub>	1 <sup>21</sup> / <sub>32</sub>	1 <sup>1</sup> / <sub>32</sub>	2 <sup>1</sup> / <sub>16</sub>	7 <sup>7</sup> / <sub>8</sub>	1 <sup>3</sup> / <sub>4</sub>
GUB08	2 <sup>1</sup> / <sub>16</sub>	1 <sup>21</sup> / <sub>32</sub>	2 <sup>1</sup> / <sub>16</sub>	2 <sup>1</sup> / <sub>16</sub>	1 <sup>21</sup> / <sub>32</sub>	1 <sup>1</sup> / <sub>32</sub>	2 <sup>1</sup> / <sub>16</sub>	7 <sup>7</sup> / <sub>8</sub>	1 <sup>3</sup> / <sub>4</sub>
GUB03	3 <sup>3</sup> / <sub>8</sub>	2 <sup>1</sup> / <sub>2</sub>	3 <sup>3</sup> / <sub>16</sub>	3 <sup>3</sup> / <sub>16</sub>	3	1 <sup>5</sup> / <sub>32</sub>	2 <sup>1</sup> / <sub>16</sub>	1 <sup>5</sup> / <sub>32</sub>	2 <sup>1</sup> / <sub>16</sub>
GUB04	3 <sup>3</sup> / <sub>8</sub>	1 <sup>21</sup> / <sub>32</sub>	3 <sup>3</sup> / <sub>16</sub>	3 <sup>3</sup> / <sub>16</sub>	3	1 <sup>5</sup> / <sub>32</sub>	2 <sup>1</sup> / <sub>16</sub>	1 <sup>5</sup> / <sub>32</sub>	2 <sup>1</sup> / <sub>16</sub>
GUB01110	4 <sup>3</sup> / <sub>4</sub>	3	4	6	4	2	4	1 <sup>21</sup> / <sub>32</sub>	3 <sup>3</sup> / <sub>16</sub>
GUB15151	6	4	5 <sup>1</sup> / <sub>4</sub>	5 <sup>5</sup> / <sub>8</sub>	4	2	4	2	4

**Dimensions (in inches):**



GUB01, GUB02, GUB03, GUB06, GUB01110 and GUB15151

Dotted mounting feet are included on GUB03, GUB01110 and GUB15151 only;  
GU and GUE are provided with attachable mounting strap

Cat. #	a	b	c <sup>Ⓚ</sup>	d <sup>Ⓚ</sup>	e	f	g	h	j	k <sup>Ⓚ</sup>	l <sup>Ⓚ</sup>	m	n
GU	4 <sup>15</sup> / <sub>16</sub>	4 <sup>15</sup> / <sub>16</sub>	3 <sup>13</sup> / <sub>16</sub>	3 <sup>13</sup> / <sub>16</sub>	3 <sup>5</sup> / <sub>8</sub>	—	—	—	4 <sup>1</sup> / <sub>8</sub>	1 <sup>1</sup> / <sub>16</sub>	3 <sup>1</sup> / <sub>16</sub>	2 <sup>1</sup> / <sub>8</sub>	4 <sup>1</sup> / <sub>8</sub>
GUE	5 <sup>7</sup> / <sub>16</sub>	5 <sup>7</sup> / <sub>16</sub>	4 <sup>7</sup> / <sub>16</sub>	4 <sup>7</sup> / <sub>16</sub>	3 <sup>3</sup> / <sub>8</sub>	—	—	—	5 <sup>5</sup> / <sub>8</sub>	2 <sup>1</sup> / <sub>4</sub>	3 <sup>1</sup> / <sub>16</sub>	3 <sup>1</sup> / <sub>2</sub>	4 <sup>1</sup> / <sub>8</sub>
GUB01	6 <sup>1</sup> / <sub>2</sub>	7	6 <sup>1</sup> / <sub>2</sub>	5 <sup>7</sup> / <sub>8</sub>	5 <sup>5</sup> / <sub>8</sub>	5 <sup>3</sup> / <sub>4</sub>	7 <sup>1</sup> / <sub>2</sub>	1 <sup>13</sup> / <sub>32</sub>	5 <sup>3</sup> / <sub>4</sub>	3 <sup>1</sup> / <sub>16</sub>	4 <sup>1</sup> / <sub>2</sub>	4 <sup>1</sup> / <sub>16</sub>	6 <sup>1</sup> / <sub>4</sub>
GUB02	8	10	7 <sup>7</sup> / <sub>8</sub>	9 <sup>7</sup> / <sub>8</sub>	7	8 <sup>3</sup> / <sub>4</sub>	9	1 <sup>13</sup> / <sub>32</sub>	5 <sup>7</sup> / <sub>8</sub>	3	4 <sup>9</sup> / <sub>16</sub>	4 <sup>1</sup> / <sub>16</sub>	7 <sup>3</sup> / <sub>4</sub>
GUB06	8 <sup>1</sup> / <sub>2</sub>	10	7 <sup>3</sup> / <sub>8</sub>	8 <sup>7</sup> / <sub>8</sub>	7	8 <sup>3</sup> / <sub>4</sub>	9 <sup>1</sup> / <sub>2</sub>	7 <sup>1</sup> / <sub>16</sub>	7 <sup>3</sup> / <sub>8</sub>	4 <sup>1</sup> / <sub>4</sub>	5 <sup>13</sup> / <sub>16</sub>	5 <sup>1</sup> / <sub>4</sub>	7 <sup>3</sup> / <sub>4</sub>
GUB08	8 <sup>1</sup> / <sub>2</sub>	10	7 <sup>3</sup> / <sub>8</sub>	8 <sup>7</sup> / <sub>8</sub>	7	2 <sup>1</sup> / <sub>2</sub>	9 <sup>5</sup> / <sub>8</sub>	7 <sup>1</sup> / <sub>16</sub>	7 <sup>3</sup> / <sub>8</sub>	4 <sup>1</sup> / <sub>4</sub>	5 <sup>13</sup> / <sub>16</sub>	5 <sup>1</sup> / <sub>4</sub>	7 <sup>3</sup> / <sub>4</sub>
GUB03	11	12	9 <sup>3</sup> / <sub>4</sub>	10 <sup>3</sup> / <sub>4</sub>	9 <sup>5</sup> / <sub>8</sub>	10 <sup>3</sup> / <sub>4</sub>	12 <sup>1</sup> / <sub>8</sub>	7 <sup>1</sup> / <sub>16</sub>	8 <sup>3</sup> / <sub>16</sub>	5	7 <sup>3</sup> / <sub>8</sub>	6 <sup>5</sup> / <sub>8</sub>	11
GUB04	11	12	9 <sup>3</sup> / <sub>4</sub>	10 <sup>3</sup> / <sub>4</sub>	9 <sup>5</sup> / <sub>8</sub>	3 <sup>1</sup> / <sub>2</sub>	12 <sup>1</sup> / <sub>8</sub>	7 <sup>1</sup> / <sub>16</sub>	8 <sup>1</sup> / <sub>16</sub>	5	7 <sup>3</sup> / <sub>8</sub>	6 <sup>1</sup> / <sub>2</sub>	11
GUB01110	14 <sup>1</sup> / <sub>16</sub>	18 <sup>1</sup> / <sub>16</sub>	13	17	12 <sup>1</sup> / <sub>4</sub>	16	16	1	13 <sup>1</sup> / <sub>2</sub>	6 <sup>13</sup> / <sub>16</sub>	10 <sup>1</sup> / <sub>4</sub>	9 <sup>3</sup> / <sub>4</sub>	14
GUB15151	20 <sup>7</sup> / <sub>8</sub>	18 <sup>3</sup> / <sub>8</sub>	19 <sup>3</sup> / <sub>8</sub>	17 <sup>1</sup> / <sub>8</sub>	16 <sup>3</sup> / <sub>4</sub>	18	21	1	16 <sup>5</sup> / <sub>8</sub>	9	13 <sup>1</sup> / <sub>16</sub>	11 <sup>3</sup> / <sub>8</sub>	18

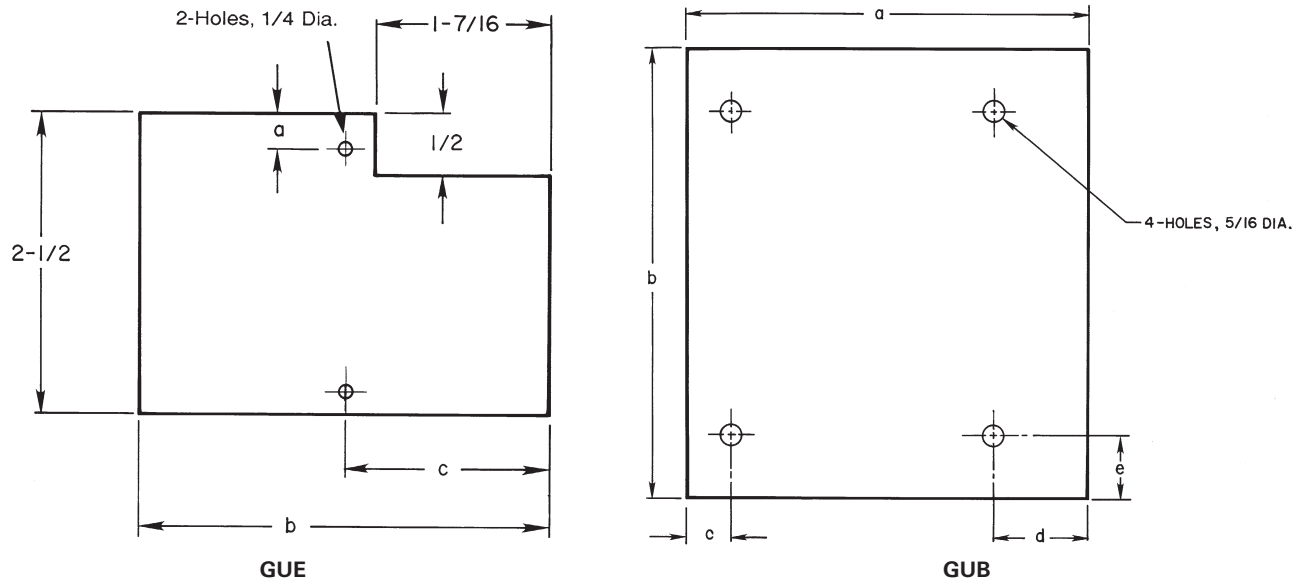
<sup>Ⓚ</sup> Inside dimensions.

For conduit liner ordering information, see Section 6E.

# GUE and GUB junction boxes

## Mounting plate dimensions

**Table 5**  
Mounting plate dimensions



Cat. # Box	Cat. # Mounting plate kit	a	b	c	d	e
GU	GU MPK1	$\frac{9}{32}$	$3\frac{3}{8}$	$1\frac{43}{64}$	—	—
GUE	GUE MP K1	$\frac{9}{32}$	$3\frac{3}{8}$	$1\frac{43}{64}$	—	—
GUB01	GUB MP01	$4\frac{3}{8}$	5	$\frac{3}{8}$	1	1
GUB02	GUB MP02	$5\frac{9}{16}$	$6\frac{1}{4}$	$\frac{5}{8}$	$1\frac{5}{16}$	$\frac{7}{8}$
GUB03	GUB MP03	8	9	$\frac{15}{16}$	$1\frac{5}{16}$	$1\frac{1}{2}$
GUB04	GUB MP03	8	9	$\frac{15}{16}$	$1\frac{5}{16}$	$1\frac{1}{2}$
GUB06	GUB MP02	$5\frac{9}{16}$	$6\frac{1}{4}$	$\frac{5}{8}$	$1\frac{5}{16}$	$\frac{7}{8}$
GUB08	GUB MP02	$5\frac{9}{16}$	$6\frac{1}{4}$	$\frac{5}{8}$	$1\frac{5}{16}$	$\frac{7}{8}$
GUB01110	GUB MP01110	$8\frac{3}{4}$	12	$\frac{7}{16}$	$1\frac{7}{16}$	$1\frac{3}{4}$
GUB15151	GUB MP15151	14	14	$1\frac{5}{8}$	$1\frac{5}{8}$	$1\frac{5}{8}$

For conduit liner ordering information, see Section 6E.



# Threaded covers for GUB junction boxes

Cl. I, Div. 1 & 2, Groups B, C, D  
 Cl. II, Div. 1, Groups E, F, G  
 Cl. II, Div. 2, Groups F, G  
 Cl. III  
 NEMA 7B, CD, 9EFG

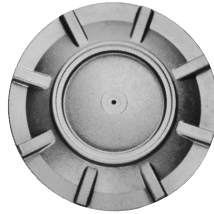
Explosionproof  
 Dust-ignitionproof  
 Raintight  
 Wet locations  
 Watertight

1E

## Applications:

GUB and EPC threaded covers are used with GUB boxes in control systems in hazardous areas:

- Indoors and outdoors
- In three categories:
  - Flat – for normal use; furnished with standard GUB boxes
  - Glass window – to provide visibility of meter indications when used to enclose meters
  - Domed – for increasing volume of GUB to make it easier to splice and pull large conductors



GUB flat cover



GUB glass cover



GUB dome cover

## Ordering information:

To order, specify body and conduit openings in normal manner (see previous pages) and state catalog number of cover required.

## Features:

- Domed – more suitable for use when splices of heavy conductors are made and enclosed, since the conductors may be pulled in with the ends outside the box. After the splices are made, they do not have to be crowded back into the box.
- Glass window – has maximum diameter glass to give best visibility. In selecting, the diameter of the meter face should match or be slightly smaller than window diameter.

Body size <sup>ⓑ</sup>	Cat. # Flat cover	Cat. # Glass window cover	Dome cover	
			Cat. #	Nominal depth
GUB01	GUB0101	GUB0110	GUB714 GUB7110	4 10
GUB02 GUB06 GUB08	GUB0102	GUB0108	GUB726	6
GUB03 GUB04	GUB0103	GUB0109	GUB738 GUB7316	10 17
GUB01110	EPC2110		EPC2115	5
GUB15151	EPC2151			

## Certifications and compliances:

### NEC:

**GUB0101, GUB0102, GUB0103, GUB714, GUB7110, EPC2110, EPC2151**

- Class I, Divisions 1 & 2, Groups B, C, D
- Class II, Division 1, Groups E, F, G
- Class II, Division 2, Groups F, G
- Class III

### UL standard:

- UL1203

### All other covers:

- Class I, Divisions 1 & 2, Group D
- Class II, Division 1, Groups E, F, G
- Class II, Division 2, Groups F, G
- Class III

### CEC:

- CSA standard C22.2 No. 30
- Class I, Divisions 1 & 2, Group D
- Class II, Division 1, Groups E, F, G
- Class II, Division 2, Groups F, G
- Class III

**Note:** GUB covers are suitable for use in hazardous areas only when used with appropriate GUB enclosures.

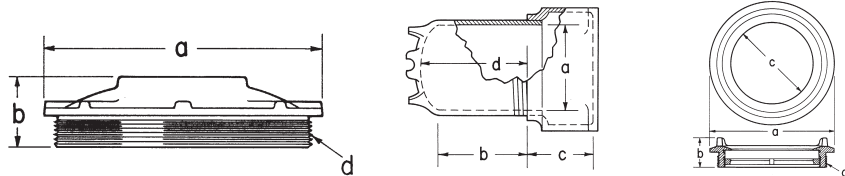
## Standard material:

- Copper-free aluminum

## Standard finish:

- Natural

## Dimensions (in inches):



GUB with dome covers

Glass covers

## Flat covers

Cat. #	a	b	Thread size
			d
GUB0101	6 <sup>5</sup> / <sub>16</sub>	1 <sup>3</sup> / <sub>32</sub>	5 <sup>7</sup> / <sub>8</sub> - 12
GUB0102	7 <sup>13</sup> / <sub>16</sub>	1 <sup>15</sup> / <sub>16</sub>	7 <sup>7</sup> / <sub>8</sub> - 12
GUB0103	11 <sup>1</sup> / <sub>16</sub>	2 <sup>3</sup> / <sub>4</sub>	9 <sup>1</sup> / <sub>4</sub> - 8
EPC2110	12 <sup>7</sup> / <sub>8</sub>	5 <sup>7</sup> / <sub>32</sub>	12.66 - 8
EPC2151	17	5 <sup>9</sup> / <sub>16</sub>	16.91 - 8

## Glass covers

Cat. #	a	b	Window opening	Thread size
			c	d
GUB0110	6 <sup>5</sup> / <sub>16</sub>	1 <sup>13</sup> / <sub>16</sub>	3 <sup>5</sup> / <sub>8</sub>	5 <sup>7</sup> / <sub>8</sub> - 12
GUB0108	7 <sup>13</sup> / <sub>16</sub>	2 <sup>1</sup> / <sub>16</sub>	4 <sup>3</sup> / <sub>4</sub>	7 <sup>7</sup> / <sub>8</sub> - 12
GUB0109	11 <sup>1</sup> / <sub>16</sub>	1 <sup>15</sup> / <sub>16</sub>	6 <sup>13</sup> / <sub>16</sub>	9 <sup>1</sup> / <sub>4</sub> - 8

## Dome covers

Cat. #	a	b	For dimension C			
			GUB02	GUB06	GUB08	All others d
GUB714	5 <sup>1</sup> / <sub>16</sub>	2 <sup>3</sup> / <sub>4</sub>				4 <sup>3</sup> / <sub>16</sub>
GUB7110	5 <sup>1</sup> / <sub>16</sub>	9 <sup>3</sup> / <sub>8</sub>				4 <sup>3</sup> / <sub>16</sub>
GUB726	6 <sup>5</sup> / <sub>16</sub>	5 <sup>5</sup> / <sub>8</sub>	4 <sup>1</sup> / <sub>8</sub>	5 <sup>5</sup> / <sub>8</sub>	5 <sup>5</sup> / <sub>8</sub>	6 <sup>3</sup> / <sub>4</sub>
GUB738	8 <sup>7</sup> / <sub>8</sub>	8				6 <sup>5</sup> / <sub>8</sub>
GUB7316	8 <sup>7</sup> / <sub>8</sub>	15 <sup>1</sup> / <sub>4</sub>				6 <sup>5</sup> / <sub>8</sub>
EPC2115	11 <sup>9</sup> / <sub>16</sub>	3 <sup>9</sup> / <sub>16</sub>				8 <sup>1</sup> / <sub>2</sub>
EPC21116	11 <sup>9</sup> / <sub>16</sub>	14 <sup>3</sup> / <sub>16</sub>				8 <sup>1</sup> / <sub>2</sub>

<sup>Ⓐ</sup> Check certifications and compliances for specific hazardous area ratings for each catalog number.

<sup>Ⓑ</sup> Bodies are grouped by size of cover opening and take any of the covers shown in the group.

For conduit liner ordering information, see Section 6E.