

Rigid/intermediate grade conduit fittings

Insulating & throat bushings

Rigid fittings

THROAT BUSHINGS – MALLEABLE IRON

Threaded 105°C rated plastic throat liner

UL File No. E-19189



Insulated

Cat. #	Size	Unit qty.	Wt. lbs. per 100
1031	1/2"	100	3
1032	3/4"	100	4
1033	1"	50	7
1034	1 1/4"	50	15
1035	1 1/2"	10	19
1036	2"	20	22
1037	2 1/2"	10	44
1038	3"	10	54
1039	3 1/2"	5	72
1040	4"	5	95
1041	5"	1	100
1042	6"	1	127

Threadless 105°C rated plastic throat liner

UL File No. E-19189



Cat. #	Size	Unit qty.	Wt. lbs. per 100
S1031	1/2"	100	3
S1032	3/4"	100	4
S1033	1"	50	7
S1034	1 1/4"	50	15
S1035	1 1/2"	10	19
S1036	2"	20	22
S1037	2 1/2"	10	44
S1038	3"	10	54
S1039	3 1/2"	5	72
S1040	4"	5	95
S1041	5"	1	100
S1042	6"	1	127

INSULATED THROAT BUSHINGS – MALLEABLE IRON

Features:

- Plastic liner will not chip, crack, swell or shrink; it resists corrosion, chemicals and temperature extremes

Standard materials:

- Body – malleable iron
- Insuliner – ULTEM1000 rated at 150°C

Standard finish:

- Body – zinc plated

Threaded 150°C rated

UL File No. E-19189



Cat. #	Size	Unit qty.	Wt. lbs. per 100
H1031	1/2"	100	6
H1032	3/4"	100	8
H1033	1"	50	11
H1034	1 1/4"	50	14
H1035	1 1/2"	10	17
H1036	2"	20	24
H1037	2 1/2"	10	51
H1038	3"	10	62
H1039	3 1/2"	5	85
H1040	4"	5	104
H1041	5"	1	130
H1042	6"	1	167

INSULATED THROAT BUSHINGS

Threadless 150°C rated set screw type

UL File No. E-19189



Cat. #	Size	Unit qty.	Wt. lbs. per 100
HS1031	1/2"	100	6
HS1032	3/4"	100	7
HS1033	1"	50	10
HS1034	1 1/4"	50	13
HS1035	1 1/2"	10	15
HS1036	2"	20	21
HS1037	2 1/2"	10	42
HS1038	3"	10	51
HS1039	3 1/2"	5	65
HS1040	4"	5	80
HS1041	5"	1	100
HS1042	6"	1	128

Rigid/intermediate grade conduit fittings

Insulated bushings

INSULATED THROAT BUSHINGS – ZINC DIE CAST

Features:

- Threaded

150°C rated – zinc die cast

UL File No. E-19189



Cat. #	Size	Unit qty.	Wt. lbs. per 100
H1031DC	1/2"	100	2
H1032DC	3/4"	100	3
H1033DC	1"	50	5
H1034DC	1 1/4"	50	7
H1035DC	1 1/2"	20	9
H1036DC	2"	10	11
H1037DC	2 1/2"	10	27
H1038DC	3"	5	33
H1039DC	3 1/2"	5	39
H1040DC	4"	2	46

NON-INSULATED THROAT BUSHINGS – ZINC DIE CAST

Features:

- Used with locknut to terminate threaded rigid conduit or IMC to enclosure
- Threaded



Cat. #	Size	Unit qty.	Wt. lbs. per 100
1031DC	1/2"	100	2
1032DC	3/4"	100	3
1033DC	1"	50	5
1034DC	1 1/4"	50	7
1035DC	1 1/2"	20	9
1036DC	2"	10	10
1037DC	2 1/2"	10	26
1038DC	3"	5	32
1039DC	3 1/2"	5	37
1040DC	4"	2	43

NON-INSULATED THROAT BUSHINGS – MALLEABLE IRON

Features:

- Used with locknut to terminate threaded rigid conduit or IMC to enclosure
- Threaded



Cat. #	Size	Unit qty.	Wt. lbs. per 100
1031NI	1/2"	100	3
1032NI	3/4"	100	4
1033NI	1"	50	7
1034NI	1 1/4"	50	15
1035NI	1 1/2"	10	19
1036NI	2"	20	22
1037NI	2 1/2"	10	44
1038NI	3"	10	54
1039NI	3 1/2"	5	72
1040NI	4"	5	95
1041NI	5"	1	152
1042NI	6"	1	185

INSULATING BUSHINGS

Features:

- Threaded

Standard material:

- Plastic

UL File No. E-19189



Cat. # Rated 105°C	Cat. # Rated 150°C	Size	Unit qty.	Wt. lbs. per 100
931	H 931	1/2"	50	1
932	H 932	3/4"	50	1
933	H 933	1"	50	2
934	H 934	1 1/4"	50	3
935	H 935	1 1/2"	25	3
936	H 936	2"	25	4
937	H 937	2 1/2"	10	8
938	H 938	3"	10	10
939	H 939	3 1/2"	5	11
940	H 940	4"	5	11
941		5"	5	40
942		6"	5	42

Applications:

LNR conduit liners are installed in rigid metal conduit or IMC:

- To provide a smooth wire entry from conduit into enclosures to protect wires from abrasion as they are pulled
- With thin wall or thick wall enclosures
- Entering drilled and tapped openings or slip holes
- Entering an enclosure vertically or horizontally
- Regardless of where the conduit ends in relation to the enclosure wall

Features:

- UL Listed and CSA certified
- No need for threaded bushings, reducers or special machining
- Corrosion- and heat-resistant polypropylene material
- Smooth flange provides easy wire pulling and protects conductors being installed
- Space saving
- Molded ribs ensure a tight fit, preventing the liner from sliding out while conductors are being pulled
- Quick and easy to install

Certifications and compliances:

- NEC Article 346-8
- CSA standard: C22.2 No. 18
- U.S. Patent No. 5,383,688

Standard material:

- Polypropylene

Standard finish:

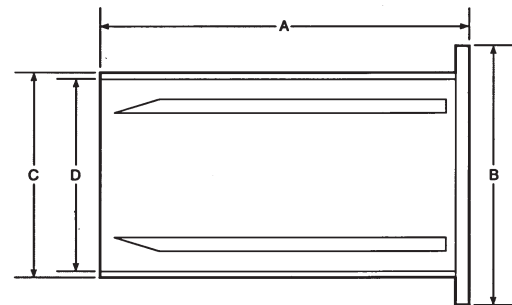
- Natural (clear)



Ordering information:

Size	Cat. #
1/2"	LNR1
3/4"	LNR2
1"	LNR3
1 1/4"	LNR4
1 1/2"	LNR5
2"	LNR6
2 1/2"	LNR7
3"	LNR8
3 1/2"	LNR9
4"	LNR10

Dimensions (in inches):



Size	A	B	C	D
1/2"	1 3/16	7/8	5/8	9/16
3/4"	1 9/16	1 1/8	13/16	3/4
1"	2 1/16	1 3/8	1 1/16	7/8
1 1/4"	2 1/16	1 3/4	1 3/8	1 1/4
1 1/2"	2 9/16	2	1 5/8	1 1/16
2"	2 9/16	2 1/16	2 1/16	1 1/8
2 1/2"	2 7/8	2 1/16	2 1/4	2 17/64
3"	2 7/8	3 3/16	3 1/16	2 7/8
3 1/2"	3 1/16	4 1/16	3 9/16	3 3/8
4"	3 1/16	4 9/16	4	3 3/8