

# XB15 range 5, 10 & 15 joule xenon beacons

Ex d, weatherproof



## Overview

These certified beacons have been designed for use in potentially explosive atmospheres and harsh environmental conditions. The enclosures are suitable for use offshore or onshore, where light weight combined with corrosion resistance is required.

The housings are manufactured completely from a UV stable, glass reinforced polyester. Stainless steel screws and mounting bracket are incorporated ensuring a totally corrosion-free product.

The model XB15 contains a supervisory diode and four wire lead connections for alarm applications.

Units can be painted to customer specification and supplied with identification labels.

As well as the standard worldwide certificates, EN54-23 and SIL1 are both now available.

As well as the XB15 being certified from -55°C to +70°C, the new control circuits have been designed to consistently energise at -55°C.

## Features

- Zones 1, 2, 21 & 22
- Exd IIC, T4/T5/T6
- ATEX certified, Ex II 2GD
- IECEx certified Gb, Db
- UL certified for USA and Canada:
  - Hazardous locations:
    - Class I, Div. 2, Groups A, B, C & D
    - Class II, Div 2 Groups F & G
    - Class I, Zone 1, AExd IIC T4/T5/T6
  - Ordinary locations: visual-signal device
  - Marine listed
- ULC certified to Canadian Safety Standards
- CCC Ex certified
- GB certified
- CCCF certified
- INMETRO certified
- CCOE certified
- IP66 & 67
- EN54-23 certified
- SIL 2 certified
- Certified temperature from -55°C to +70°C
- 5, 10 & 15J versions available
- Pipe mount or direct mount enclosure
- Corrosion-free GRP
- Four wire and supervisory diode
- Optional stainless steel backstrap
- Various lens colours
- Optional relay or telephone initiate
- Optional cast or wire lens guard
- Up to 3 x M20 or 3 x M25 entries
- LED version available (see data sheet for LD15)
- Improved inrush current characteristics
- Consistent extreme temperature start-up
- Automatic synchronization option



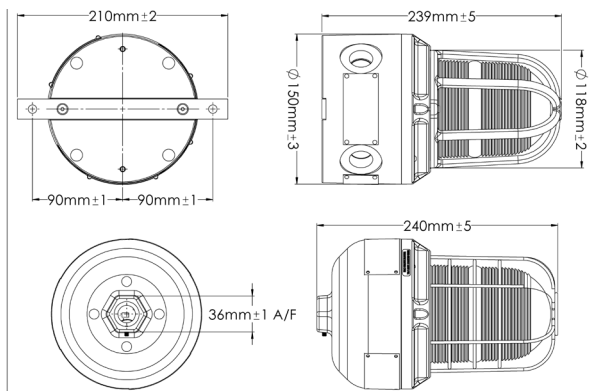
## Certifications

<b>ATEX Ex d</b>	Cert. no. Baseefa 04ATEX0009X Certified to: EN 60079-0, EN 60079-1, EN 60079-28, EN 60079-31 Ex II 2 GD Ex db op is IIC T4/T5/T6 Gb, Ex tb op is IIIC T85°C/T100°C/T135°C Db
<b>IECEX Ex d</b>	Cert. no. IECEX BAS 05.0048X Certified to: IEC 60079-0, IEC 60079-1, IEC 60079-28, IEC 60079-31 Ex db op is IIC T4/T5/T6 Gb, Ex tb op is IIIC T85°C/T100°C/T135°C Db
<b>UL Haz Locs</b>	Cert. no. E187894 Class I, Div 2, Groups A, B, C & D Class II, Div 2, Groups F & G Class I, Zones 1, AExd IIC T4/T5/T6
<b>UL Ord Locs/Marine</b>	Cert. no. SB128. Visual signal device
<b>ULC Haz Locs</b>	For ULC ordering codes and technical details please refer to the US data sheet
<b>INMETRO Ex d</b>	Ex db op is IIC T4/T5/T6 Gb, Ex tb op is IIIC T85°C/T100°C/T135°C Db
<b>CCC Ex</b>	Ex db IIC T4/T5/T6 Gb, Ex tb IIIC T85°C/T100°C/T135°C Db
<b>GB (GuoBiao)</b>	Ex db op is IIC T4/T5/T6 Gb, Ex tb op is IIIC T85°C/T100°C/T135°C Db
<b>SIL</b>	SIL2 certified to IEC61508. Cert number FSP 12004.
<b>EN54-23</b>	LPCB: 1120b/01, CPR: 0832-CPR-F0761 (White) LPCB: 1120b/02, CPR: 0832-CPR-F0762 (Red)
<b>CCCF</b>	Chinese Compulsory Certification for Fire Systems (CCCF)

## Specifications

<b>Material</b>	Body: glass reinforced polyester Lens: borosilicate glass Backstrap: stainless steel 316 Wire guard (optional): stainless steel wire Cast guard (optional): aluminium LM25M
<b>Finish</b>	Natural black or painted to customer specification
<b>Models</b>	XB15 ATEX – available in direct mount version only XB15 UL – available in pipe and direct mount versions
<b>Voltage</b>	24, 48V d.c. - 110, 120, 230, 240, 254V a.c.
<b>Tube energy</b>	5, 10 & 15 Joule
<b>Tube life</b>	>1 x 10 <sup>6</sup> flashes
<b>Flash rate</b>	60, 80, 120 fpm
<b>Certified temp</b>	15J: -55°C to +70°C (T4), -55°C to +40°C (T5) 10J: -55°C to +70°C (T4), -55°C to +55°C (T5), -55°C to +40°C (T6) 5J: -55°C to +70°C (T5), -55°C to +55°C (T6)
<b>Weight</b>	Pipe mount: 2.6kg; Direct mount: 3.0kg
<b>Ingress protection</b>	IP66 & IP67
<b>Entries</b>	ATEX version: Standard: 2 x M20 Optional: 1 x M20/M25, 3 x M20/M25 entries UL version: Standard pipe: ¾" NPT Standard direct: 2 x ¾" NPT Optional direct: 1 x ½"/¾" NPT or 3 x ½"/¾" Dual UL/ATEX, UL/IECEX: Standard direct: 2 x ¾" NPT
<b>Terminals</b>	Direct mount: 12 x 2.5mm <sup>2</sup> /14AWG. Pipe mount: 8 x 14AWG
<b>Relay initiate</b>	Operates with 24V d.c. initiate supplies only
<b>Telephone initiate</b>	Operates from telephone ringing voltage
<b>Labels</b>	Tag/duty label optional
<b>Synchronization</b>	Up to 6 beacons on a loop can synchronize without the need for an external controller. Beacons will need to be the same flashrate and need the A code in the options

## General arrangement drawing (all dimensions in mm)



### Electrical:

Nominal voltage @ 60fpm	d.c.		a.c. (50Hz*)				
	24V	48V	110V	120V	230V	240V	254V
Average current 5J (mA)	330	150	120	130	70	70	70
Average current 10J (mA)	650	320	190	210	110	120	120
Average current 15J (mA)	900	430	220	250	140	160	140

\*For 60Hz please refer to the US datasheet

### Typical light output:

	5J	10J	15J
Effective (Cd)	107	280	382
Peak (Cd)	173,000	342,000	520,000

### Multiplying factor for coloured lens:

Red	Blue	Amber	Green	Yellow
0.12	0.11	0.29	0.22	0.74

### EN54-23 rating:

White		Red	
Rating	Volume (m <sup>3</sup> )	Rating	Volume (m <sup>3</sup> )
C-3-32	2,413	C-3-16	603
C-6-31	4,529	C-6-6	170
C-9-12	1,018		
W-8-13	1,352	W-3-5	75

## Ordering requirements

The following code is designed to help in selection of the correct unit. Build up the reference number by inserting the code for each component into the appropriate box

Model	Certification	Voltage	Tube energy	Flashrate	Lens colour	Lens guard	Fixings	Options	Finish																																																																										
XB15																																																																																			
<table border="1"> <thead> <tr> <th>Certification</th> <th>Code</th> </tr> </thead> <tbody> <tr><td>ATEX</td><td>B</td></tr> <tr><td>ATEX+EN54-23</td><td>B54</td></tr> <tr><td>IECEX</td><td>J</td></tr> <tr><td>Dual ATEX/UL</td><td>AU</td></tr> <tr><td>Dual IECEX/UL</td><td>JU</td></tr> <tr><td>UL</td><td>UL</td></tr> <tr><td>UL(ordinary locations)</td><td>UW</td></tr> <tr><td>UL Marine</td><td>UM</td></tr> <tr><td>CCC Ex/GB</td><td>Q</td></tr> <tr><td>CCC Ex/GB/CCCF</td><td>QF</td></tr> <tr><td>INMETRO</td><td>DM</td></tr> <tr><td>Weatherproof</td><td>W</td></tr> <tr><td>Weatherproof +EN54-23</td><td>W54</td></tr> </tbody> </table>		Certification	Code	ATEX	B	ATEX+EN54-23	B54	IECEX	J	Dual ATEX/UL	AU	Dual IECEX/UL	JU	UL	UL	UL(ordinary locations)	UW	UL Marine	UM	CCC Ex/GB	Q	CCC Ex/GB/CCCF	QF	INMETRO	DM	Weatherproof	W	Weatherproof +EN54-23	W54	<table border="1"> <thead> <tr> <th>Energy</th> <th>Code</th> </tr> </thead> <tbody> <tr><td>5 Joule</td><td>05</td></tr> <tr><td>10 Joule</td><td>10</td></tr> <tr><td>15 Joule</td><td>15†</td></tr> </tbody> </table> <p>†EN54/CCCF &amp; UM must be 15J</p>		Energy	Code	5 Joule	05	10 Joule	10	15 Joule	15†	<table border="1"> <thead> <tr> <th>Lens</th> <th>Code</th> </tr> </thead> <tbody> <tr><td>Red</td><td>R*†</td></tr> <tr><td>Blue</td><td>B</td></tr> <tr><td>Green</td><td>G</td></tr> <tr><td>Amber</td><td>A</td></tr> <tr><td>Yellow</td><td>Y</td></tr> <tr><td>Clear</td><td>C</td></tr> </tbody> </table> <p>*EN54 must be red or clear †CCCF must be red</p>		Lens	Code	Red	R*†	Blue	B	Green	G	Amber	A	Yellow	Y	Clear	C	<table border="1"> <thead> <tr> <th>Fixing</th> <th>Code</th> </tr> </thead> <tbody> <tr><td>Pipe mount</td><td>P*†</td></tr> <tr><td>Direct mount without backstrap</td><td>D†</td></tr> <tr><td>Direct mount with backstrap</td><td>B†</td></tr> </tbody> </table> <p>*Only available on UL listings *Not available for EN54/CCCF †Contact MEDC if 1/2"NPT is required</p>		Fixing	Code	Pipe mount	P*†	Direct mount without backstrap	D†	Direct mount with backstrap	B†	<table border="1"> <thead> <tr> <th>Finish</th> <th>Code</th> </tr> </thead> <tbody> <tr><td>Natural black</td><td>N</td></tr> <tr><td>Red</td><td>R</td></tr> <tr><td>Blue</td><td>B</td></tr> <tr><td>Yellow</td><td>Y</td></tr> <tr><td>Green</td><td>G</td></tr> <tr><td>White</td><td>W</td></tr> <tr><td>Special</td><td>S*</td></tr> </tbody> </table> <p>*Please specify</p>		Finish	Code	Natural black	N	Red	R	Blue	B	Yellow	Y	Green	G	White	W	Special	S*
Certification	Code																																																																																		
ATEX	B																																																																																		
ATEX+EN54-23	B54																																																																																		
IECEX	J																																																																																		
Dual ATEX/UL	AU																																																																																		
Dual IECEX/UL	JU																																																																																		
UL	UL																																																																																		
UL(ordinary locations)	UW																																																																																		
UL Marine	UM																																																																																		
CCC Ex/GB	Q																																																																																		
CCC Ex/GB/CCCF	QF																																																																																		
INMETRO	DM																																																																																		
Weatherproof	W																																																																																		
Weatherproof +EN54-23	W54																																																																																		
Energy	Code																																																																																		
5 Joule	05																																																																																		
10 Joule	10																																																																																		
15 Joule	15†																																																																																		
Lens	Code																																																																																		
Red	R*†																																																																																		
Blue	B																																																																																		
Green	G																																																																																		
Amber	A																																																																																		
Yellow	Y																																																																																		
Clear	C																																																																																		
Fixing	Code																																																																																		
Pipe mount	P*†																																																																																		
Direct mount without backstrap	D†																																																																																		
Direct mount with backstrap	B†																																																																																		
Finish	Code																																																																																		
Natural black	N																																																																																		
Red	R																																																																																		
Blue	B																																																																																		
Yellow	Y																																																																																		
Green	G																																																																																		
White	W																																																																																		
Special	S*																																																																																		
		<table border="1"> <thead> <tr> <th>Voltage</th> <th>Code</th> </tr> </thead> <tbody> <tr><td>24V d.c.</td><td>024†</td></tr> <tr><td>48V d.c.</td><td>048</td></tr> <tr><td>110V a.c.</td><td>110</td></tr> <tr><td>120V a.c.</td><td>120</td></tr> <tr><td>230V a.c.</td><td>230</td></tr> <tr><td>240V a.c.</td><td>240</td></tr> <tr><td>254V a.c.</td><td>254*</td></tr> </tbody> </table> <p>†EN54/CCCF must be 24Vdc *Not available UL/UM/UW/AU/JU</p>		Voltage	Code	24V d.c.	024†	48V d.c.	048	110V a.c.	110	120V a.c.	120	230V a.c.	230	240V a.c.	240	254V a.c.	254*	<table border="1"> <thead> <tr> <th>Flashrate</th> <th>Code</th> </tr> </thead> <tbody> <tr><td>60/min</td><td>06*</td></tr> <tr><td>80/min</td><td>08</td></tr> <tr><td>120/min</td><td>12</td></tr> </tbody> </table> <p>*EN54/CCCF must be 60/min</p>		Flashrate	Code	60/min	06*	80/min	08	120/min	12	<table border="1"> <thead> <tr> <th>Guard</th> <th>Code</th> </tr> </thead> <tbody> <tr><td>None</td><td>N*</td></tr> <tr><td>Cast</td><td>C</td></tr> <tr><td>Wire</td><td>W</td></tr> </tbody> </table> <p>*EN54/CCCF not available with lens guard</p>		Guard	Code	None	N*	Cast	C	Wire	W	<table border="1"> <thead> <tr> <th>Option</th> <th>Code</th> </tr> </thead> <tbody> <tr><td>None</td><td>N</td></tr> <tr><td>Tag label</td><td>T*</td></tr> <tr><td>Duty label</td><td>D*</td></tr> <tr><td>Relay initiate</td><td>R†</td></tr> <tr><td>Telephone initiate</td><td>I†</td></tr> <tr><td>Blanking plug</td><td>P</td></tr> <tr><td>EOL resistor</td><td>E§</td></tr> <tr><td>Auto Sync</td><td>A †¶</td></tr> </tbody> </table> <p>*Please specify. For EN54/ UL one label only. For AU/JU no labels. †Suitable for 24V d.c initiate supplies only. Not CCCF ‡Not available on UL/UW/UM/SIL/EN54/CCCF §Please specify ¶ 24V d.c only</p>		Option	Code	None	N	Tag label	T*	Duty label	D*	Relay initiate	R†	Telephone initiate	I†	Blanking plug	P	EOL resistor	E§	Auto Sync	A †¶																								
Voltage	Code																																																																																		
24V d.c.	024†																																																																																		
48V d.c.	048																																																																																		
110V a.c.	110																																																																																		
120V a.c.	120																																																																																		
230V a.c.	230																																																																																		
240V a.c.	240																																																																																		
254V a.c.	254*																																																																																		
Flashrate	Code																																																																																		
60/min	06*																																																																																		
80/min	08																																																																																		
120/min	12																																																																																		
Guard	Code																																																																																		
None	N*																																																																																		
Cast	C																																																																																		
Wire	W																																																																																		
Option	Code																																																																																		
None	N																																																																																		
Tag label	T*																																																																																		
Duty label	D*																																																																																		
Relay initiate	R†																																																																																		
Telephone initiate	I†																																																																																		
Blanking plug	P																																																																																		
EOL resistor	E§																																																																																		
Auto Sync	A †¶																																																																																		

