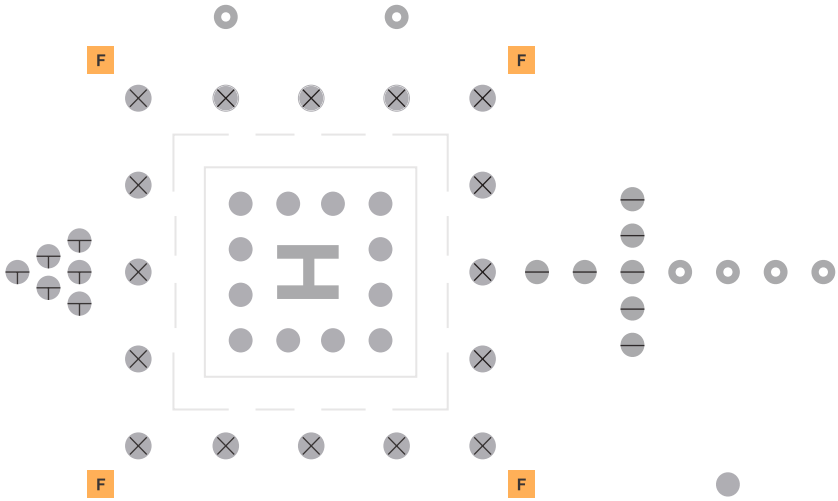






FLOODLIGHT 60 W

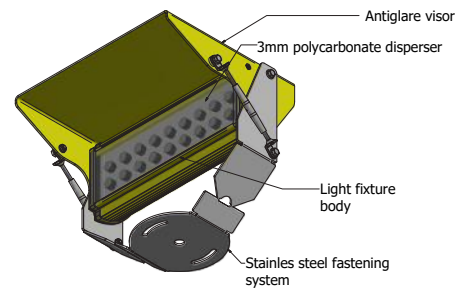
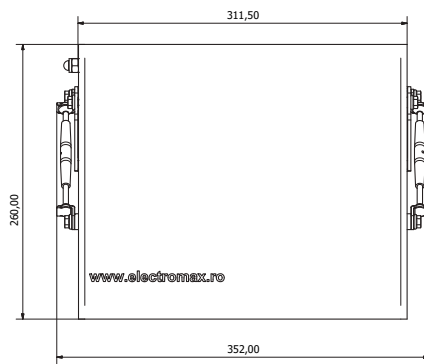
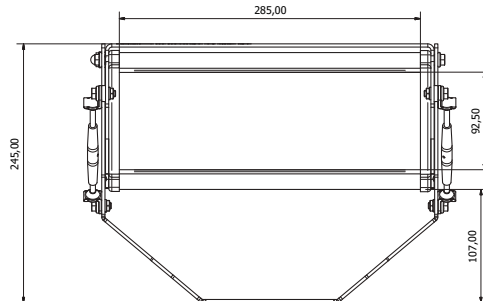


<p>Compliance to standards</p>	<p>ICAO: Annex 14, Volume I - Aerodrome Design and Operations Annex 14, Volume II - Heliports IEC TS 61827: Electrical installations for lighting and beaconing of aerodromes. Characteristics of inset and elevated luminaires used on aerodromes and heliports</p>
<p>Application</p>	<p>Floodlight lights</p>  <p>Legend:</p> <ul style="list-style-type: none"> ⬆ Aiming Point Lights ⊗ FATO Lights ⬆ Floodlights ○ Approach Lights ○ Taxiway Lights ● TLOF Lights ⬆ Approach ● Beacon Light
<p>Features</p>	<p>Designed and built with simplicity and ease of maintenance in mind. High power LED technology. Lightweight, low-energy and environment friendly lighting fitting. Extensive use of aluminium alloys reduces fitting weight and eases handling in the field.</p>

<p>Product Code</p>	<p>AL - 074 - 18 - WH</p> <p>Series Indicator (Airfield Lighting) AL Product Indicator 074 LEDs Number (4 LEDs) 18 LEDs Light Colour (cool white) WH</p>
<p>Description</p>	<p>Housing - powder coated aluminium RAL 1004 (aviation yellow) </p> <p>Anti glare visor - powder-coated aluminium, RAL 1004 (aviation yellow)</p> <p>Dispenser - 3mm clear polycarbonate</p> <p>Cable gland - with anti condensation valve</p> <p>Fastening system - stainless steel</p> <p>Vertical adjustment system - stainless steel</p> <p>Light fixtures are UV protected.</p>
<p>Environment</p>	<p>Temperature range: - 55° to +55°</p> <p>Degree of protection: IP 66</p> <p>Ka tested: Salt mist in accordance with IEC 60068-2-11 and IEC 60068-2-25</p>
<p>Mounting</p>	<p>Surface mounted with Base Plate </p> <p>Φ160mm ElectroMax Shallow Base </p> <p>Φ8" IEC type Shallow Base with Adapter Ring </p>

Mechanical Characteristics

Dimensions 352 x 260 x 245 mm
Weight 4.25 kg



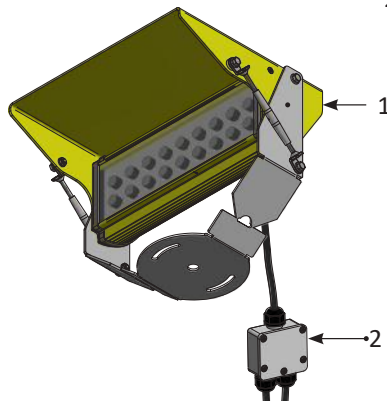
Electrical Characteristics

Power consumption 60W
Power supply 90-230V, 50/60Hz - non dimmable

1. Light Fixture pre cabled with 0,5m cable:
Code: AL-055-08-WH
2. Optional IP68 Electrical Junction Box
Code: AL-107-AX

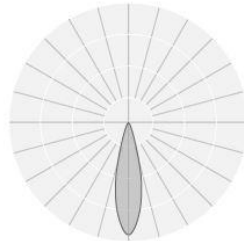
Power supply :

230V AC directly from mains power supply
Live (brown)
Neutral (blue)
Ground (green/yellow)



Photometric Characteristics

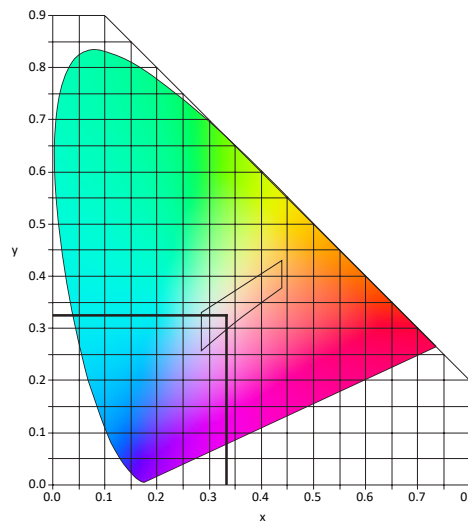
Intensity level: 100%, 30%, 10% from controller
Light colour: Cool white
 Luminous efficacy of white LEDs is minimum 145 lm/W for cool white



Fixture luminous flux: 6658lm
Fixture luminous efficacy: 116lm/W
Optical distribution: symmetrical
Optics viewing angle: 23°
 On demand other types of optics can be used

CAUTION: Before ordering we recommend a simulation of the photometric parameters.






The light colour emitted by the light fixture is white, with the trichromatic coordinates:



x=0,327
 y=0,338
 z=0,335

Accessory

To order accessories please call our customer support.
For contact details please refer to our website - www.signalight.com

#	NAME - SERIES	PRODUCT CODE	IMAGE
1	ElectroMax Standard Φ 160mm Shallow Base	AL-104-AX	
2	Adapter Ring for 8" Shallow Base	AL-105-AX	
3	Φ 160mm Surface Mounted Base	AL-106-AX	
4	IP68 Electrical Junction Box	AL-107-AX	
5	Φ 160mm Shallow Base Installation Jig	AL-108-AX	

Spare Parts

