

DATASHEET

# OBELUX AERODROME BEACON

ICAO Annex 14, 2013 6th Edition

# OBELUX

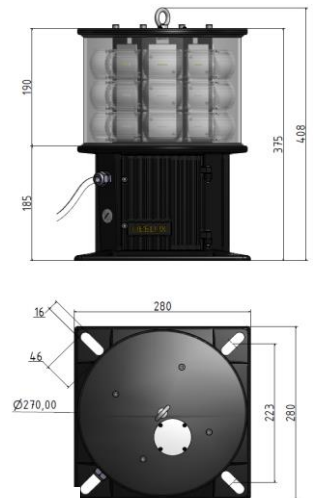
 AVIATION LIGHTS

Obelux Oy, Kutomotie 6 B, 00380 Helsinki FINLAND | The information in this document is subject to change without notice. © Obelux Oy 2014

WWW.OBELUX.COM

## Optical characteristics

- ▶ Effective Intensity > 2 000cd
- ▶ Colour White
- ▶ Flash Sequence 20-30FPM
- ▶ Horizontal beam 360°
- ▶ Vertical beam 5 degrees



## AERODROME BEACON

An aerodrome beacon is intended for use at night if one or more of the following conditions exist: a) aircraft navigate predominantly by visual means; b) reduced visibilities are frequent; or c) it is difficult to locate the aerodrome from the air due to surrounding lights or terrain. The aerodrome beacon is located on or adjacent to the aerodrome in an area of low ambient background lighting.

## Specifications met

ICAO Annex 14, 2013, 6<sup>th</sup> Edition,  
 5.3.3 Aeronautical Beacon,  
 5.3.3.3 Aerodrome Beacon

## Key Features

- ▶ Based on LED technology
- ▶ Doesn't require any additional controllers
- ▶ Infrared (850nm) incorporated for NVG compatibility
- ▶ Aluminium body and glass cover
- ▶ Height only 408mm, and weight 14kg
- ▶ Operating voltage 100-240VAC
- ▶ 5 year warranty- the longest in the industry

# DATASHEET

## OBELUX AERODROME BEACON

ICAO Annex 14, 2013 6th Edition

**OBELUX**  
 AVIATION LIGHTS

Obelux Oy, Kutumotie 6 B, 00380 Helsinki FINLAND | The information in this document is subject to change without notice. © Obelux Oy 2014

WWW.OBELUX.COM

### Electrical Characteristics

- ▶ Operating voltage 90-265V<sub>AC</sub>
- ▶ Power consumption (average)
  - < 15W
- ▶ Recommended cables (Outdoor):
  - Power (L-N-PE): 3x1,5mm<sup>2</sup> or 3x2,5mm<sup>2</sup>
  - Control: Max. 5x2,5mm<sup>2</sup>

### Mechanical Characteristics

- ▶ Painted marine grade aluminium body (C5MHigh)
- ▶ Glass cover
- ▶ Degree of protection IP66
- ▶ Operating temperature range -40...+55 °C
- ▶ 2x Cable gland M25 for 6-17 mm cable diameter
- ▶ Mounting 240x240mm, φ17mm
- ▶ Height 408 mm, diameter 270 mm
- ▶ Weight 14 kg

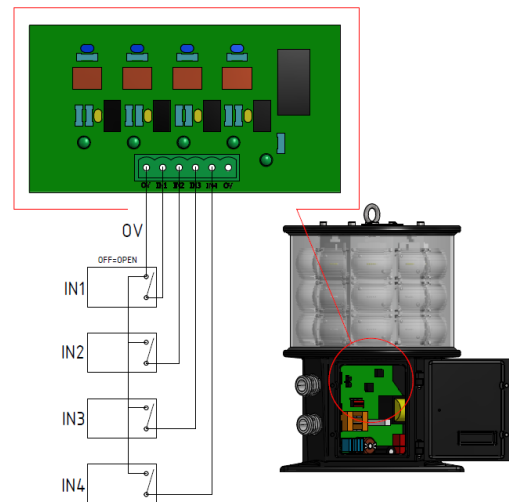
### Control by Relay Signal (DIP [1..3]=0)

Mode	IN1	IN2	IN3	IN4
Light OFF	0	0	0	0
100%	-	-	-	1
10%	-	-	1	0
3%	-	1	0	0
Auto dimming	1	0	0	0

1 = on  
 0 = off  
 off=open (=indicator LED is ON)  
**Auto dimming mode**  
 3% = Night (<50lx)  
 10% = Twilight (50 - 600lx)  
 100% = Day (>600lx)

### Control by Dip Switches

Mode	DIP1	DIP2	DIP3
Manual operation (control by Relay Signal)	0	0	0
100%	0	0	1
10%	0	1	0
3%	0	1	1
Auto dimming	1	0	0



Location of control relays

Order code	Output	ICAO	Op. volt.	Infrared	Packing dimensions
OBX-ARB-A001	2 000cd	Aerodrome Beacon	90-265VAC	Yes	470x340x330, 16kg