

DATASHEET

OBELUX HELIPORT BEACON

ICAO Annex 14, 2013 4th Edition

OBELUX
AVIATION LIGHTS

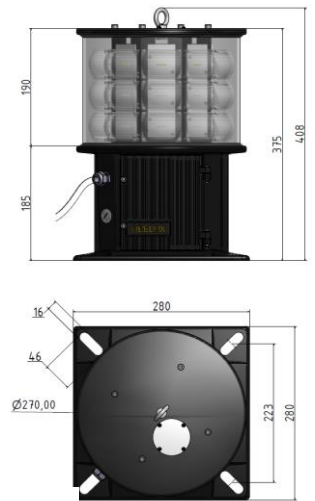
Obelux Oy, Kutomotie 6 B, 00380 Helsinki FINLAND | The information in this document is subject to change without notice. © Obelux Oy 2014

WWW.OBELUX.COM

Optical characteristics

- ▶ Colour White
- ▶ Flash Characteristics 0.8 sec – 1.2 sec – 0.8 sec, flash duration 0.5 -2.0 milliseconds
- ▶ Horizontal beam 360°
- ▶ Vertical beam

| Vertical angle | Min. Intensity (effective) |
|----------------|----------------------------|
| 0...1.5° | 1700cd |
| 1.5...2.5° | 2500cd |
| 2.5...4° | 1700cd |
| 4...7° | 750cd |
| 7...10° | 250cd |



HELIPORT BEACON

Heliport beacon provides a long range visual guidance and identification of the heliport. The heliport beacon is located on or adjacent to the heliport preferably at an elevated position and so that it does not dazzle a pilot at short range.

Specifications met

ICAO Annex 14, 2013 4th Edition,
Heliport Beacon

Key Features

- ▶ Based on LED technology
- ▶ Doesn't require any additional controllers
- ▶ Incorporated photocell for automatic intensity adjustment
- ▶ Several intensity adjustment levels available
- ▶ Infrared (850nm) incorporated for NVG compatibility
- ▶ Aluminium body and glass cover
- ▶ Height only 408mm, and weight 14kg
- ▶ Operating voltage 100-240VAC
- ▶ 5 year warranty- the longest in the industry

DATASHEET

OBELUX HELIPORT BEACON

ICAO Annex 14, 2013 4th Edition

OBELUX
 AVIATION LIGHTS

Electrical Characteristics

- ▶ Operating voltage 90-265V_{AC}
- ▶ Power consumption (average)
 - < 15W
- ▶ Recommended cables (Outdoor):
 - Power (L-N-PE): 3x1,5mm² or 3x2,5mm²
 - Control: Max. 5x2,5mm²

Mechanical Characteristics

- ▶ Painted marine grade aluminium body (C5MHigh)
- ▶ Glass cover
- ▶ Degree of protection IP66
- ▶ Operating temperature range -40...+55 °C
- ▶ 2x Cable gland M25 for 6-17 mm cable diameter
- ▶ Mounting 240x240mm, φ17mm
- ▶ Height 408 mm, diameter 270 mm
- ▶ Weight 14 kg

Control by Relay Signal (DIP [1..3]=0)

| Mode | IN1 | IN2 | IN3 | IN4 |
|--------------|-----|-----|-----|-----|
| Light OFF | 0 | 0 | 0 | 0 |
| 100% | - | - | - | 1 |
| 10% | - | - | 1 | 0 |
| 3% | - | 1 | 0 | 0 |
| Auto dimming | 1 | 0 | 0 | 0 |

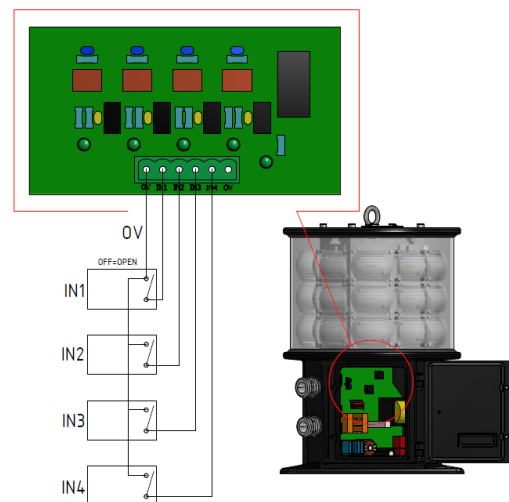
1 = on
 0 = off
 off=open (=indicator LED is ON)

Auto dimming mode

3% = Night (<50lx)
 10% = Twilight (50 - 600lx)
 100% = Day (>600lx)

Control by Dip Switches

| Mode | DIP1 | DIP2 | DIP3 |
|---|------|------|------|
| Manual operation (control by Relay Signal) | 0 | 0 | 0 |
| 100% | 0 | 0 | 1 |
| 10% | 0 | 1 | 0 |
| 3% | 0 | 1 | 1 |
| Auto dimming | 1 | 0 | 0 |



Location of control relays

| Order code | Output | ICAO | Op. volt. | Infrared | Packing dimensions |
|----------------|---------|-----------------|-----------|----------|--------------------|
| OBX-HB-ACW-001 | 2 500cd | Heliport Beacon | 90-265VAC | Yes | 470x340x330, 16kg |