

UPS-230-56

For Obelux LED Aviation Obstruction Lights

OBELUX
AVIATION LIGHTS

Obelux Oy, Kutomatie 6 B, 00380 Helsinki FINLAND | The information in this document is subject to change without notice.

© Obelux Oy 2023

Mechanical characteristics

- ▶ **Enclosure:**
Painted steel (RAL 7035)
Degree of protection IP55
- ▶ **Dimensions (W x H x D):**
400 x 600 x 300 mm
- ▶ **Weight:** < 27 kg (without batteries)
- ▶ **Weight:** < 69 kg (with batteries)
- ▶ **Cable glands:**
2 x M20 (Ø6-13 mm cable) EMC
1 x M25 (reserved)
1 x M20 (reserved)
- ▶ **Lifting eyes:** 2 x M12

Electrical characteristics

- ▶ **Charger / inverter type:**
Victron MultiPlus 24/500/10
 - **Input voltage:**
187-265 V_{AC}, 45-65 Hz
 - **Output voltage:**
230 V_{AC} ± 2%, 50 Hz ± 0,1%
 - **Battery charging current:** 10 A
 - **Continuous output power:**
430 W (@ 25°C)
 - **Peak output power:** 900 W
- ▶ **Operating temperature range:**
-40°C to +65°C (without batteries)
-10°C to +50°C (with batteries)
- ▶ **Overvoltage protection:**
Raycap Strikesorb 30-B-M (input side)

Battery characteristics

- ▶ **Battery type:** Exide ES 650 /
Sonnenschein GF 12 050 V (2 pcs)
- ▶ **Battery capacity:** 56 Ah
- ▶ **Battery weight:** 21 kg (per piece)

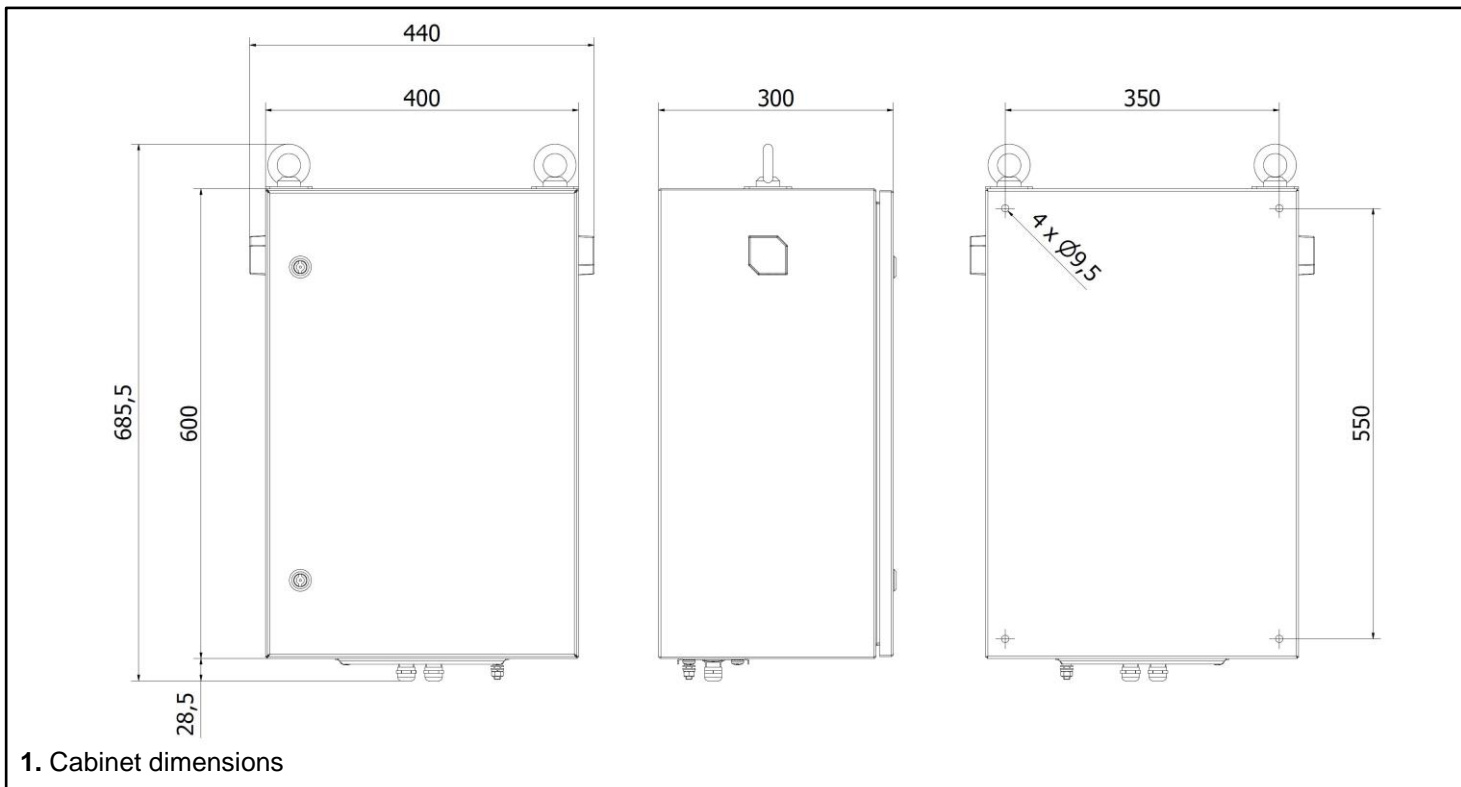


Battery Backup / Power supply

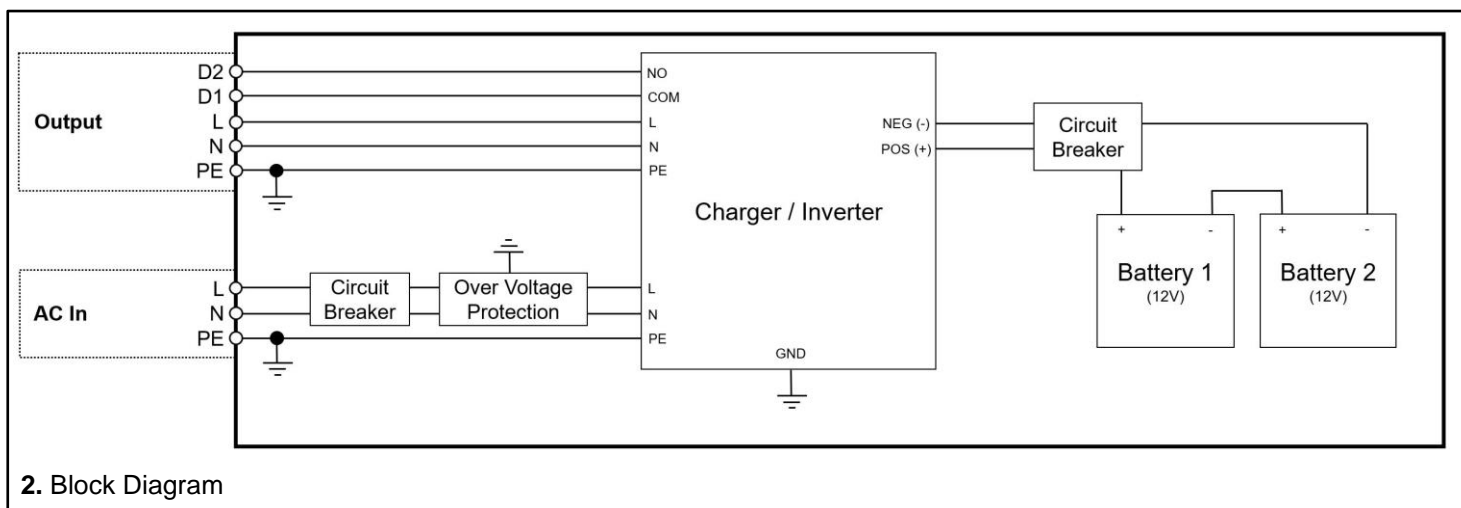
Obelux UPS-230-56 is AC/AC backup power unit for 230 V_{AC} operated Obelux products. Air vents are provided for possible battery gas discharge.

Key Features

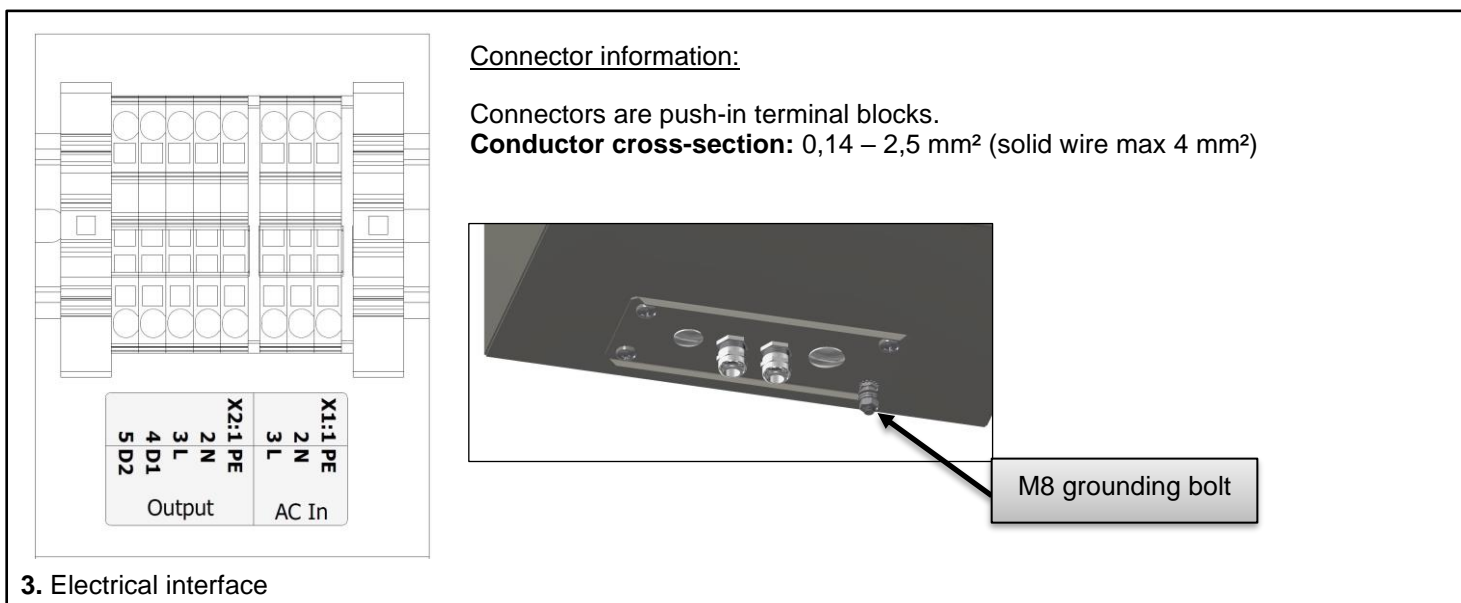
- ▶ 230 V_{AC} / 230 V_{AC} backup power unit
- ▶ Input voltage 187 – 265 V_{AC}
- ▶ Output voltage 230 V_{AC}
- ▶ Battery type sealed GEL battery 12V, 56 Ah (2 pcs)
- ▶ Operating temperature range –10°C to +50°C
- ▶ IP55 enclosure, painted steel, coating RAL7035



1. Cabinet dimensions



2. Block Diagram

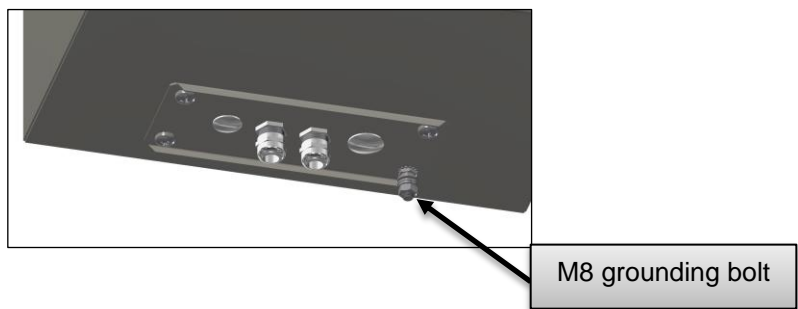


3. Electrical interface

Connector information:

Connectors are push-in terminal blocks.

Conductor cross-section: 0,14 – 2,5 mm² (solid wire max 4 mm²)



M8 grounding bolt

Order code:	Input voltage:	Output voltage:	Continuous output power:	Battery capacity:	Packing dimensions:
UPS-230-56	187-265 V _{AC}	230 V _{AC}	430 W	56 Ah	800 x 600 x 420 mm ¹

¹ Batteries are packed in a separate 420 x 340 x 240 mm package.