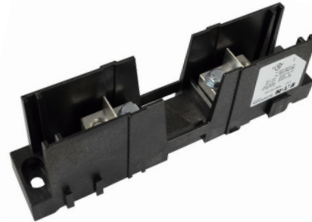


## Class T 600 V fuse blocks



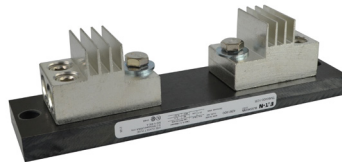
T60060-3CR



TM60100-1CR



TM60200-1CR



TM60400-1CR

### Catalog symbol:

- T60\_
- TM60\_

### Description:

Bussmann™ series 600 V fuse blocks are fuse blocks for use with Class T fuses up to 600 amps in various pole configurations from 1- to 3-poles. 600 V blocks use Bussmann series JJS fuses.

### Specifications:

#### Ratings

- Volts: 600 V
- Amps: Up to 600 A
- Withstand rating: 200 kA RMS Sym.

#### Agency information

- UL® Listed, UL 4248, Guide IZLT, File E14853
- CSA® Certified, C22.2 No. 39, Class 6225-01, File 47235
- CE
- RoHS compliant

#### Flammability

- UL 94 V0

#### Features

- 1-, 2- and 3-pole fuse blocks for 600 Vac Class T fuses
- High 200 kA RMS Sym. short-circuit current ratings
- Class T fuse blocks have a small footprint, providing substantial space savings in equipment
- To reduce inventory, assembly time and labor, modular single-pole blocks snap together for tool-less assembly of multiple poles at point of use (100 A and 200 A blocks only)

### Recommended fuses:

- JJS (see data sheet no. [1029](#))



Powering Business Worldwide



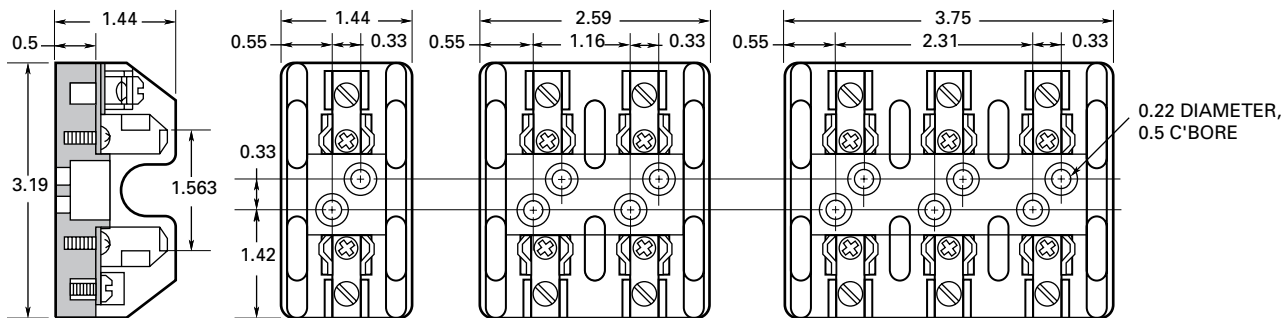
CHS Controls AB  
Tel +46 42 38 61 00, Fax +46 42 38 61 29  
chs@chscontrols.se www.chscontrols.se

**Catalog numbers:**

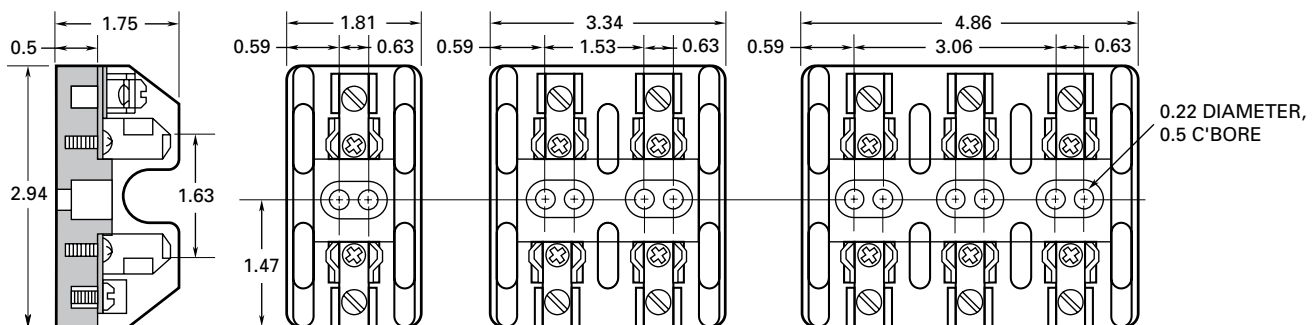
Catalog no./terminals		Amps	Poles	Fig.	Terminal AWG range/ type
Screw	Box lug				
T60030-1SR	T60030-1CR	Up to 30	1	1	SR 10-18 Cu CR 2-14 Cu/Al
T60030-2SR	T60030-2CR		2		
T60030-3SR	T60030-3CR		3		
T60060-1SR	T60060-1CR	31-60	1	2	SR 10-18 Cu CR 2-14 Cu/Al
T60060-2SR	T60060-2CR		2		
T60060-3SR	T60060-3CR		3		
—	TM60100-1CR	61-100	1	3	2/0-14 Cu/Al
—	TM60100-3CR		3		
—	TM60200-1CR	101-200	1	4	250kcmil-6 Cu/Al
—	TM60200-3CR		3		
—	TM60400-1CR	201-400	1	5	600kcmil-2/0 Cu/Al
—	TM60600-1CR	401-600	1	6	(2) 600kcmil-4/0 Cu/Al

**Dimensions (inches)**

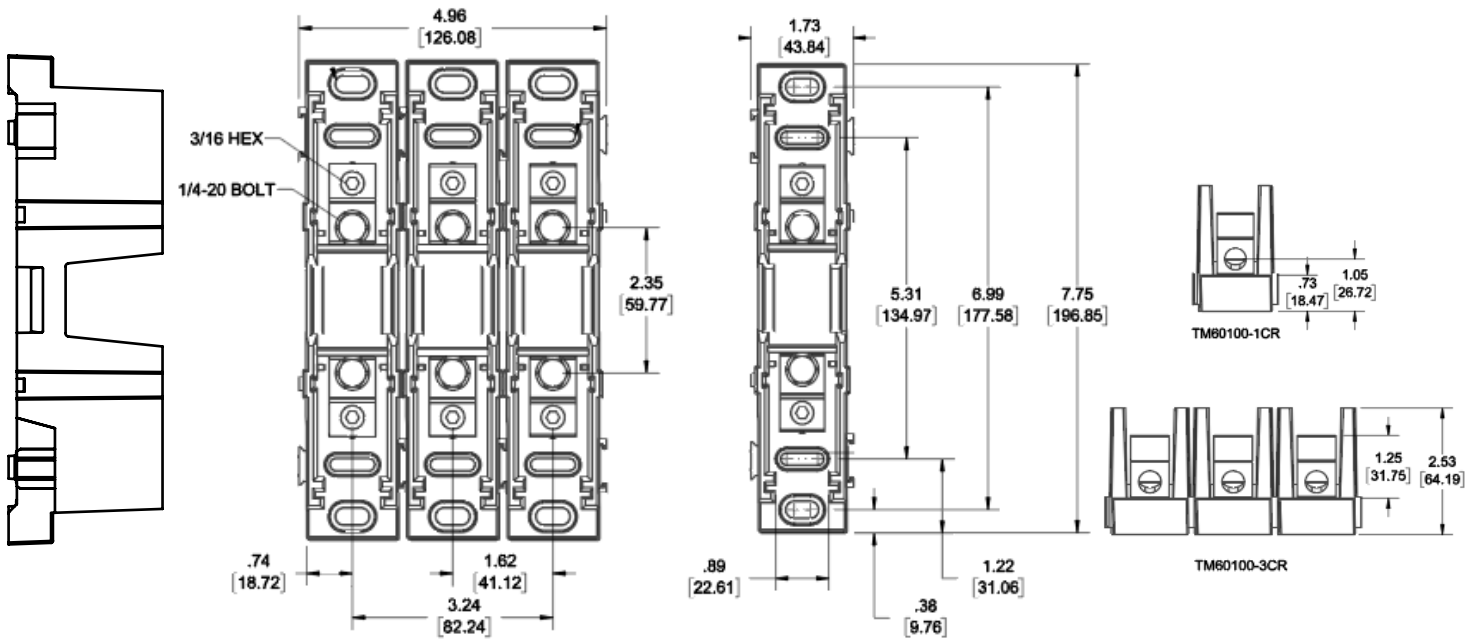
**Up to 30 A**



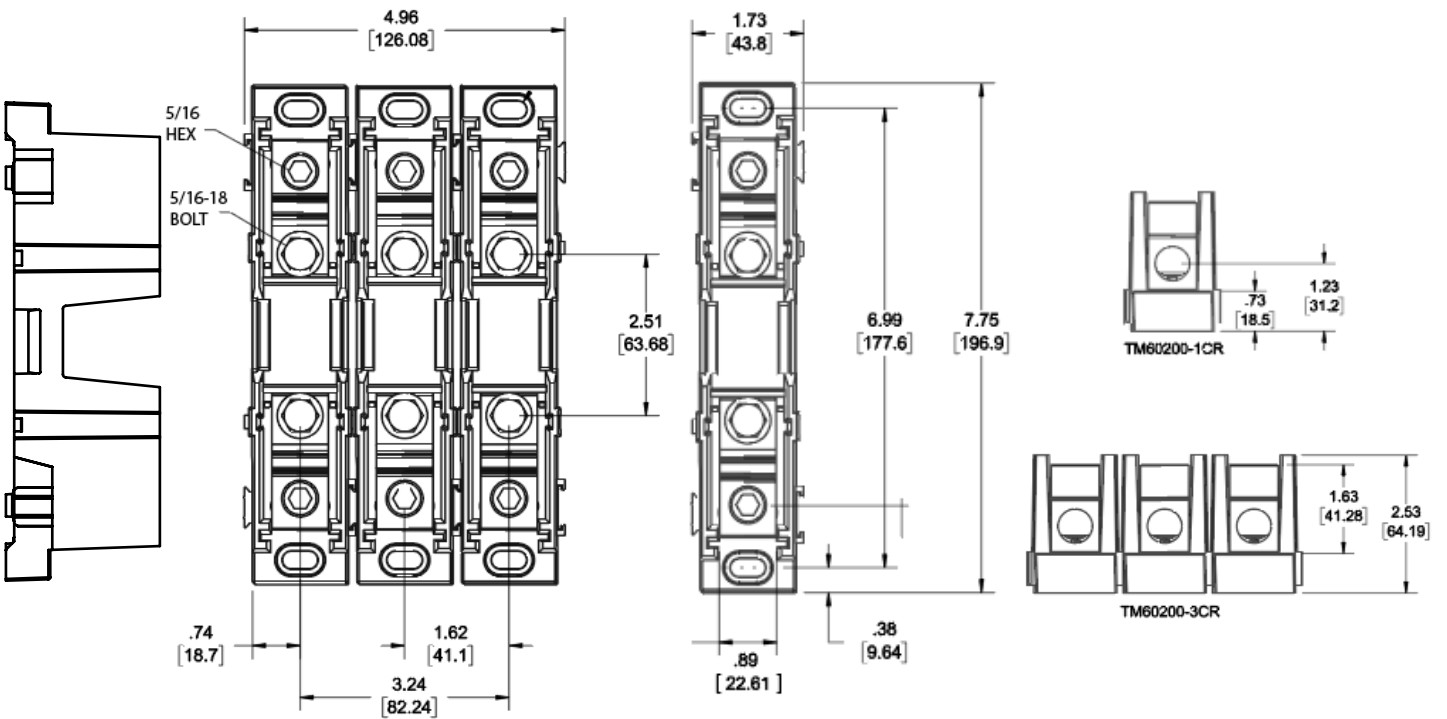
**31 to 60 A**



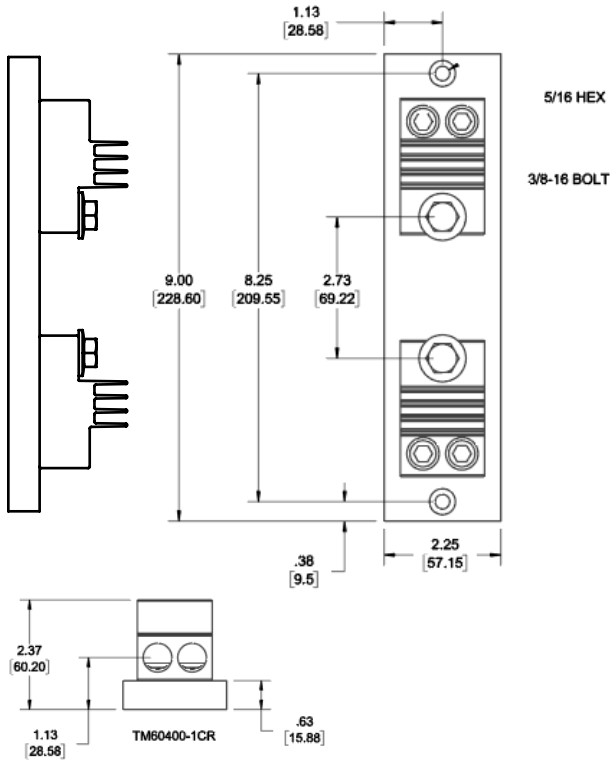
61 to 100 A



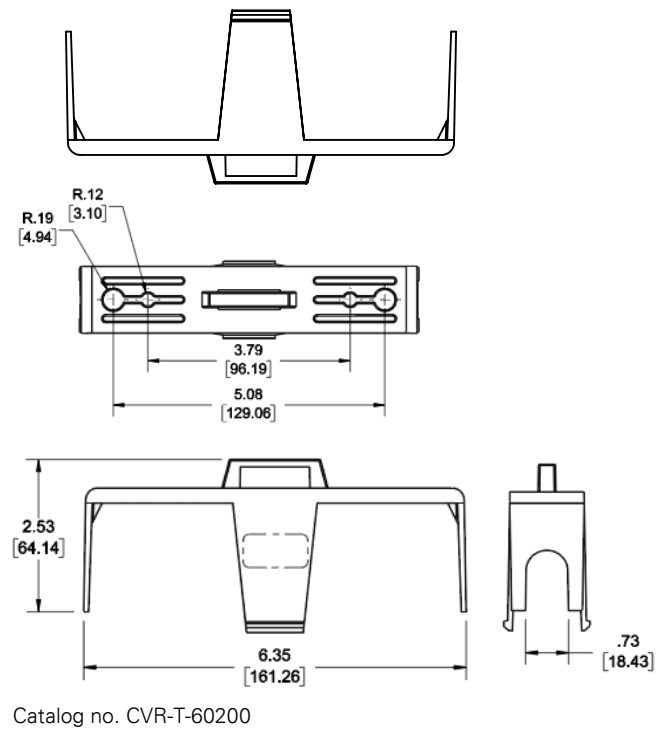
101 to 200 A



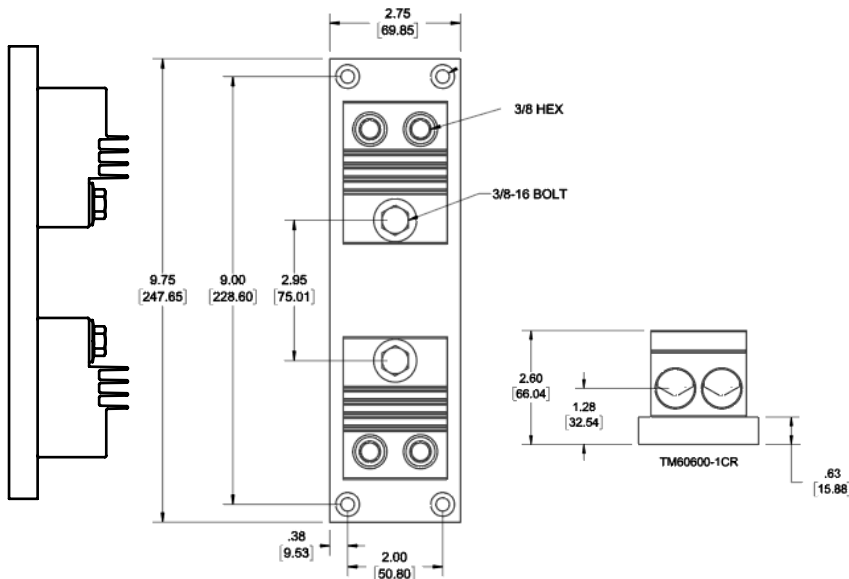
## 201 to 400 A



## 100 to 200 A Fuseholder cover



## 401 to 600 A



The only controlled copy of this data sheet is the electronic read-only version located on the Eaton network drive. All other copies of this document are by definition uncontrolled. This bulletin is intended to clearly present comprehensive product data and provide technical information that will help the end user with design applications. Eaton reserves the right, without notice, to change design or construction of any products and to discontinue or limit distribution of any products. Eaton also reserves the right to change or update, without notice, any technical information contained in this bulletin. Once a product has been selected, it should be tested by the user in all possible applications.

**Eaton**  
1000 Eaton Boulevard  
Cleveland, OH 44122  
Eaton.com

Bussmann Division  
114 Old State Road  
Ellisville, MO 63021  
United States  
[Eaton.com/bussmannseries](http://Eaton.com/bussmannseries)

© 2021 Eaton  
All Rights Reserved  
Publication No. 11253  
October 2021

Eaton and Bussmann are valuable trademarks of Eaton in the U.S. and other countries. You are not permitted to use the Eaton trademarks without prior written consent of Eaton.

CSA is a registered trademark of the Canadian Standards Group.  
UL is a registered trademark of the Underwriters Laboratories, Inc.

For Eaton's Bussmann series product information, call 1-855-287-7626 or visit: [Eaton.com/bussmannseries](http://Eaton.com/bussmannseries)

Follow us on social media to get the latest product and support information.



CHS Controls AB  
Tel +46 42 38 61 00, Fax +46 42 38 61 29  
[chs@chscontrols.se](mailto:chs@chscontrols.se) [www.chscontrols.se](http://www.chscontrols.se)