

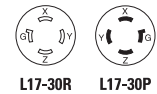
Arrow Hart color coded industrial grade L17-30 locking devices

Project Name:	Prepared By:
Project Number:	Date:
Catalog Number:	Type:

Description

30A, 3Ø 600V/AC, 3-Pole, 4-Wire
NEMA L17-30

● =Black indicates 600 V/AC



Photography is for reference only.

Design features for plug & connector

- All nylon construction
- EPDM gasket seals cord hole from dust and debris
- Back wire terminal clamps for easy secure wiring
- Individual wiring compartments with tapered channel for easy insertion of wires
- Clear cover over wiring compartments allows easy inspection of wiring terminations
- Rating printed on side of device
- Double dovetail cord clamps with reversible inserts provide secure cord retention over a full range of cord diameters

Design features for receptacle

- Rugged glass filled nylon body
- Clearly marked rating, NEMA configuration and approval listings on receptacle face
- One piece brass contacts offer superior performance and minimum heat rise
- Back and side wiring terminal clamps for easy, secure wiring

Design features for flanged inlet & outlet

- All nylon construction
- Mounting holes interchangeable with competitive units
- Back wire terminal clamps for easy, secure wiring
- Individual wiring compartments with tapered channel for easy insertion of wires

Table 1. NEMA L17-30 Color Coded Industrial Grade Locking Devices

Catalog No.	Description	Amps	Volts	Color
□ AHCL1730P	Color Coded ultra grip plug, 3-phase	30	600	Black & Black
□ AHCL1730C	Color Coded ultra grip connector, 3-phase	30	600	Black & Black
□ AHCL1730R	Color Coded single receptacle, 3-phase	30	600	Black & Black
□ AHCL1730FO	Color Coded flanged outlet, 3-phase	30	600	Black & Black
□ AHCL1730FI	Color Coded flanged inlet, 3-phase	30	600	Black & Black

Compliances, specifications and availability are subject to change without notice.



Powering Business Worldwide

Project Name:	Prepared By:
Project Number:	Date:
Catalog Number:	Type:

Applications

The new Eaton Arrow Hart color coded locking devices are designed specifically to improve safety and increase labor savings on the job site. Eaton's color coded locking devices are an industry-first solution that uses the six voltage rating color codes consistent with IEC 60309 standards for plugs, connectors, inlets/outlets and receptacles. Color coded locking devices are available in standard NEMA configurations for 20A and 30A applications. Plugs and connectors are built with a durable nylon shell and body to provide long lasting, dependable service in commercial and industrial environments—their ergonomic design has a comfortable feel, and the double dovetail cord clamps with reversible inserts provide secure cord retention over a full range of cord diameters.

Table 2. Specifications

Catalog No.	AHCL1730 Series		
Device Type	Plug & Connector	Single Receptacle	Flanged Inlet & Outlet
NEMA Config	NEMA L17-30	NEMA L17-30	NEMA L17-30
Wiring Type	Back wire	Back & side wire	Back wire
Environmental Specifications	Flammability: Meets UL94 requirements; V2 rated Temperature Rating: -40°C (w/o impact) to 60°C (-40°F to 140°F) -25°C (w/impact) to 60°C (-13°F to 140°F)	Flammability: Meets UL94 requirements; V0 rated Temperature Rating: -40°C to 70°C (-40°F to 158°F)	Flammability: Meets UL94 requirements; V2 rated Temperature Rating: -40°C (w/o impact) to 60°C (-40°F to 140°F) -25°C (w/impact) to 60°C (-13°F to 140°F)
Electrical Specifications	Dielectric Voltage: Twice the device rating + 1000V per UL498 Current Interrupting: Yes, at full-rated current Temperature Rise: Max. 30°C (86°F) after 50 cycles of overload at 150% of rated current (DC)	Dielectric Voltage: ≤300V: 2000V, 301-600V: 3000V per UL498 Current Interrupting: Yes, at full-rated current Temperature Rise: Max. 30°C (86°F) after 50 cycles of overload @ 150% of rated current (DC)	Dielectric Voltage: ≤300V: 2000V, 301-600V: 3000V per UL498 Current Interrupting: Yes, at full-rated current Temperature Rise: Max. 30°C (86°F) after 50 cycles of overload @ 150% of rated current (DC)
Mechanical Specifications	Terminal Accommodation: #14 - #8 AWG Voltage Ratings: Permanently marked on device	Terminal Accommodation: #14 - #8 AWG Voltage Ratings: Permanently marked on device	Terminal Accommodation: #14 - #8 AWG Voltage Ratings: Permanently marked on device

Table 3. Materials

Catalog No.	AHCL1730 Series		
Device Type	Plug & Connector	Single Receptacles	Flanged Inlet & Outlet
NEMA Config	NEMA L17-30	NEMA L17-30	NEMA L17-30
Face	N/A	Glass-filled nylon	N/A
Base	N/A	Glass-filled nylon	N/A
Mounting Strap	N/A	0.050" thick steel, zinc plated	N/A
Outer Shell	Nylon	N/A	Nylon
Interior Body	Nylon	N/A	Nylon
Terminal Retainer	Polycarbonate	N/A	Polycarbonate
Blades	Brass	N/A	0.062" thick brass (inlet only)
Line Contacts	Bronze, tin plated	0.041" thick brass	0.031" thick bronze (outlet only)
Terminal Clamps/Plates	Steel, tin plated	0.041" thick brass	Steel
Terminal Screws	#10-32 brass, zinc plated (neutral screw)	#10-32 brass, nickel plated (neutral screw)	#10-32 brass, nickel plated (neutral screw)
Ground Screw	#10-32 brass (green)	#10-32 brass (green)	#10-32 brass (green)
Assembly Screws	Steel, nickel plated	N/A	Steel, nickel plated
Gasket/Dust Shield	EPDM	N/A	N/A
Cord Clamp Screws	Steel, nickel plated	N/A	N/A
Cord Clamp	Nylon	N/A	N/A
Ground Contacts	N/A	0.041" thick brass	N/A
Back Plate	N/A	0.041" thick brass, nickel plated	N/A
Mounting Screws	N/A	Steel, zinc plated	Steel, zinc plated



Project Name:	Prepared By:
Project Number:	Date:
Catalog Number:	Type:

Product Dimensions

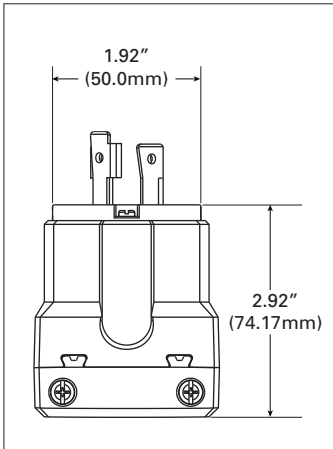


Figure 1. AHCL1730P

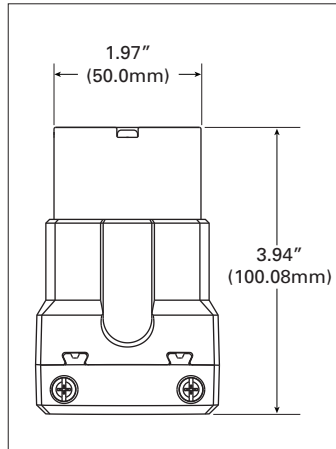


Figure 2. AHCL1730C

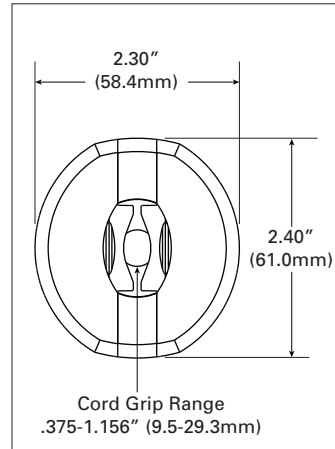


Figure 3. Bottom View

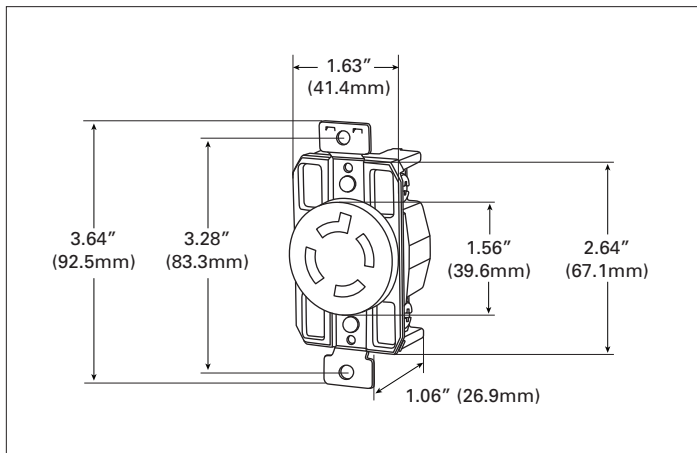


Figure 4. AHCL1730R

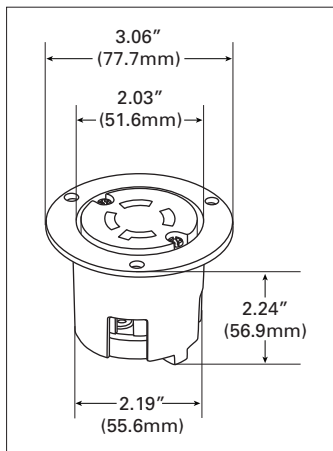


Figure 5. AHCL1730FO

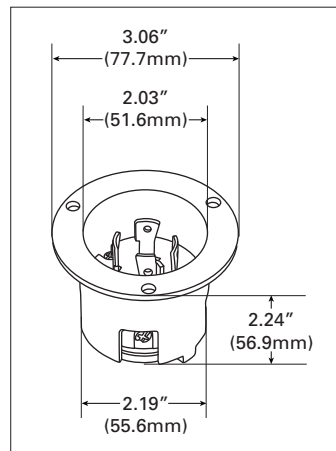


Figure 6. AHCL1730FI

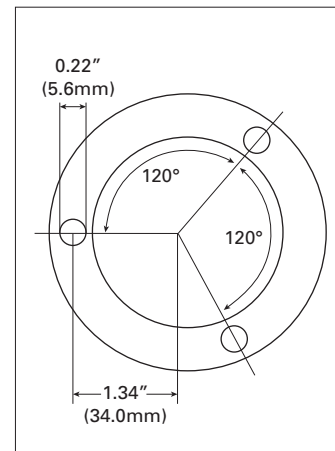








Figure 7. Top View


	CHS Controls AB
	Tel +46 42 38 61 00, Fax +46 42 38 61 29
	chs@chscontrols.se www.chscontrols.se

Project Name:	Prepared By:
Project Number:	Date:
Catalog Number:	Type:

Certifications & Compliances

Catalog No.						
AHCL1730P	•			•	•	•
AHCL1730C	•			•	•	•
AHCL1730R		•	•	•	•	•
AHCL1730FO	•			•	•	•
AHCL1730FI	•			•	•	•

KEY:  cULus  UL  CSA  NAFTA  ROHS  NOM

 Parts are manufactured and designed in accordance with article 4 of the European Union's RoHS2 directive 2011/65/EU

Compliances, specifications and availability are subject to change without notice.

Electrical Sector
203 Cooper Circle
Peachtree City, GA 30269
United States
Eaton.com
Eaton.com/wiringdevices

Electrical Sector
Canada Operations
5925 McLaughlin Road
Mississauga, Ontario, L5R 1B8
Canada
EatonCanada.ca
Eaton.com/wiringdevices

Electrical Sector
Mexico Operations
Carr. Tlalnepantla -
Cuautitlan Km 17.8 s/n
Col. Villa Jardin esq.
Cerrada 8 de Mayo
Cuautitlan, Mexico CP 54800
Mexico
Eaton.mx
Eaton.com/wiringdevices