

# Arrow Hart color coded industrial grade L5-20 locking devices

Project Name:	Prepared By:
Project Number:	Date:
Catalog Number:	Type:

## Description

20A, 125V/AC, 2-Pole, 3-Wire  
NEMA L5-20  
● = Yellow indicates 125 V/AC



Photography is for reference only.

## Design features for plug & connector

- All nylon construction
- EPDM gasket seals cord hole from dust and debris
- Back wire terminal clamps for easy secure wiring
- Individual wiring compartments with tapered channel for easy insertion of wires
- Clear cover over wiring compartments allows easy inspection of wiring terminations
- Rating printed on side of device
- Double dovetail cord clamps with reversible inserts provide secure cord retention over a full range of cord diameters

## Design features for receptacle

- Rugged glass filled nylon body
- Clearly marked rating, NEMA configuration and approval listings on receptacle face
- One piece brass contacts offer superior performance and minimal heat rise
- Back and side wiring terminal clamps for easy, secure wiring

## Design features for flanged inlet & outlet

- All nylon construction
- Mounting holes interchangeable with competitive units
- Back wire terminal clamps for easy, secure wiring
- Individual wiring compartments with tapered channel for easy insertion of wires

**Table 1. NEMA L5-20 Color Coded Industrial Grade Locking Devices**

Catalog No.	Description	Amps	Volts	Color
□ AHCL520P	Color coded ultra grip plug	20	125	Yellow & Black
□ AHCL520C	Color coded ultra grip connector	20	125	Yellow & Black
□ AHCL520R	Color coded single receptacle	20	125	Yellow & Black
□ AHCL520FO	Color coded flanged outlet	20	125	Yellow & Black
□ AHCL520FI	Color coded flanged inlet	20	125	Yellow & Black

Compliances, specifications and availability are subject to change without notice.



Powering Business Worldwide



CHS Controls AB  
Tel +46 42 38 61 00, Fax +46 42 38 61 29  
chs@chscontrols.se www.chscontrols.se

Project Name:	Prepared By:
Project Number:	Date:
Catalog Number:	Type:

## Applications

The new Eaton Arrow Hart color coded locking devices are designed specifically to improve safety and increase labor savings on the job site. Eaton's color coded locking devices are an industry-first solution that uses the six voltage rating color codes consistent with IEC 60309 standards for plugs, connectors, inlets/outlets and receptacles. Color coded locking devices are available in standard NEMA configurations for 20A and 30A applications. Plugs and connectors are built with a durable nylon shell and body to provide long lasting, dependable service in commercial and industrial environments—their ergonomic design has a comfortable feel, and the double dovetail cord clamps with reversible inserts provide secure cord retention over a full range of cord diameters.

**Table 2. Specifications**

Catalog No.	AHCL520 Series		
Device Type	Plug & Connector	Color Coded Single Receptacles	Flanged Inlet & Outlet
<b>NEMA Config</b>	NEMA L5-20	NEMA L5-20	NEMA L5-20
<b>Wiring Type</b>	Back wire	Back & side wire	Back wire
<b>Environmental Specifications</b>	<b>Flammability:</b> Meets UL94 requirements; V2 rated -40°C to 60°C (-40°F to 140°F) <b>Temperature Rating:</b> -40°C (w/o impact) to 60°C (-40°F to 140°F) -25°C (w/impact) to 60°C (-40°F to 130°F)	<b>Flammability:</b> Meets UL94 requirements; V0 rated <b>Temperature Rating:</b> -40°C to 70°C (-40°F to 158°F)	<b>Flammability:</b> Meets UL94 requirements; V2 rated <b>Temperature Rating:</b> -40°C (w/o impact) to 60°C (-40°F to 140°F) -25°C (w/impact) to 60°C (-13°F to 140°F)
<b>Electrical Specifications</b>	<b>Dielectric Voltage:</b> Twice the device rating + 1000V per UL498 <b>Current Interrupting:</b> Yes, at full-rated current <b>Temperature Rise:</b> Max. 30°C (86°F) after 50 cycles of overload at 150% of rated current (DC)	<b>Dielectric Voltage:</b> ≤300V: 2000V, 301-600V: 3000V per UL498 <b>Current Interrupting:</b> Yes, at full-rated current <b>Temperature Rise:</b> Max. 30°C (86°F) after 250 cycles of overload @ 200% of rated current (DC)	<b>Dielectric Voltage:</b> ≤300V: 2000V, 301-600V: 3000V per UL498 <b>Current Interrupting:</b> Yes, at full-rated current <b>Temperature Rise:</b> Flanged outlets: max. 30°C (86°F) after 50 cycles of overload @ 150% of rated current (DC); flanged inlets; max. 30°C (86°F) @ maximum rated current (DC)
<b>Mechanical Specifications</b>	<b>Terminal Accommodation:</b> #14 - #8 AWG <b>Voltage Ratings:</b> Permanently marked on device	<b>Terminal Accommodation:</b> #14 - #8 AWG <b>Voltage Ratings:</b> Permanently marked on device	<b>Terminal Accommodation:</b> #14 - #8 AWG <b>Voltage Ratings:</b> Permanently marked on device

**Table 3. Materials**

Catalog No.	AHCL520 Series		
Device Type	Plug & Connector	Color Coded Single Receptacles	Flanged Inlet & Outlet
<b>NEMA Config</b>	NEMA L5-20	NEMA L5-20	NEMA L5-20
<b>Outer Shell</b>	Nylon	Glass-filled nylon	Nylon
<b>Interior Body</b>	Nylon	Glass-filled nylon	Nylon
<b>Terminal Retainer</b>	Polycarbonate	0.050" thick steel, zinc plated	Polycarbonate
<b>Blades</b>	Brass	N/A	0.062" thick brass
<b>Line Contacts</b>	Bronze, tin plated	0.041" thick brass	0.031" thick bronze, tin plated
<b>Terminal Clamps/Plates</b>	Steel, tin plated	0.041" thick brass	Steel, tin plated
<b>Terminal Screws</b>	#10-32 brass, zinc plated (neutral screw)	#10-32 brass, nickel plated (neutral screw)	#10-32 brass, nickel plated (neutral screw)
<b>Ground Screw</b>	#10-32 brass (green)	#10-32 brass (green)	#10-32 brass (green)
<b>Assembly Screws</b>	Steel, nickel plated	N/A	Steel, nickel plated
<b>Mounting Screws</b>	N/A	Steel, zinc plated	Steel, zinc plated
<b>Gasket/Dust Shield</b>	EPDM	N/A	N/A
<b>Cord Clamp Screws</b>	Steel, nickel plated	N/A	N/A
<b>Cord Clamp</b>	Nylon	N/A	N/A
<b>Ground Contacts</b>	N/A	0.041" thick brass	N/A
<b>Mounting Screws</b>	N/A	Steel, zinc plated	N/A



Project Name:	Prepared By:
Project Number:	Date:
Catalog Number:	Type:

### Product Dimensions

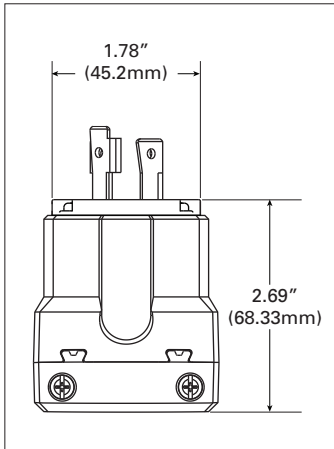


Figure 1. AHCL520P

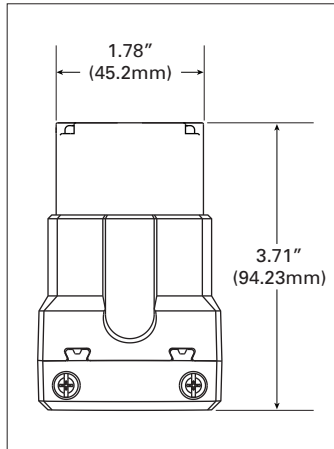


Figure 2. AHCL520C

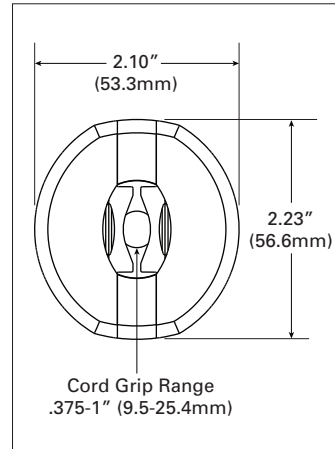


Figure 3. Bottom View

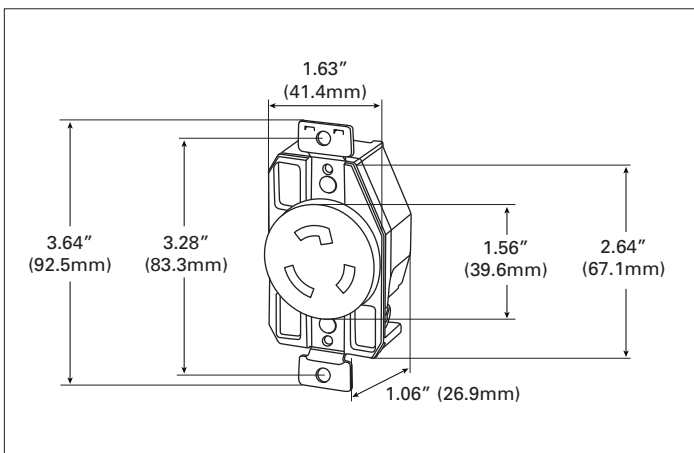


Figure 4. AHCL520R

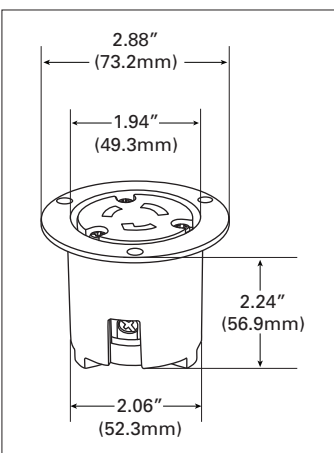


Figure 5. AHCL520FO

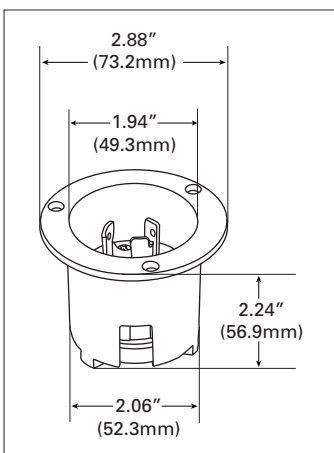


Figure 6. AHCL520FI

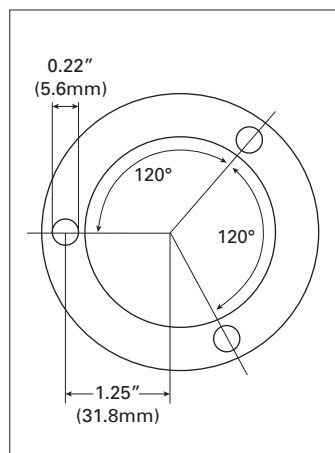









Figure 7. Top View


	CHS Controls AB
	Tel +46 42 38 61 00, Fax +46 42 38 61 29
	chs@chscontrols.se www.chscontrols.se

Project Name:	Prepared By:
Project Number:	Date:
Catalog Number:	Type:

## Certifications & Compliances

Catalog No.							
AHCL520P	•				•	•	•
AHCL520C	•				•	•	•
AHCL520R		•	•	•	•	•	•
AHCL520FO	•				•	•	•
AHCL520FI	•				•	•	•

**KEY:**  cULus  UL  CSA  Fed Spec  NOM  NAFTA  ROHS

 Parts are manufactured and designed in accordance with article 4 of the European Union's RoHS2 directive 2011/65/EU

**Compliances, specifications and availability are subject to change without notice.**

Electrical Sector  
203 Cooper Circle  
Peachtree City, GA 30269  
United States  
Eaton.com  
Eaton.com/wiringdevices

Electrical Sector  
Canada Operations  
5925 McLaughlin Road  
Mississauga, Ontario, L5R 1B8  
Canada  
EatonCanada.ca  
Eaton.com/wiringdevices

Electrical Sector  
Mexico Operations  
Carr. Tlalnepantla -  
Cuautitlan Km 17.8 s/n  
Col. Villa Jardin esq.  
Cerrada 8 de Mayo  
Cuautitlan, Mexico CP 54800  
Mexico  
Eaton.mx  
Eaton.com/wiringdevices