

Industrial grade straight blade devices

Project Name:	Prepared By:
Project Number:	Date:
Catalog Number:	Type:



AH5266



AH5269



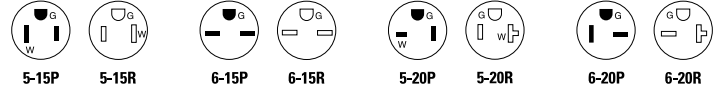
5279C



5679C

Description

NEMA 5-15, 6-15, 5-20 & 6-20, 15 & 20A, 125 & 250V/AC, 2P-3W



Design features for plugs & connectors

- High impact-resistant thermoplastic housings with easy-grip grooves
- Assembly screws are speed-threaded and captive, reducing installation time
- Solid brass plug blades are firmly embedded in body
- Terminals in individual chambers to positively insulate conductors
- Terminal screws backed out - ready for wiring

Design features for flanged inlets & outlets

- Mounting holes interchangeable with either designs
- Back-wired clamp type terminals

Table 1. Industrial Grade Straight Blade Devices

Catalog No.	Description	Amps	Volts	Color
<input type="checkbox"/> AH5266	Ultra grip plug	15	125	Black & white
<input type="checkbox"/> AH5266BK	Ultra grip plug	15	125	Black
<input type="checkbox"/> AH5269	Ultra grip connector	15	125	Black & white
<input type="checkbox"/> AH5269BK	Ultra grip connector	15	125	Black
<input type="checkbox"/> 5279C	Flanged outlet, back wire, nylon	15	125	Black & white
<input type="checkbox"/> 5278C	Flanged inlet, back wire, nylon	15	125	Black & white
<input type="checkbox"/> AH5666	Ultra grip plug	15	250	Black & white
<input type="checkbox"/> AH5669	Ultra grip connector	15	250	Black & white
<input type="checkbox"/> 5679C	Flanged outlet, back wire, nylon	15	250	Black & white
<input type="checkbox"/> 5678C	Flanged inlet, back wire, nylon	15	250	Black & white
<input type="checkbox"/> AH5366	Ultra grip plug	20	125	Black & white
<input type="checkbox"/> AH5369	Ultra grip connector	20	125	Black & white
<input type="checkbox"/> AH5466	Ultra grip plug	20	250	Black & white
<input type="checkbox"/> AH5469	Ultra grip connector	20	250	Black & white
<input type="checkbox"/> 5879C	Flanged outlet, back wire, nylon	20	250	Black & white
<input type="checkbox"/> 5878C	Flanged inlet, back wire, nylon	20	250	Black & white

Compliances, specifications and availability are subject to change without notice.



Powering Business Worldwide



CHS Controls AB
 Tel +46 42 38 61 00, Fax +46 42 38 61 29
 chs@chscontrols.se www.chscontrols.se

Project Name:	Prepared By:
Project Number:	Date:
Catalog Number:	Type:

Plugs & Connectors

NEMA 5-15, 6-15, 5-20 & 6-20, 15 & 20A, 125 & 250V/AC, 2P-3W

Table 2. Specifications

Catalog No.	NEMA 5-15, 6-15, 5-20 & 6-20 Plugs & Connectors
NEMA Config	NEMA 5-15, 6-15, 5-20 & 6-20
Wiring Type	Back wire
Environmental Specifications	Flammability: Meets UL94 requirements; V2 rated Temperature Rating: -40°C to 75°C (-40°F to 167°F)
Electrical Specifications	Dielectric Voltage: Twice the device rating + 1000V per UL498 Current Interrupting: Yes, at full-rated current Temperature Rise: Max. 30°C (86°F) after 250 cycles of overload @ 200% of rated current (DC)
Mechanical Specifications	Terminal Accommodation: #16 - #12 AWG Voltage Ratings: Permanently marked on device

Table 3. Materials

Catalog No.	NEMA 5-15, 6-15, 5-20 & 6-20 Plugs & Connectors
NEMA Config	NEMA 5-15, 6-15, 5-20 & 6-20
Outer Shell	Nylon
Interior Body	Nylon
Terminal Retainer	Polycarbonate
Blades	0.062" thick brass
Line Contacts	0.031" thick brass
Terminal Clamps	Steel, zinc plated
Terminal Screws	#8-32 steel, brass plated (hot) and nickel plated (neutral)
Ground Contact	0.041" thick brass
Ground Screw	#8-32 steel, zinc plated (green)
Assembly/ Mounting Screws	Steel, nickel plated
Cord Clamp	Nylon
Cord Clamp Screws	Steel
Gasket/Dust Shield	EPDM

Product Dimensions

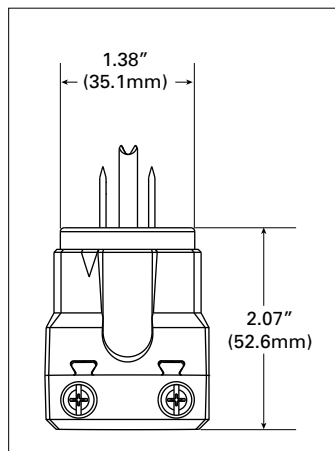


Figure 1. AHL5266

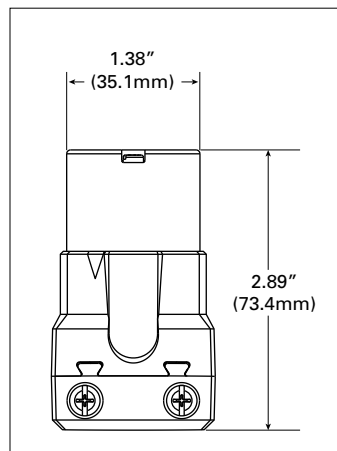


Figure 2. AH5269

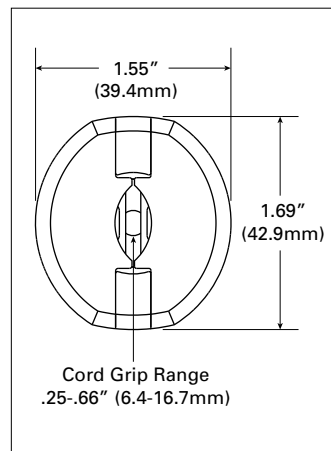


Figure 3. Base Angle

Compliances, specifications and availability are subject to change without notice.

Project Name:	Prepared By:
Project Number:	Date:
Catalog Number:	Type:

Flanged Outlets & Inlets

NEMA 5-15, 6-15, 5-20 & 6-20, 15 & 20A, 125 & 250V/AC, 2P-3W

Table 4. Specifications

Catalog No.	NEMA 5-15, 6-15, 5-20 & 6-20 Flanged Outlets	NEMA 5-15, 6-15, 5-20 & 6-20 Flanged Inlets
NEMA Config	NEMA 5-15, 6-15, 5-20 & 6-20	NEMA 5-15, 6-15, 5-20 & 6-20
Wiring Type	Side wire	Side wire
Environmental Specifications	Flammability: Meets UL94 requirements; V2 rated Temperature Rating: -40°C to 105°C (-40°F to 221°F)	Flammability: Meets UL94 requirements; V2 rated Temperature Rating: -40°C to 105°C (-40°F to 221°F)
Electrical Specifications	Dielectric Voltage: Twice the device rating + 1000V per UL498 Current Interrupting: Yes, at full-rated current Temperature Rise: Max. 30°C (86°F) after 50 cycles of overload @ 150% of rated current (DC)	Dielectric Voltage: Twice the device rating + 1000V per UL498 Current Interrupting: Yes, at full-rated current Temperature Rise: Max. 30°C (86°F) at maximum rated current (DC)
Mechanical Specifications	Terminal Accommodation: #14 AWG Voltage Ratings: Permanently marked on device	Terminal Accommodation: #14 AWG Voltage Ratings: Permanently marked on device

Table 5. Materials

Catalog No.	NEMA 5-15, 6-15, 5-20 & 6-20 Flanged Outlets	NEMA 5-15, 6-15, 5-20 & 6-20 Flanged Inlets
NEMA Config	NEMA 5-15, 6-15, 5-20 & 6-20	NEMA 5-15, 6-15, 5-20 & 6-20
Outer Shell	Nylon (except 5246, steel)	Nylon (except 5278, brass)
Interior Body	Nylon	Nylon (except 5278, urea)
Terminal Retainer	Lexan (except 5246, nylon)	Lexan (except 5278, urea)
Blades	N/A	0.062" thick brass
Line Contacts	0.031" thick brass	N/A
Terminal Clamps	Steel	Steel
Terminal Screws	#8-32 steel (except 5246, brass)	#8-32 steel (except 5278, #8-32 brass)
Ground Screw	#8-32 steel (green)	#8-32 steel (except 5278, #8-32 brass)
Assembly Screws/Rivets	Steel screws (except 5246, steel rivets)	Steel screws (except 5278, steel rivets, zinc plated)

Product Dimensions

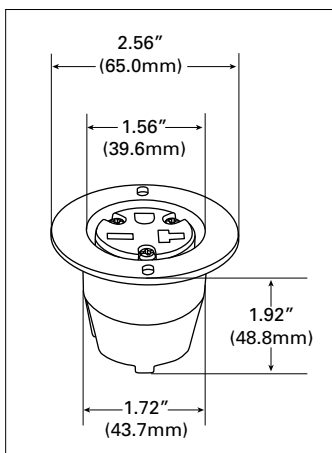


Figure 4. 5879C

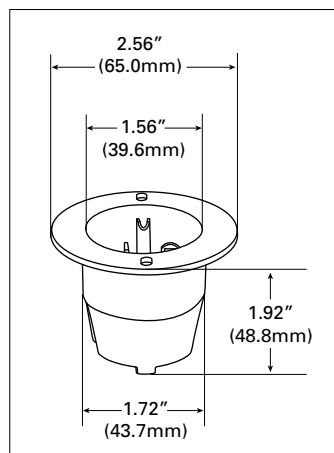


Figure 5. 5878C

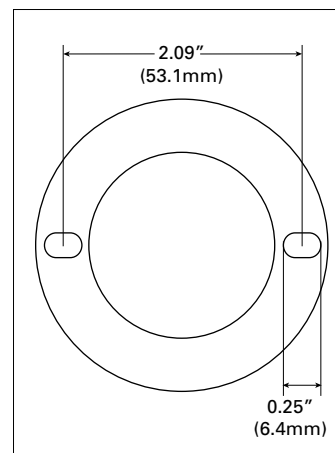








Figure 6. Nylon Top View


Compliances, specifications and availability are subject to change without notice.

Project Name:	Prepared By:
Project Number:	Date:
Catalog Number:	Type:

Certifications & Compliances

Catalog No.						
AH5266	•	•	•	•	•	•
AH5266BK	•	•	•	•	•	•
AH5269	•	•	•	•	•	•
AH5269BK	•	•	•	•	•	•
5279C		•		•	•	•
5278C	•	•	•	•	•	•
AH5666	•	•	•	•	•	•
AH5669	•	•	•	•	•	•
5679C		•		•	•	•
5678C	•	•	•	•	•	•
AH5366	•	•	•	•	•	•
AH5369	•	•	•	•	•	•
AH5466	•	•	•	•	•	•
AH5469	•	•	•	•	•	•
5879C		•		•	•	•
5878C	•	•	•	•	•	•

KEY:  cULus  UL  Fed Spec  NAFTA  ROHS  CSA

 Parts are manufactured and designed in accordance with article 4 of the European Union's RoHS2 directive 2011/65/EU

Compliances, specifications and availability are subject to change without notice.

Electrical Sector
203 Cooper Circle
Peachtree City, GA 30269
United States
Eaton.com
Eaton.com/wiringdevices

Electrical Sector
Canada Operations
5925 McLaughlin Road
Mississauga, Ontario, L5R 1B8
Canada
EatonCanada.ca
Eaton.com/wiringdevices

Electrical Sector
Mexico Operations
Carr. Tlalnepantla -
Cuautitlan Km 17.8 s/n
Col. Villa Jardin esq.
Cerrada 8 de Mayo
Cuautitlan, Mexico CP 54800
Mexico
Eaton.mx
Eaton.com/wiringdevices