

# EX - PLUGS AND RECEPTACLES

10 A to 125 A  
plugs and receptacles plastic version for zone 1, 2, 21 and 22

## 1 A good connection

Providing electrical energy there, where it is most needed – even in hazardous areas for the Zones 1, 2, 21 and 22.

Non-stationary electrical apparatus have generally high requirements on the energy/power supply. Robust plugs and receptacles as well as a high chemical resistance are at the first glance very important. Electrical reliability is a must not only for all connectivity products.

A high safety standard, a steady hold and faultless contacting even under vibration or the effects of an aggressive atmospheric environment are the basis for a secure and reliable utilisation.

CEAG plugs and receptacles offer more, apart from the proven technology, this product series is defined by its innovative details. For example, the very efficient cable strain relief or the new coding system of the various versions offers different solutions for a secure and problem free utilization in all areas.

Just to round the product off, the user in the normal industrial sector becomes exactly the same product advantages. Robust industrial versions fulfil all requirements appertaining to mechanical and chemical durability. For the stationary repair power supplying in hazardous explosive areas, there is a specially conceived version available that fulfils all the necessary safety requirements. Used in a module sense, individual solutions are no problem at all. The CEAG wall socket for instance can be mounted on to the pre-installed mounting frame without having to use tools – installation without a hot work permit.

Apart from the plugs and receptacles for the European market, we also have plugs and sockets extra for the US market, which are in accordance to all of the necessary standards UL and safety protection systems used there. The available standard range used here, are the 20 A, 30 A, 60 A and 100 A.

### International approvals.

- **Nickel-plated contacts**
- **Low insertion force**
- **Safety standard IP66 applies also in the plugged-in state**
- **Full AC-3 switching ability**
- **Self-cleaning lamellar contacts, low transition resistance**
- **All-pole on/off switching**
- **Easy plugging**



## Ex-plugs and receptacles for extended temperatures: 63 A 4/5-pole up to 690 V



Plug



Wall socket

### Technical data

#### Ex-plugs and receptacles acc. to IEC 60309-1/2 up to 690 V

Marking accd. to 2014/34/EU	⊕ II 2G Ex db eb IIC/IIB T5 Gb ⊕ II 2D Ex tb IIIC T80°C Db
Marking accd. to 2014/34/EU	Ex db eb IIC/IIB T5 Gb Ex tb IIIC T80°C Db
EC-Type Examination Certificate	BVS 17 ATEX E 073 X
IECEx Certificate of Conformity	IECEx BVS 17.0062X
Permissible ambient temperature	-55 °C to + 55 °C <sup>3)</sup>
Rated voltage	690 V AC (4-pole) / 500V AC (5-pole)
Rated current	63 A
Frequency	up to 400 Hz
Rated making / Rated breaking capacity AC-3 accd. EN 60947-3	$U_g$ 690 V / $I_g$ 63 A
External back up fuse	without therm. protection: 63 A with therm. protection: 80 A gG (rated current 63 A set to)
Protection class	I
Degree of protection accd. to EN 60529	IP66
Enclosure colour	black

#### Wall socket

Cable entry/enclosure drilling	1 x M50 cable gland, 1 x M50 plastic Ex-screw plug or 2 x M40 metal thread with plastic Ex-screw plug
Connecting terminals	2 x 4 - 25 mm <sup>2</sup> / with cable lug <sup>1)</sup> 1 x 35 mm <sup>2</sup>
Enclosure material	glass-fibre reinforced polyester

#### Plug

Cable gland	Ø 19 - 34 mm
Connecting terminals	1 x 4 - 16 mm <sup>2</sup> / 1 x 25 mm <sup>2</sup> with pin cable lug <sup>2)</sup>
Enclosure material	Polyamide

<sup>1)</sup> use supplied cable lugs

<sup>2)</sup> see accessories

<sup>3)</sup> Wall socket install protected against higher mechanical risk 4J under -40°C.

Details for used cable glands see pages 2.3.ff

## Ex-plugs and receptacles for extended temperatures: 63 A 4/5-pole up to 690 V



Wall socket



Plug

### Ordering details

Voltage	h	Aux. contact	Cable entry	Type	IIB / IIC low temp -55 °C up to +40/+55 °C	IIC high temp -20 °C up to +55 °C	Weight approx.	Order No.
<b>Type 63 A 4-pole</b>								
200-250 V		-	KU	Wall socket		X	8.1 kg	<b>GHG514 4409 R0001</b>
		-	ME	Wall socket		X	8.2 kg	<b>GHG514 4409 R3001</b>
		-	ME	Wall socket		X	8.2 kg	<b>GHG514 4409 R3101</b>
		9		Plug	X	X	0.9 kg	<b>GHG514 7409 R0001</b>
380-415 V		-	KU	Wall socket		X	8.1 kg	<b>GHG514 4406 R0001</b>
		-	ME	Wall socket		X	8.2 kg	<b>GHG514 4406 R3001</b>
		-	ME	Wall socket		X	8.2 kg	<b>GHG514 4406 R3101</b>
		-	GM	Wall socket		X	8.2 kg	<b>GHG514 4406 R3003</b>
		-	GM	Wall socket		X	8.2 kg	<b>GHG514 4406 R3103</b>
				Plug	X	X	0.9 kg	<b>GHG514 7406 R0001</b>
480-500 V		-	KU	Wall socket		X	8.1 kg	<b>GHG514 4407 R0001</b>
		-	ME	Wall socket		X	8.2 kg	<b>GHG514 4407 R3001</b>
		-	ME	Wall socket		X	8.2 kg	<b>GHG514 4407 R3101</b>
		-	GM	Wall socket		X	8.2 kg	<b>GHG514 4407 R3003</b>
		-	GM	Wall socket		X	8.2 kg	<b>GHG514 4407 R3103</b>
				Plug	X	X	0.9 kg	<b>GHG514 7407 R0001</b>
600-690 V		-	KU	Wall socket		X	8.1 kg	<b>GHG514 4405 R0001</b>
		-	ME	Wall socket		X	8.2 kg	<b>GHG514 4405 R3002</b>
		-	ME	Wall socket		X	8.2 kg	<b>GHG514 4405 R3102</b>
		5		Plug	X	X	0.9 kg	<b>GHG514 7405 R0001</b>
		<b>Type 63 A 5-pole</b>						
200-250 V		-	KU	Wall socket		X	8.1 kg	<b>GHG514 4506 R0001</b>
380-415 V		-	ME	Wall socket		X	8.2 kg	<b>GHG514 4506 R3001</b>
		-	ME	Wall socket		X	8.2 kg	<b>GHG514 4506 R3101</b>
		-	GM	Wall socket		X	8.2 kg	<b>GHG514 4506 R3006</b>
		-	GM	Wall socket		X	8.2 kg	<b>GHG514 4506 R3106</b>
				Plug	X	X	0.9 kg	<b>GHG514 7506 R0001</b>

other voltage ranges and versions, e.g. with aux. contact, on request

KU = 1 x plastic cable glands M40 cable gland, 1 x M40 plastic Ex-screw plug

ME = 2 x metal thread M32 with plastic Ex-screw plug

Ex-plugs and receptacles for extended temperatures: 63 A 4/5-pole up to 690 V

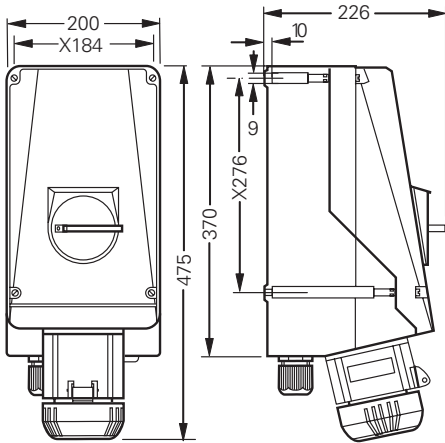


Plug

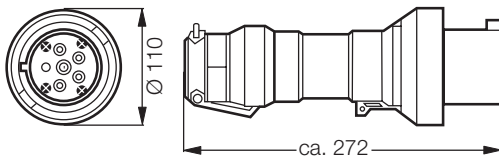


Wall socket

Dimension drawing / wiring diagram



Wall socket 4/5-pole



Plug 4/5-pole

X = fixing dimensions

