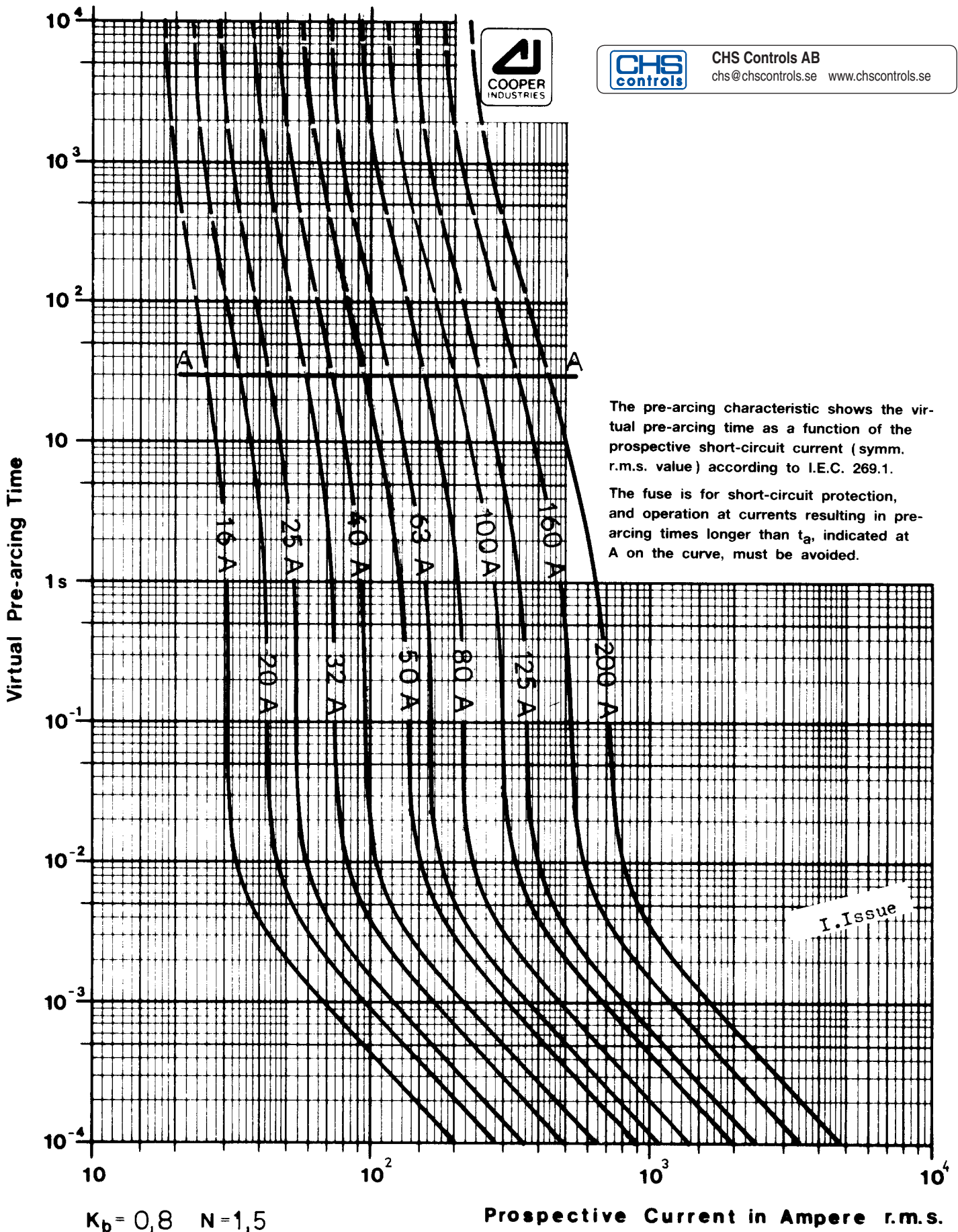




CHS Controls AB
chs@chscontrols.se www.chscontrols.se



I. Issue

BUSSMANN DENMARK

Literbuen 5, DK-2740 Skovlunde, Int tlf (+45) 42 91 99 00, int fax (+45) 42 91 11 51

High Speed Fuse Type DIN 0 660V AC

Type: TYPOWER ZILOX

STANDARD RATINGS

Scale:

Drwg. by: *Anders*

Rev.:

Approved: *[Signature]*

Date: 910524

170K6322

Rated current RMS-value A	Pre-arcing integral (from cold) A ² s	Max. operating I ² t at 660V~ A ² s	Losses at rated current W
16	3,8	25,5	5
20	7,2	48	6
25	11,5	78	7
32	23,5	160	8
40	40	270	9
50	77	515	11
63	115	770	14
80	185	1250	18
100	360	2450	21
125	550	3700	26
160	1100	7500	30
200	2200	15000	35



CHS Controls AB
chs@chscontrols.se www.chscontrols.se

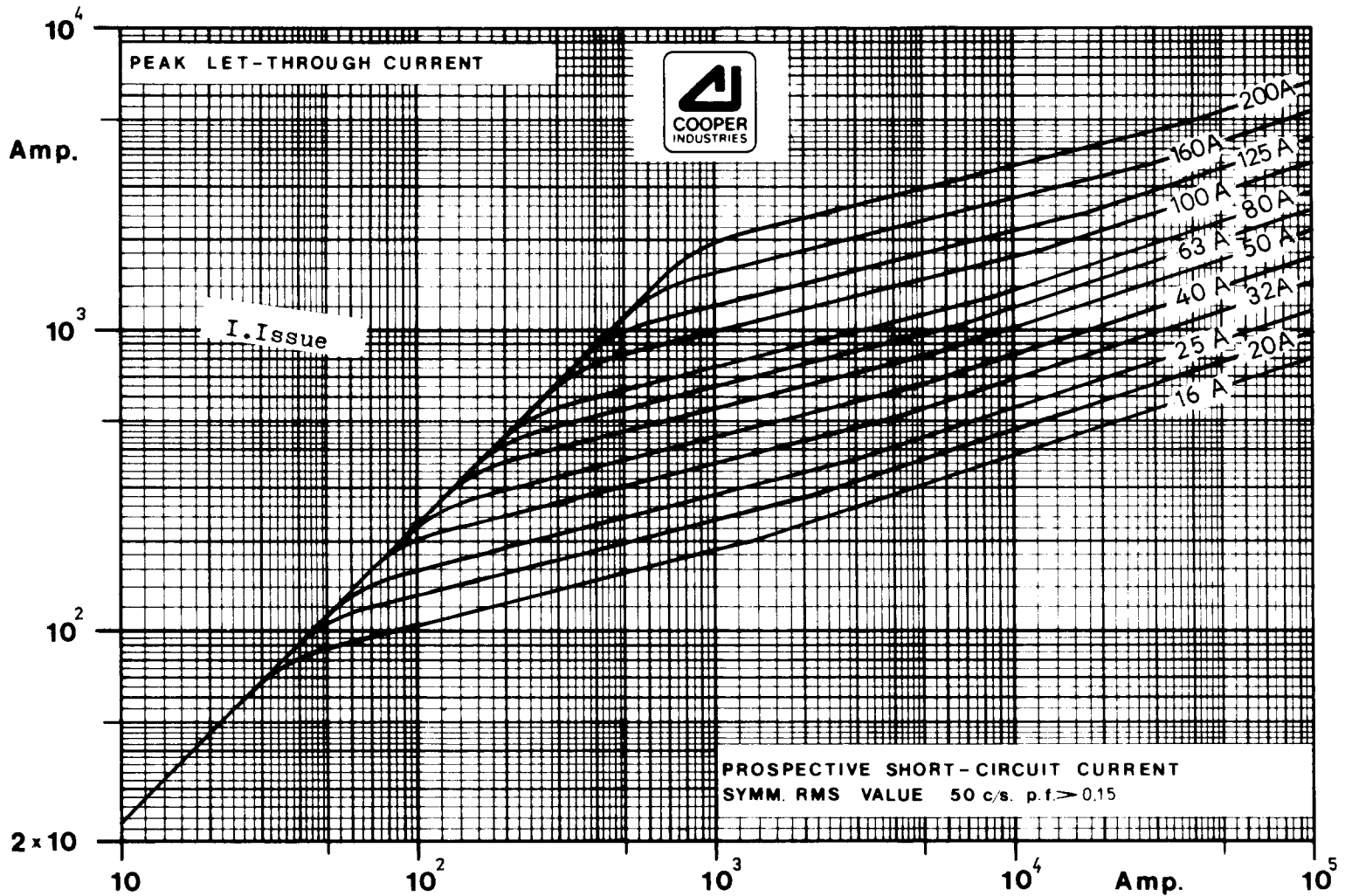
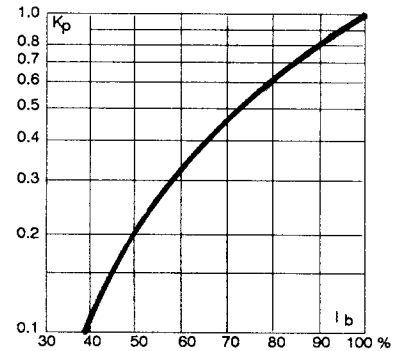
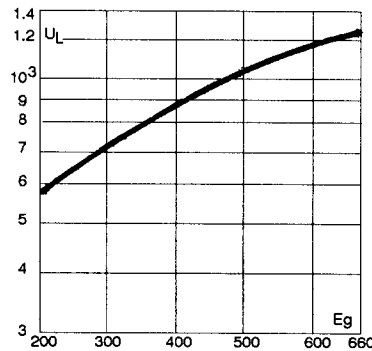
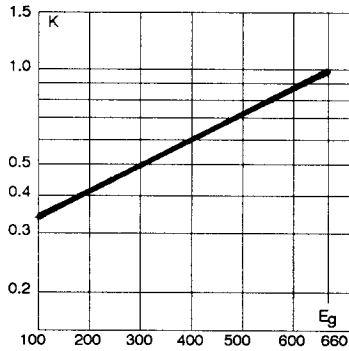
E_g: RMS value of working voltage in V.

K: Correction factor for max. operating I²t

K_p: Correction factor for watt losses

I_b: RMS value of load current in % of rated current

U_L: Max. Arc Voltage in \hat{V}



BUSSMANN DENMARK

Literbuen 5, DK-2740 Skovlunde, Int tlf (+45) 42 91 99 00, int fax (+45) 42 91 11 51

High Speed Fuse Type DIN 0 660V AC

Type: TYPOWER ZILOX

STANDARD RATINGS

Scale:

Drwg. by: *Autun*

Rev.:

Approved: *[Signature]*

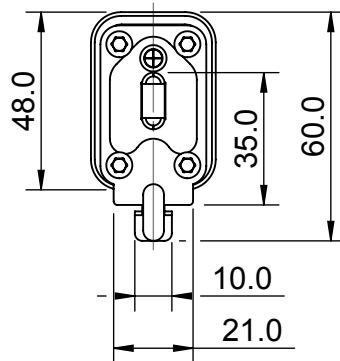
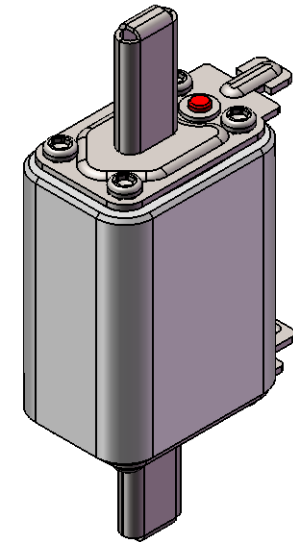
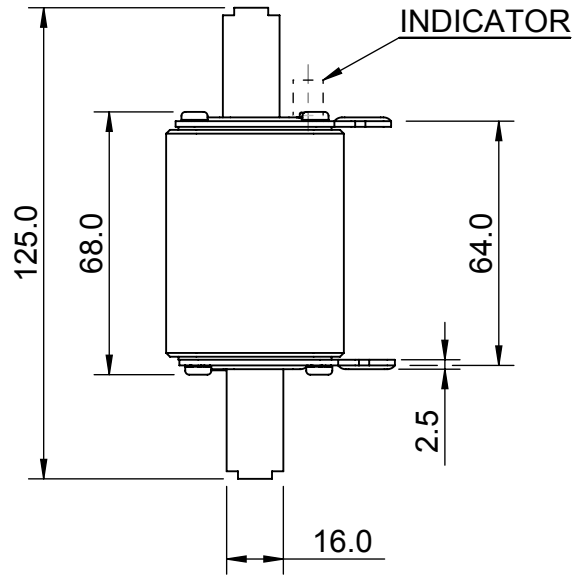
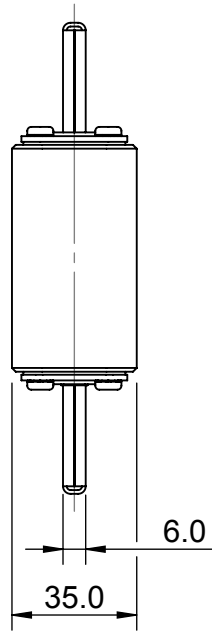
Date: 910524

170K6323

33.0118 D

REVISION

REV	DESCRIPTION	BY	DATE	CHANGE NO.
A	REDRAWN IN SW:FIRST ISSUE	JVM	11/05/2010	14008



MODEL SOURCE FILE: U0181	MATERIAL: VARIOUS	<small>UNLESS OTHERWISE SPECIFIED, ALL DIMENSIONS ARE IN MILLIMETERS.</small> TOLERANCES UNLESS OTHERWISE SPECIFIED: GENERAL ± 0.2mm ANGULAR ± 1°
	FINISH: NONE	
	SURFACE AREA: VARIOUSmm²	
	VOLUME: 62768.01mm³ MASS: 109.81g	

		<small>COOPER Bussmann (UK) Ltd Burton-on-the-Wolds, Leics LE12 5TH Tel +44 1509 882 600 Fax +44 1509 882786 COOPER Bussmann (Denmark) Lillerbuen 5, DK 2740 Skovlunde Tel +45 4485 0919 Fax +45 4485 0906</small>	
TITLE: HRC CARTRIDGE FUSE LINK SIZE 0 TO DIN 43620			
DWG NO: 171X0002		ANGLE: FIRST	REV: A
DRAWN BY: KVS	CHECKED BY: JM	DATE: 08/04/09	SCALE: NTS
SIZE: A4	SHEET: 1 OF 1		



CHS Controls AB
 chs@chscontrols.se www.chscontrols.se