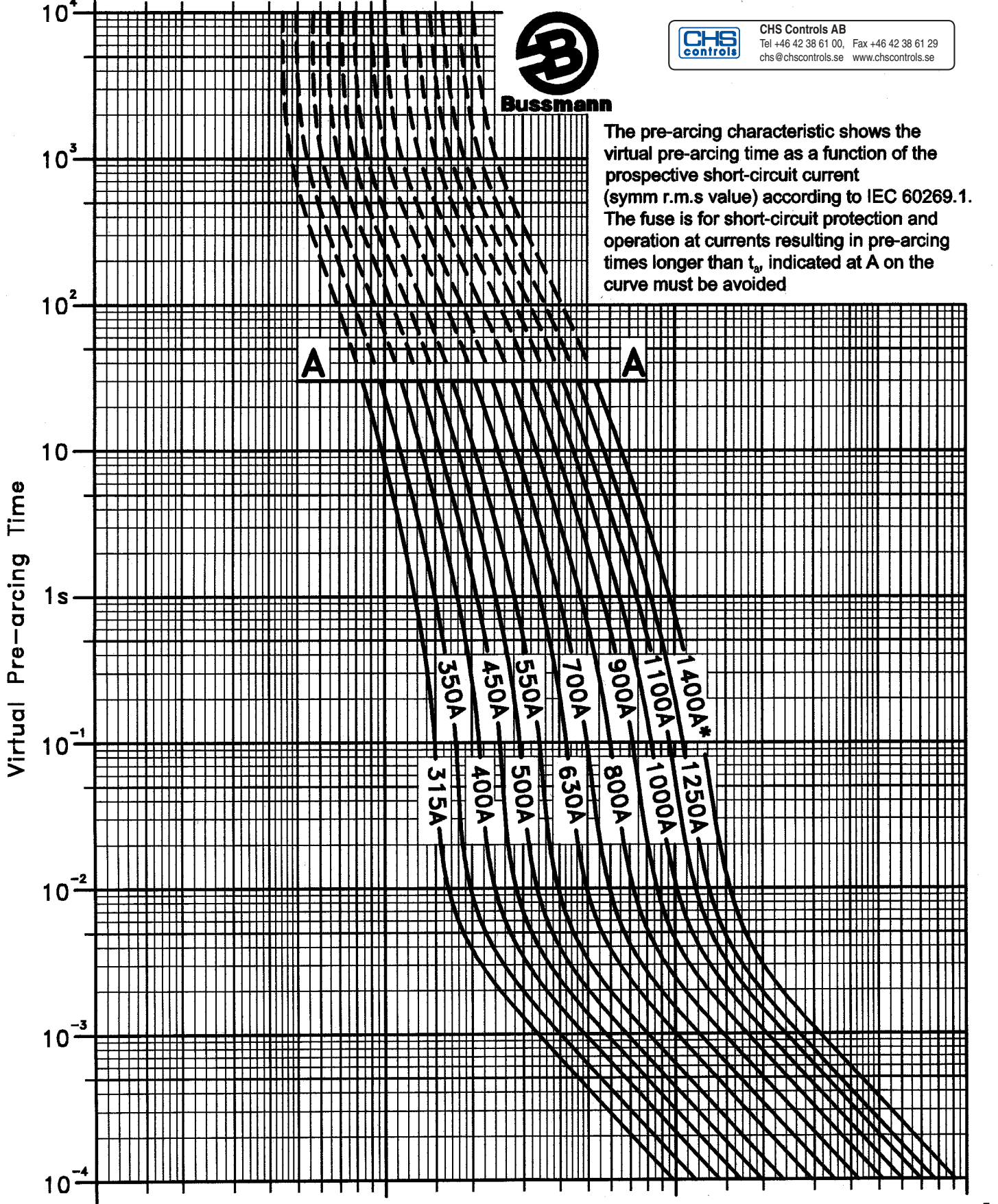




The pre-arcing characteristic shows the virtual pre-arcing time as a function of the prospective short-circuit current (symm r.m.s value) according to IEC 60269.1. The fuse is for short-circuit protection and operation at currents resulting in pre-arcing times longer than  $t_a$ , indicated at A on the curve must be avoided



$K_b = 1$   $N = 1,6$

\*RATED VOLTAGE: 900V

Prospective Current in Ampere r.m.s.

<b>BUSSMANN DENMARK</b> Literbuen 5, DK-2740 Skovlunde, Int tlf (+45) 44 85 09 20, Int fax (+45) 44 85 09 02	
High Speed Fuses Size 3 1000V AC	Scale: - -
Type: TYPower ZILOX	Drwg.by: UBC
STANDARD RATINGS	Rev.:
	Approved: PK
	Date: 990804

170K8570

Rated current RMS-value A	Pre-arcing integral (from cold) A <sup>2</sup> s	Max. operating I <sup>2</sup> t at 1000V~ A <sup>2</sup> s	Losses at rated current W
315	9200	54500	90
350	13000	77500	95
400	19000	115000	105
450	27000	160000	107
500	37500	225000	110
550	52000	310000	115
630	82500	490000	120
700	115000	700000	125
800	170000	1050000	135
900	250000	1500000	145
1000	340000	2050000	150
1100	460000	2750000	155
1250	575000	3400000	175
1400	795000	4200000*	185

E<sub>g</sub>: RMS value of working voltage in V

K: Correction factor for max. operating I<sup>2</sup>t

K<sub>p</sub>: Correction factor for watt losses

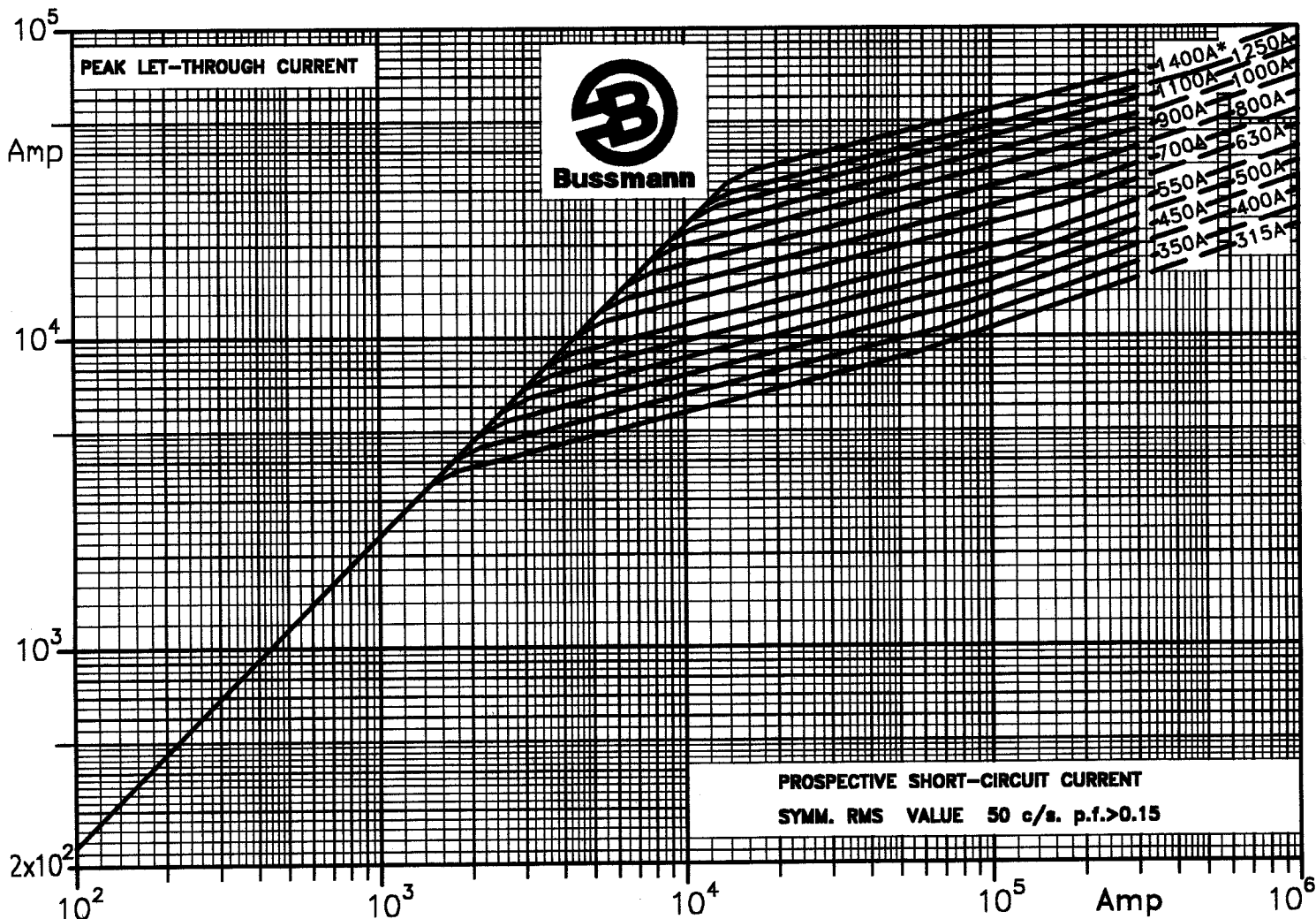
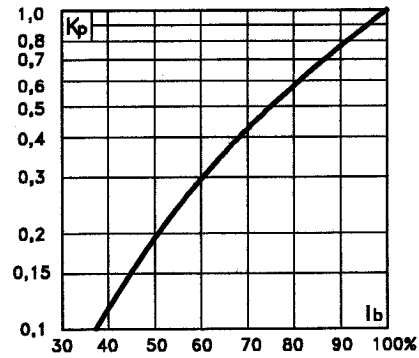
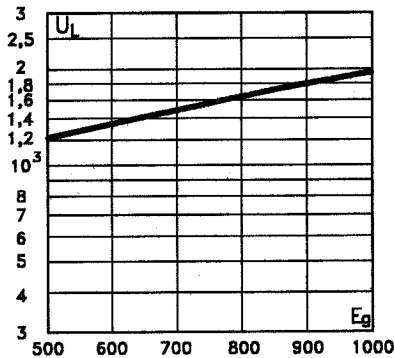
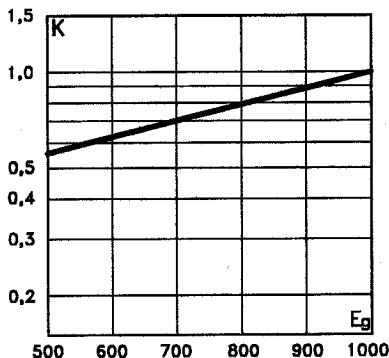
I<sub>b</sub>: RMS value of load current in % of rated current

U<sub>L</sub>: Max Arc Voltage in V̂



CHS Controls AB  
Tel +46 42 38 61 00, Fax +46 42 38 61 29  
chs@chscontrols.se www.chscontrols.se

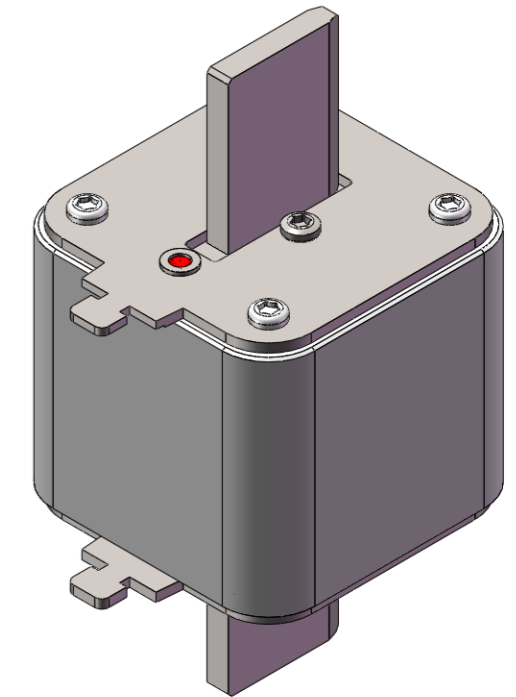
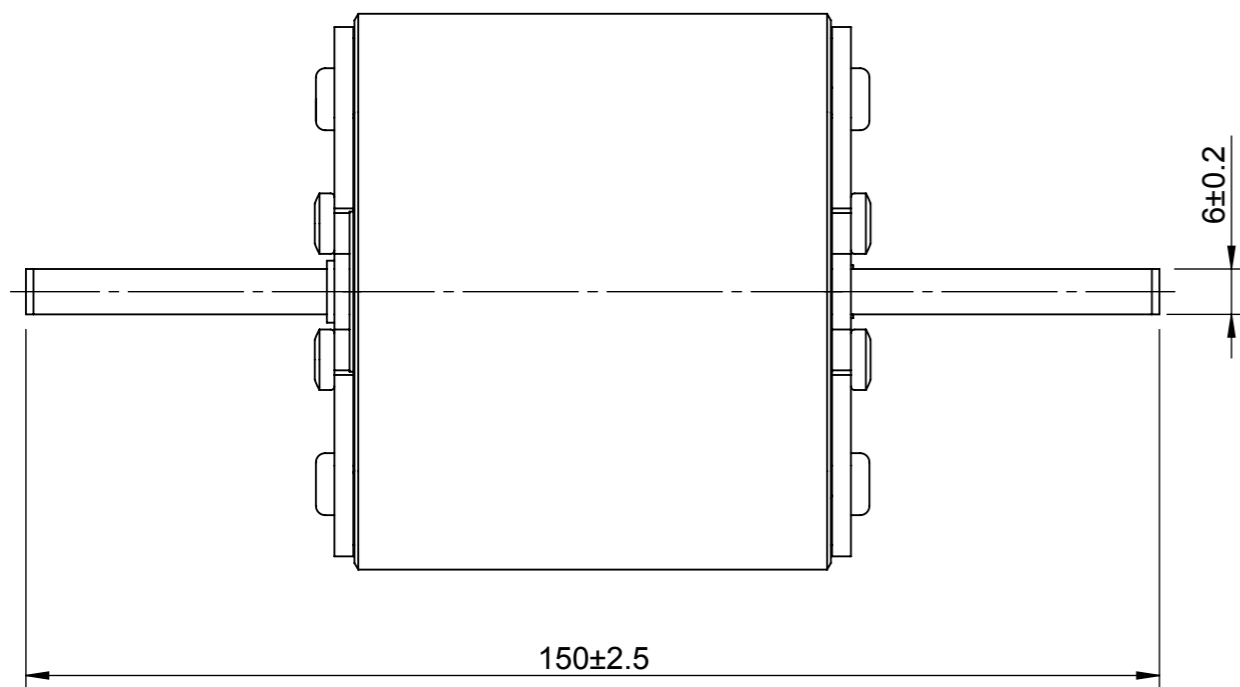
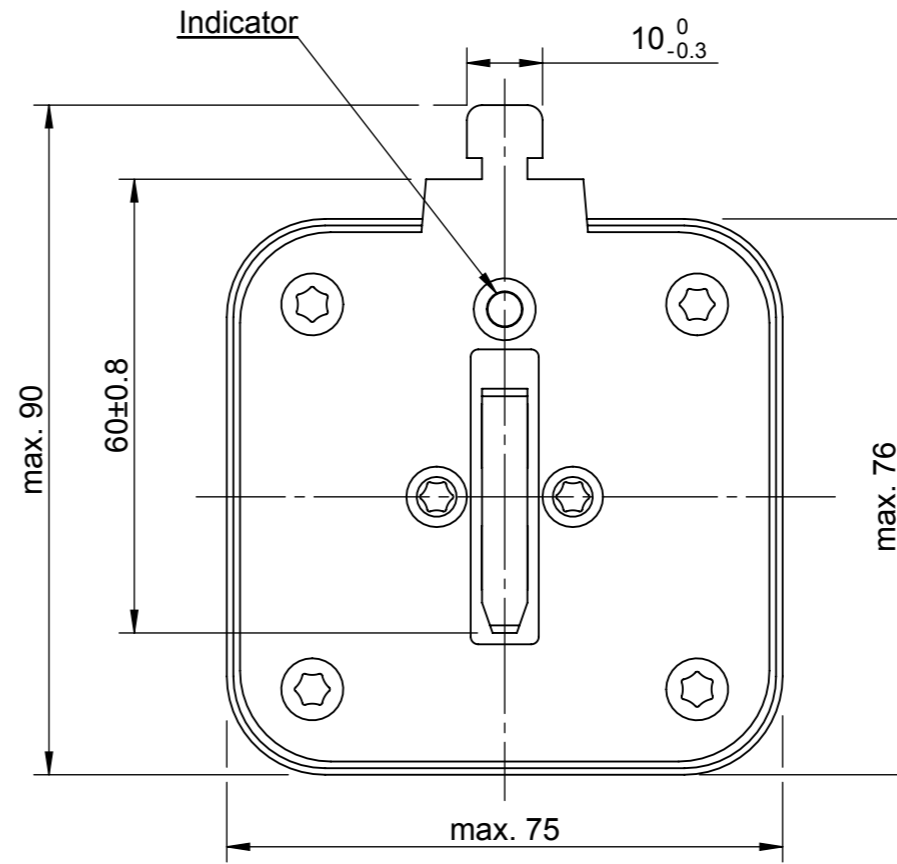
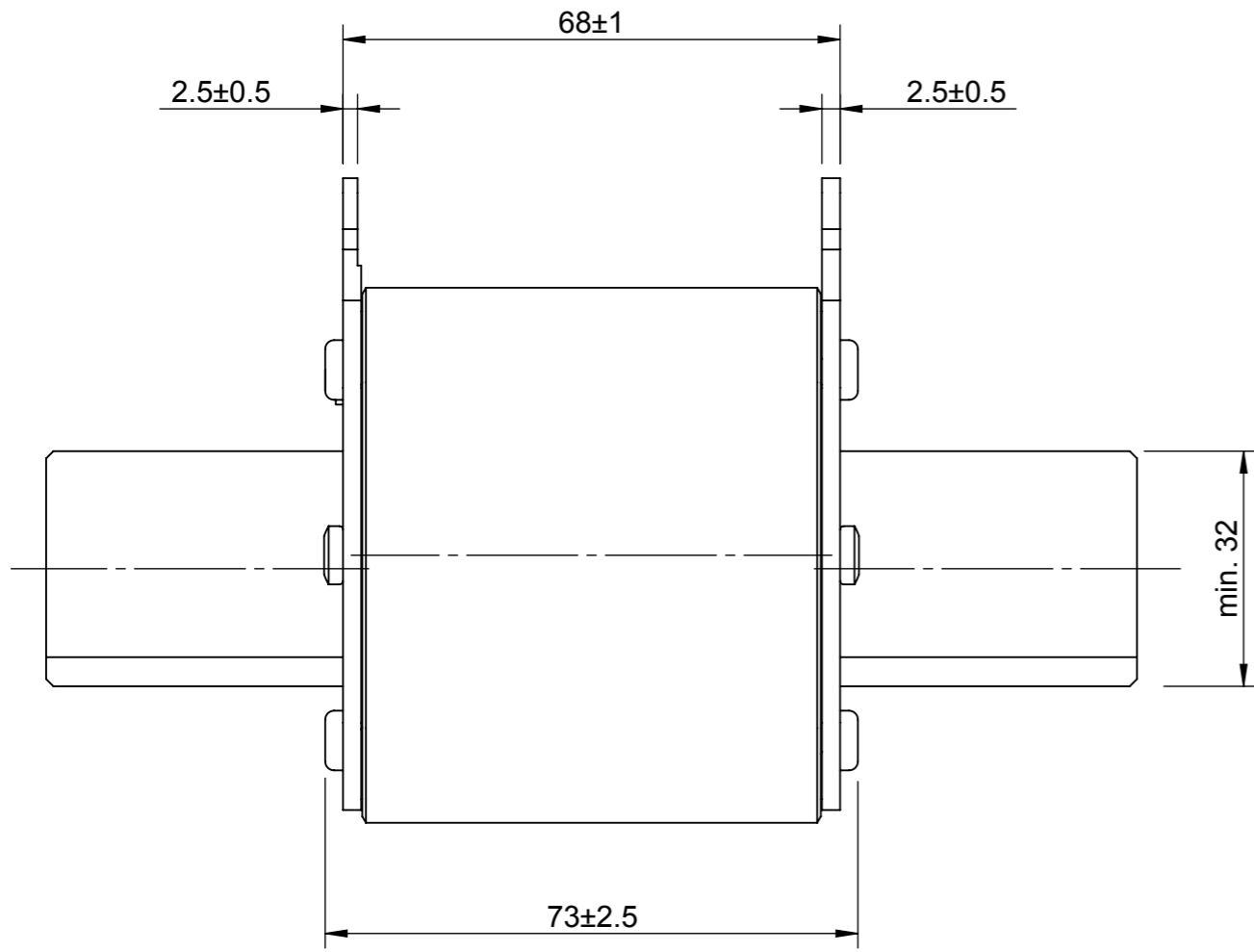
\*RATED VOLTAGE: 900V



<b>BUSSMANN DENMARK</b> Lillerbuen 5, DK-2740 Skovlunde, Int tlf (+45) 44 85 09 20, Int fax (+45) 44 85 09 02		
High Speed Fuses Size 3 1000V AC	Scale: --	<b>170K8571</b>
Type: TYPOWER ZILOX	Drwg.by: UBC	
STANDARD RATINGS	Rev.:	
	Approved: PR [Signature]	
	Date: 990804	

REVISION

REV	DESCRIPTION	BY	DATE	CHANGE NO.
C	DRAWING UPDATED WITH EATON TEMPLATE	EDK	04/01/2017	BUEI4519



**CHS controls**  
 CHS Controls AB  
 Tel +46 42 38 61 00, Fax +46 42 38 61 29  
 chs@chscontrols.se www.chscontrols.se

MODEL SOURCE FILE: <b>U1324</b>	UNLESS OTHERWISE SPECIFIED, ALL DIMENSIONS ARE IN MILLIMETERS.  TOLERANCES UNLESS OTHERWISE SPECIFIED: GENERAL ± 0.2mm ANGULAR ± 1°	TITLE <b>HIGH SPEED FUSES DIN 3</b>				 Powering Business Worldwide	
	UNCONTROLLED COPY	DRAWN BY: <b>JVM</b>	DATE: <b>08/05/2010</b>	SCALE: <b>NTS</b>	ANGLE: <b>FIRST</b>	SIZE: <b>A3</b>	
	THIS DRAWING IS CONFIDENTIAL AND THE COPYRIGHT OF EATON AND MUST NOT BE COPIED OR PASSED ON TO A THIRD PARTY WITHOUT WRITTEN CONSENT	MATERIAL: <b>VARIOUS</b>		FINISH: <b>NONE</b>		EATON Burton-on-the-Wolds, Leics, LE12 5TH Tel +44 1509 882 600	
DWG NO: <b>171X0016</b>						REV: <b>C</b>	SHEET: <b>1 OF 1</b>