

1. Issue.

BUSSMANN DENMARK Literbuen 5, DK-2740 Skovlunde, Int tlf (+45) 42 91 99 00, int fax (+45) 42 91 11 51		Scale:	
High Speed Fuse Size 1	1250V AC	Drwg. by: <i>Arthur</i>	170K6632
Type: TYPOWER	ZILOX	Rev.:	
STANDARD RATINGS		Approved: <i>[Signature]</i>	
		Date: 911030	

33.110 G

Rated current RMS-value A	Pre-arcing integral (from cold) A ² s	Max. operating I ² t at 1000V~ A ² s	Max. operating I ² t at 1250V~ A ² s	Losses at rated current W
160	1 900	11 500	15 500	45
200	3 800	22 500	30 000	50
250	7 750	46 000	61 500	60
315	15 000	90 000	120 000	65
350	20 000	125 000	165 000	70
400	29 500	175 000	235 000	75
450	42 000	250 000	335 000	80
500	69 500	340 000	435 000 ^o	85
550	95 000	465 000	590 000 ^o	95
^a 630	130 000	660 000	—	110

For fuses with rated current ≤ 450 A use correction curve marked b).

For fuses with rated current ≥ 500 A use correction curve marked c).

E_g: RMS value of working voltage in V.

K: Correction factor for max. operating I²t

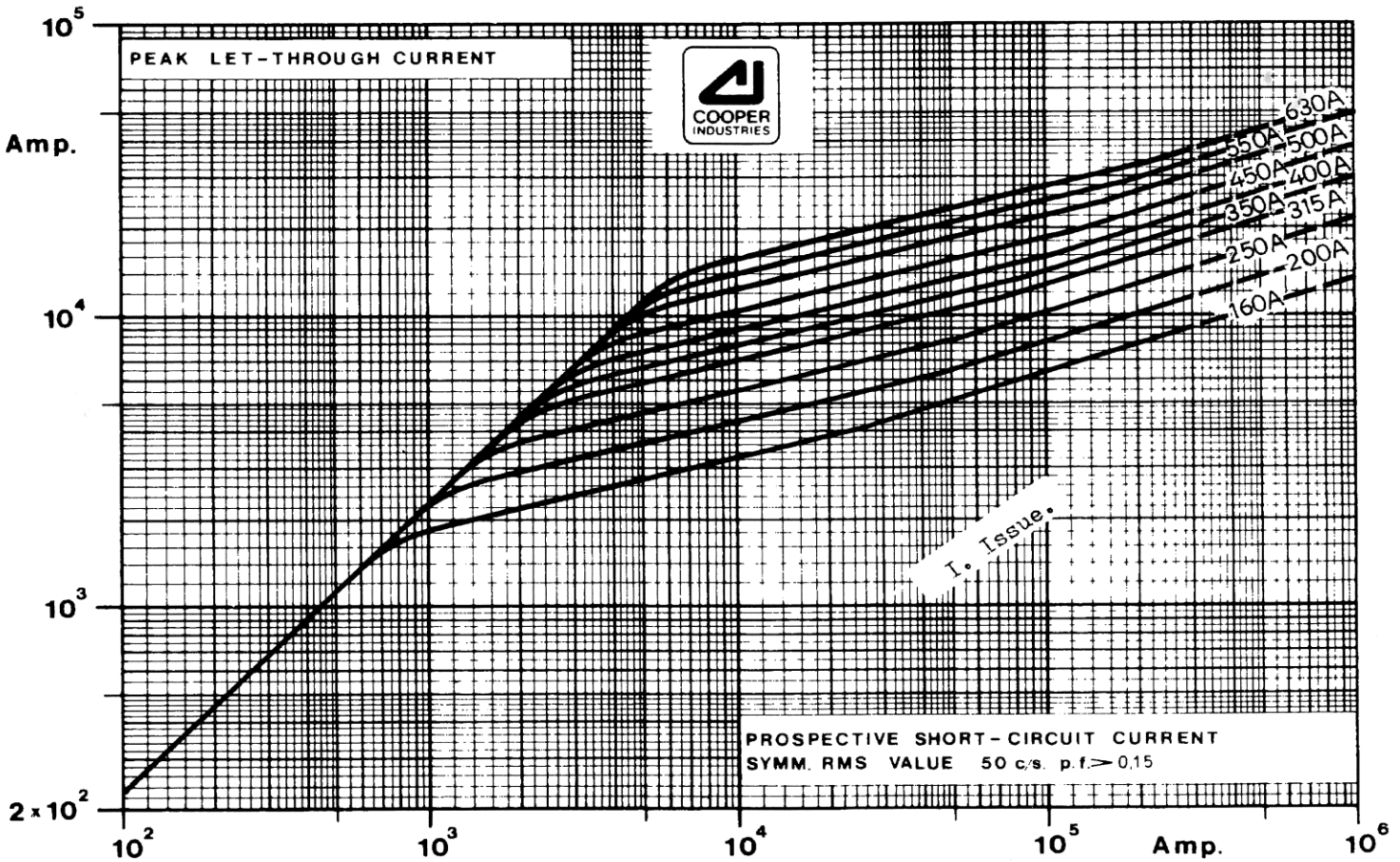
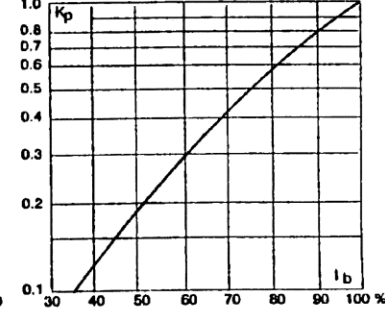
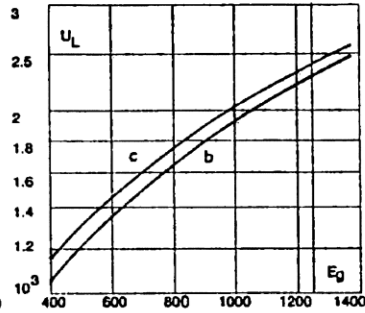
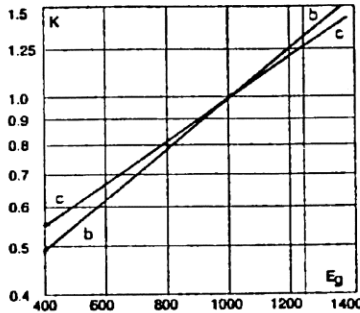
K_p: Correction factor for watt losses

I_b: RMS value of load current in % of rated current

U_L: Max. Arc Voltage in V̂

^a) Voltage derated

^o) Voltage derating in certain versions



BUSSMANN DENMARK

Literbuen 5, DK-2740 Skovlunde, Int tlf (+45) 42 91 99 00, int fax (+45) 42 91 11 51

High Speed Fuse Size 1 1250V AC

Type: TYPOWER ZILOX

STANDARD RATINGS

Scale:

Drwg. by: *Anders*

Rev.: 9213M

Approved: *[Signature]*

Date: 911030

170K6633

33.0118 D

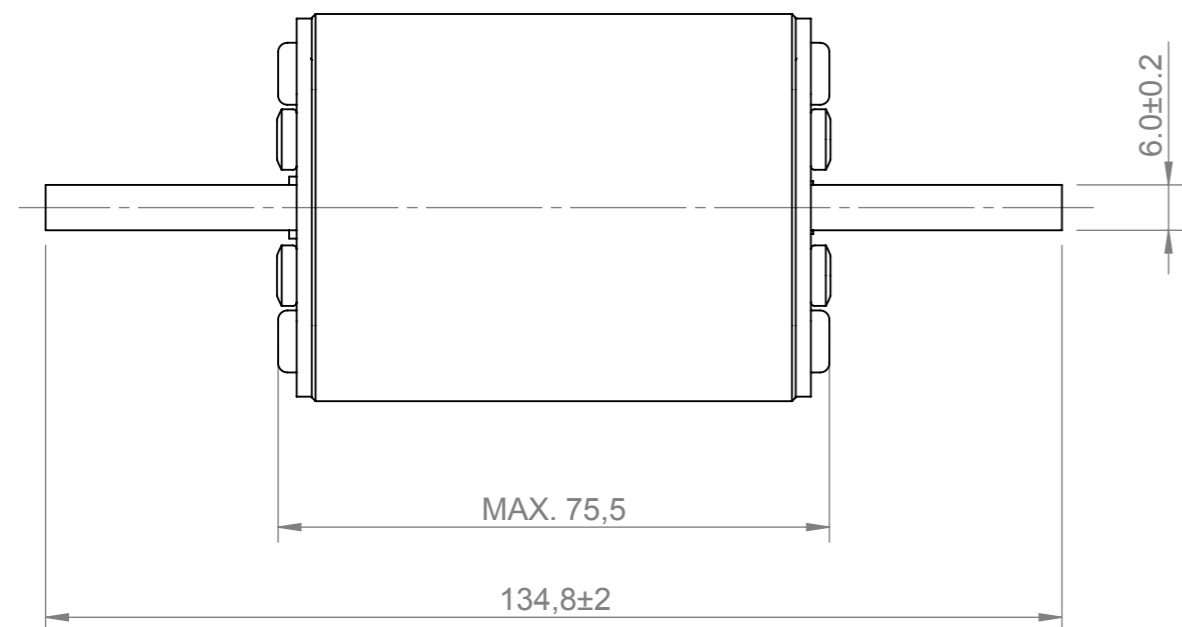
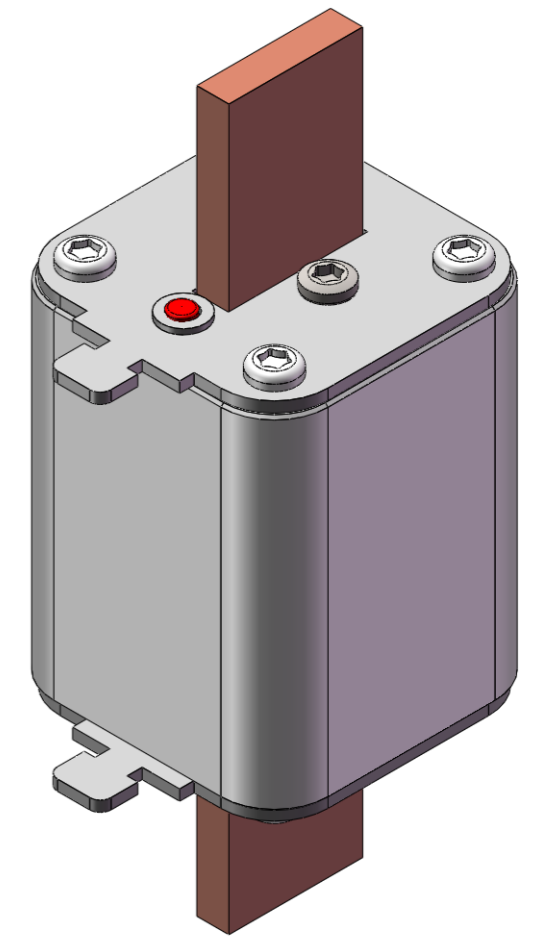
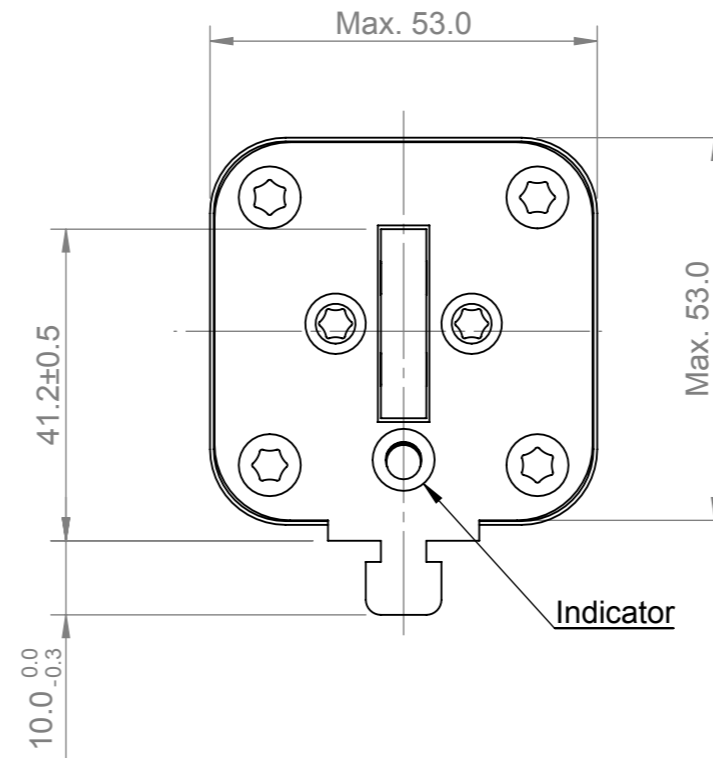
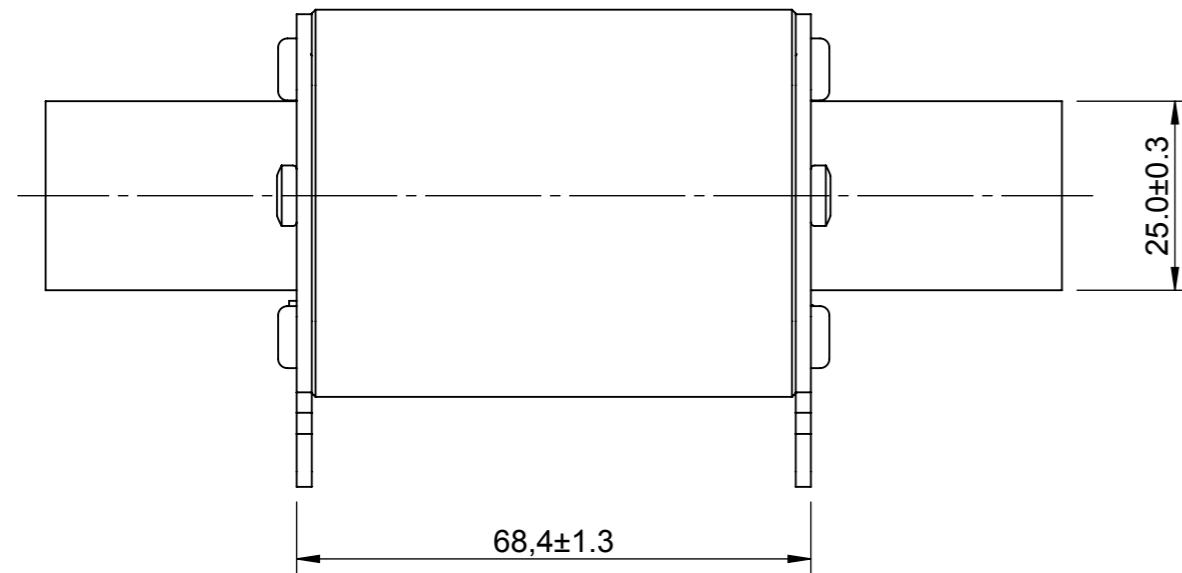



CHS Controls AB
Tel +46 42 38 61 00, Fax +46 42 38 61 29
chs@chscontrols.se www.chscontrols.se

REVISION

REV	DESCRIPTION	BY	DATE	CHANGE NO.
B	Added tolerances	ZSZ	22/07/13	BUEH0785

TYPE 1SHT



MODEL VERSION: U0417	MATERIAL: VARIOUS	UNLESS OTHERWISE SPECIFIED, ALL DIMENSIONS ARE IN MILLIMETERS. TOLERANCES UNLESS OTHERWISE SPECIFIED: GENERAL ± 0.2mm ANGULAR ± 1°	 COOPER Bussmann (UK) Ltd Burton-on-the-Wolds, Leics, LE12 5TH Tel +44 1509 882 600 Fax +44 1509 882786		
	FINISH: NONE	UNCONTROLLED COPY	TITLE: HIGH SPEED FUSES SIZE 1 WITH TOP INDICATOR AND FOR FUSEHANDLE		
	SURFACE AREA: VARIOUSmm²	THIS DRAWING IS CONFIDENTIAL AND THE COPYRIGHT OF COOPER BUSSMANN AND MUST NOT BE COPIED OR PASSED ON TO A THIRD PARTY WITHOUT WRITTEN CONSENT	DWG NO: 170X0553	ANGLE: FIRST	REV: B
	VOLUME: 113480.17mm³		DRAWN BY: NS	CHECKED BY: TJ	DATE: 10/04/09
MASS: 267.33g			SIZE: A3	SHEET: 1 OF 1	

 **CHS Controls AB**
Tel +46 42 38 61 00, Fax +46 42 38 61 29
chs@chscontrols.se www.chscontrols.se

Drawing template A3 : Rev 4