

Bussmann series NH Battery storage fuse links



Bolted fuses



Bladed fuses

Product description

Eaton's Bussmann® series NH battery storage-fuses are specifically designed to protect and isolate battery array combiners and disconnects. These fuse links are capable of interrupting low overcurrents associated with faulted battery storage systems (reverse current, multi-array fault).

Standard features

- Compact design
- Low power loss
- Global accreditations
- Dual indicator feature
- Variation of fixing options
- Compatible with Bussmann series NH bases (see data sheet 720136)

EATON

Powering Business Worldwide

Catalogue symbol

- Knife blade fuse link:BSF-(amps)G-NH(NH body size)10
- Bolted blade fuse link:BSF-(amps)G-NH(NH body size)10-B

For example catalogue number **BSF-200G-NH110** represents a **B**attery **S**torage **F**use, rated at **200 A**, **G** operating class gBat, **NH** fuse type, NH fuse body size **1**, rated at **1000 V d.c.**, Knife blade

Technical data

- Rated voltage: 1000 V d.c.
- Rated current: 63 to 400 A
- Fuse body size: 1, 2 or 3
- Operating class: gBat proposed for full range fuse links for protection of battery storage systems
- Breaking capacity: 100 kA
- Time constant: 4.5 ms at 100 kA
- ROHS and Reach compliant

Standards/Approvals

- IEC 60269-7 for battery storage fuse links is under preparation (expected publication in 2020)

Microswitches (ordered separately, only for use with bladed version)

- 170H0236
- 170H0238

Fuse holders (ordered separately, only for use with bladed version)

- SD1-D-PV
- SD2-D-PV
- SD3-D-PV

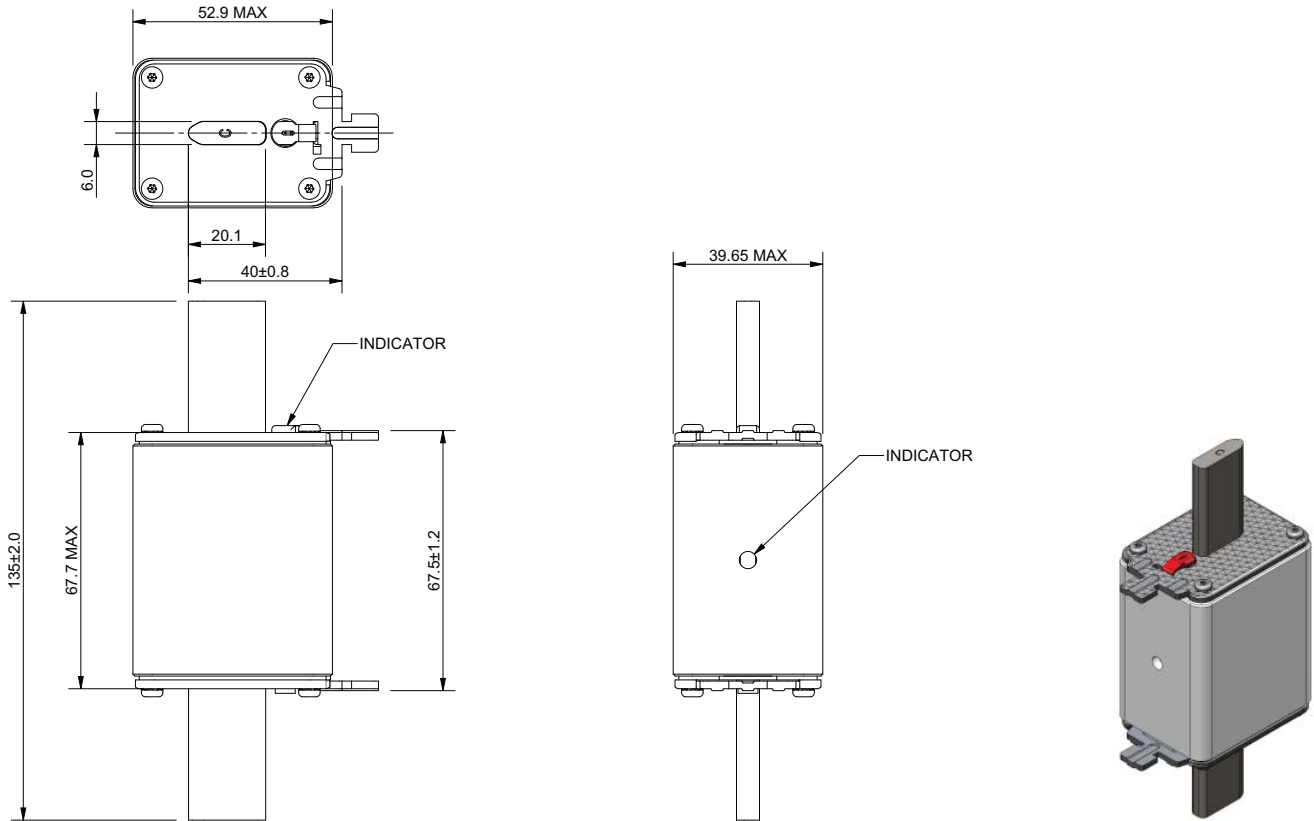
Packaging

- 3 in a pack

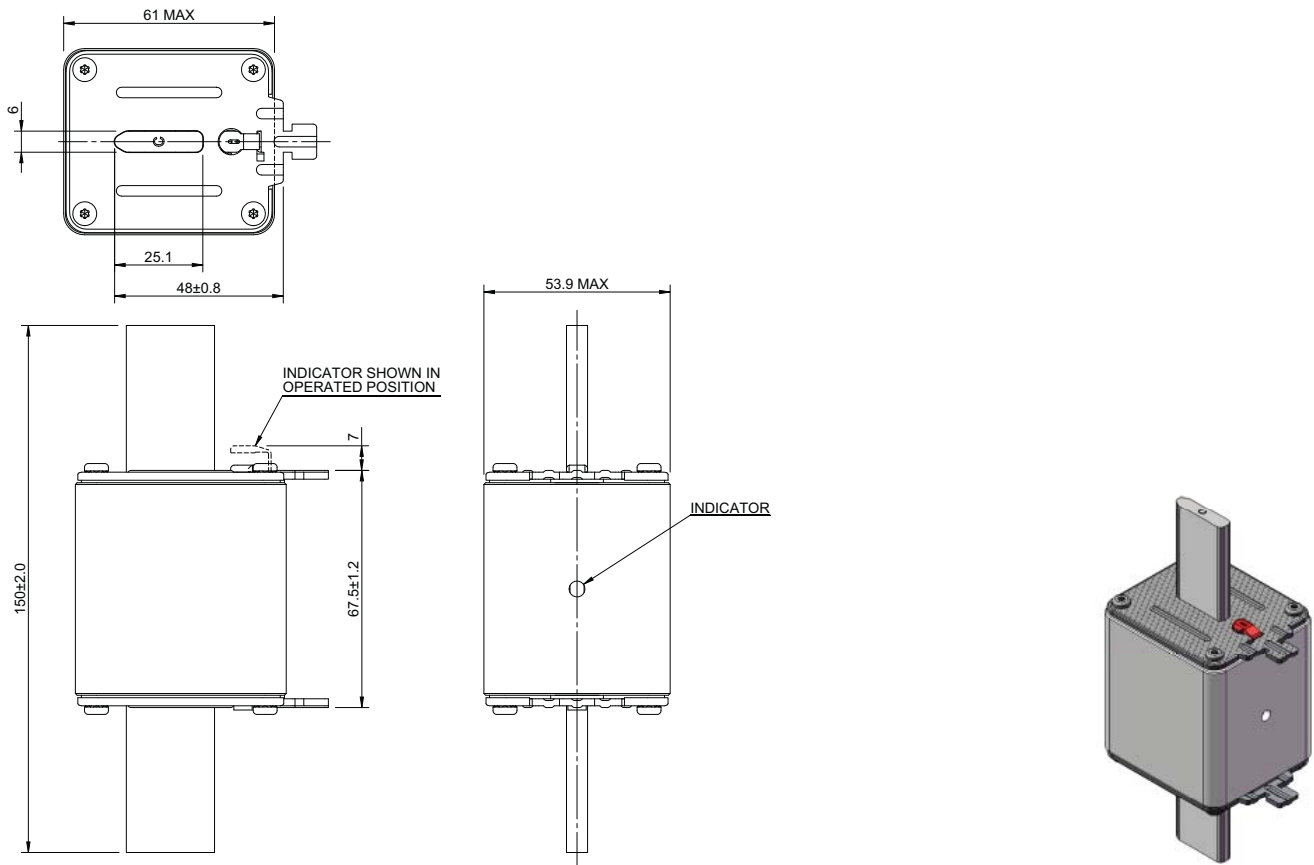
Technical data

Catalogue number with knife blade	Catalogue number with bolted blade	Fuse body size	Rated current (Amps)	Rated voltage (V d.c.)	Pre-arcing I ² t	Total I ² t @ 1000 V d.c.	Power loss at 0.7 x I _n (W)	Power loss at I _n (W)
BSF-063G-NH110	BSF-063G-NH110-B	1	63	1000	470	4300	5	12
BSF-080G-NH110	BSF-080G-NH110-B	1	80	1000	640	5760	6	15.5
BSF-100G-NH110	BSF-100G-NH110-B	1	100	1000	1300	11,700	7	16.5
BSF-125G-NH110	BSF-125G-NH110-B	1	125	1000	2600	23,400	7	17.5
BSF-160G-NH110	BSF-160G-NH110-B	1	160	1000	5200	46,800	11	27.5
BSF-200G-NH110	BSF-200G-NH110-B	1	200	1000	10,200	82,000	10	25
BSF-160G-NH210	BSF-160G-NH210-B	2	160	1000	4600	37,000	11	28
BSF-200G-NH210	BSF-200G-NH210-B	2	200	1000	9500	76,000	13	32
BSF-250G-NH210	BSF-250G-NH210-B	2	250	1000	17,000	136,000	15	38
BSF-315G-NH310	BSF-315G-NH310-B	3	315	1000	32,000	260,000	18	44
BSF-355G-NH310	BSF-355G-NH310-B	3	355	1000	44,500	370,000	18	46
BSF-400G-NH310	BSF-400G-NH310-B	3	400	1000	67,500	550,000	20	50

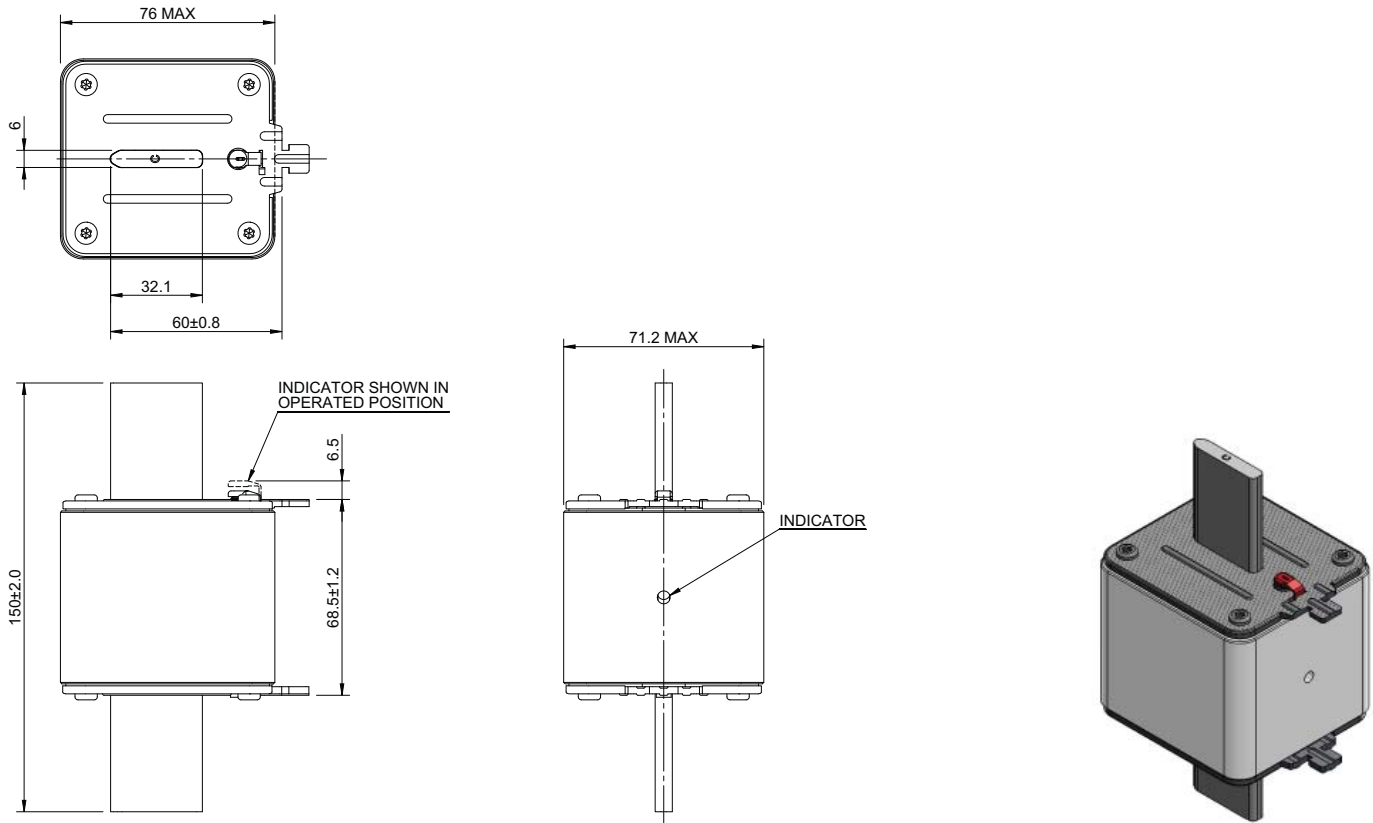
Outline drawing - NH1 Bladed



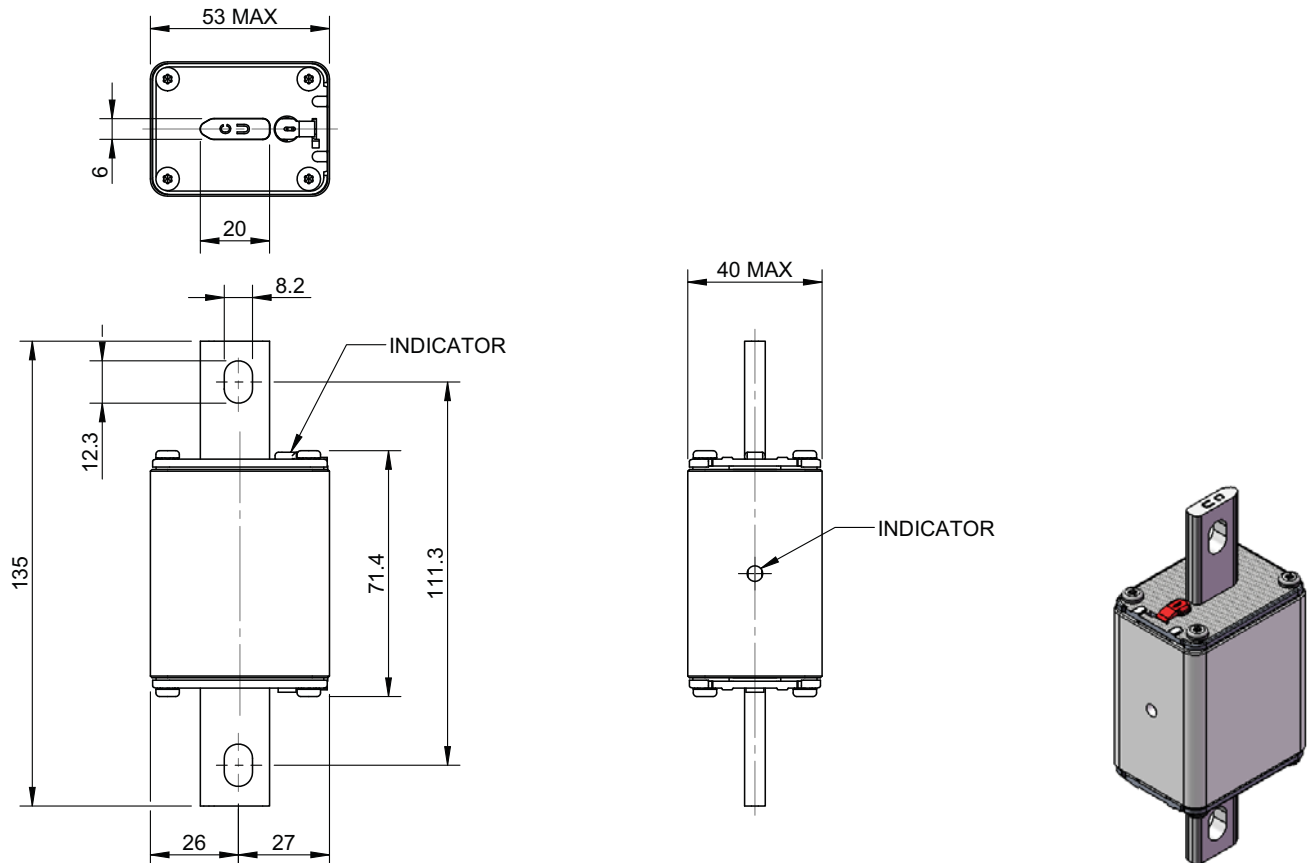
Outline drawing - NH2 Bladed



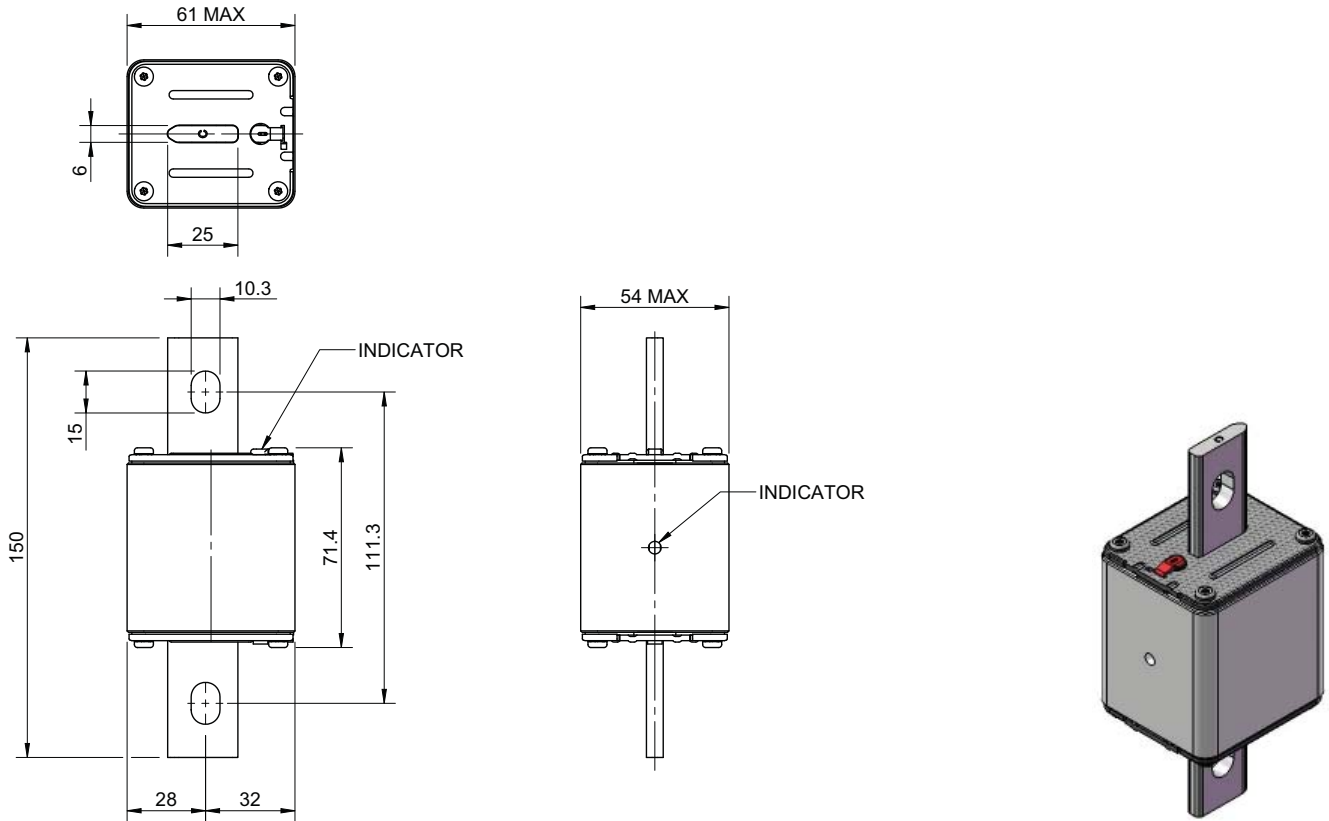
Outline drawing - NH3 Bladed



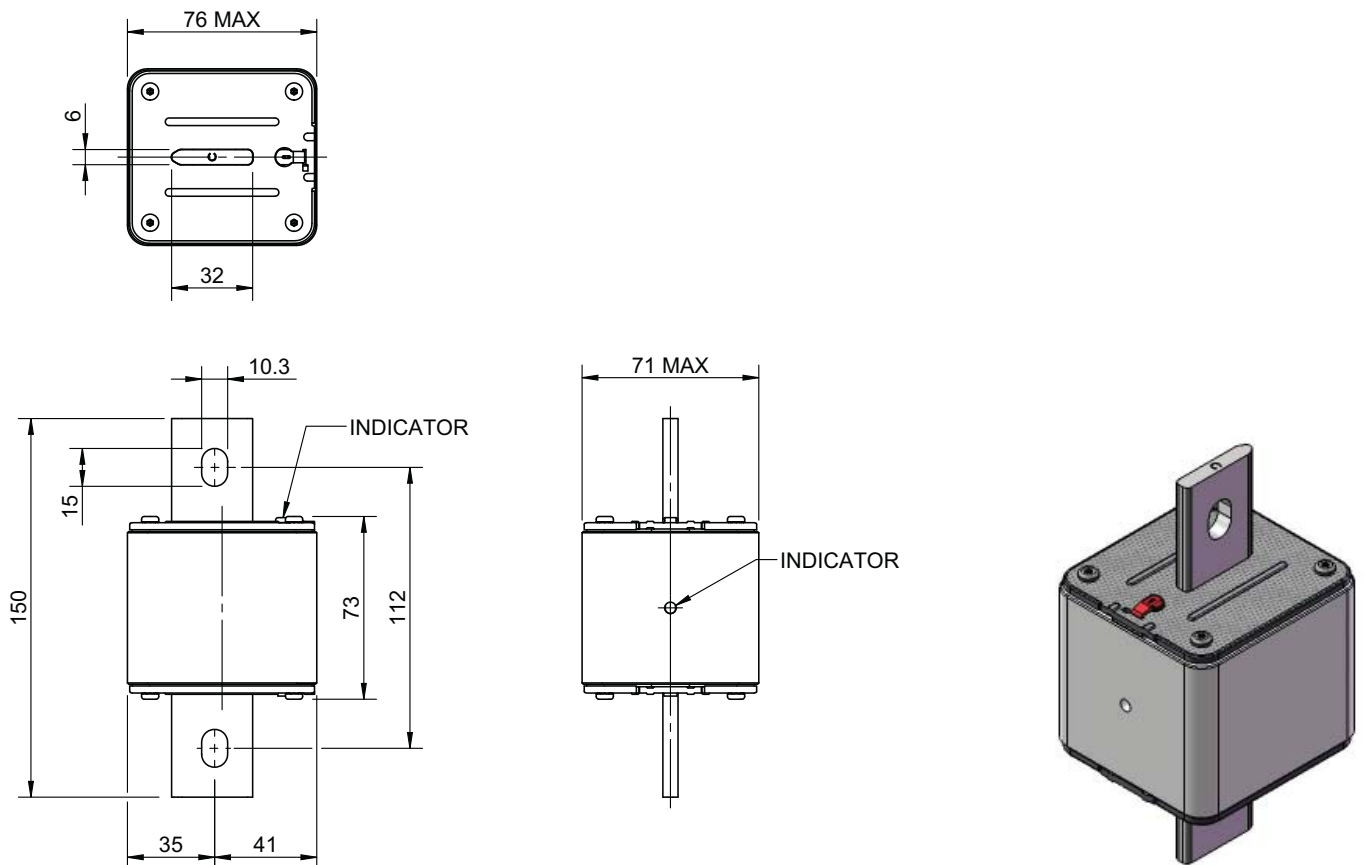
Outline drawing - NH1 Bolted



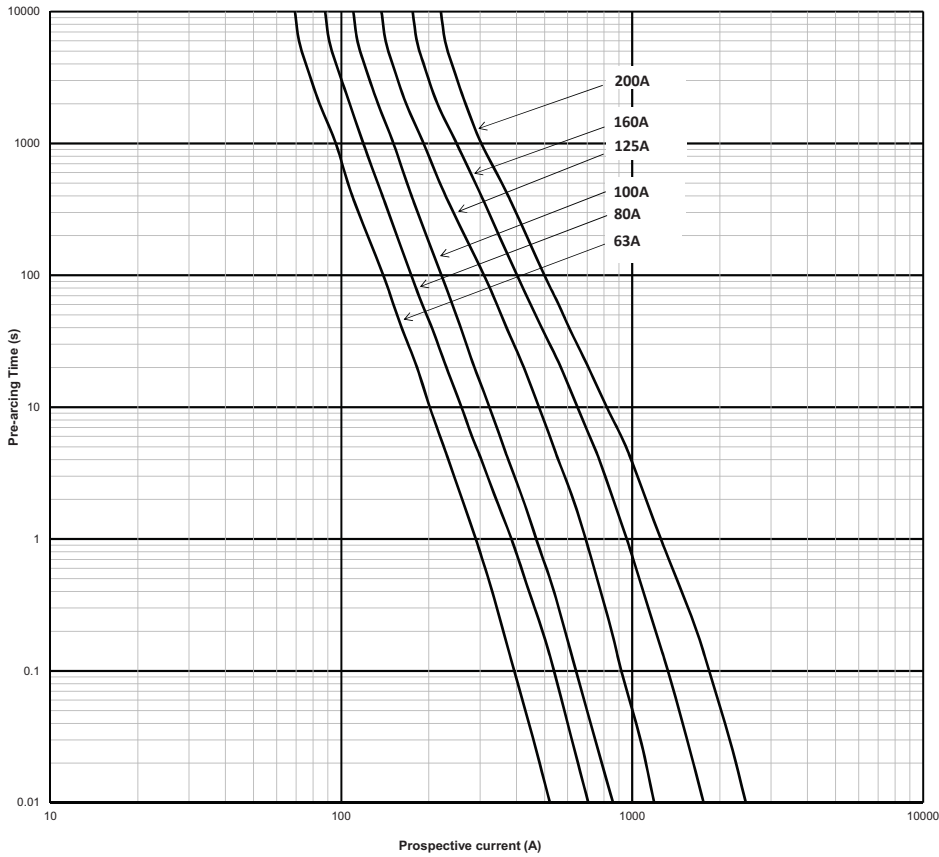
Outline drawing - NH2 Bolted



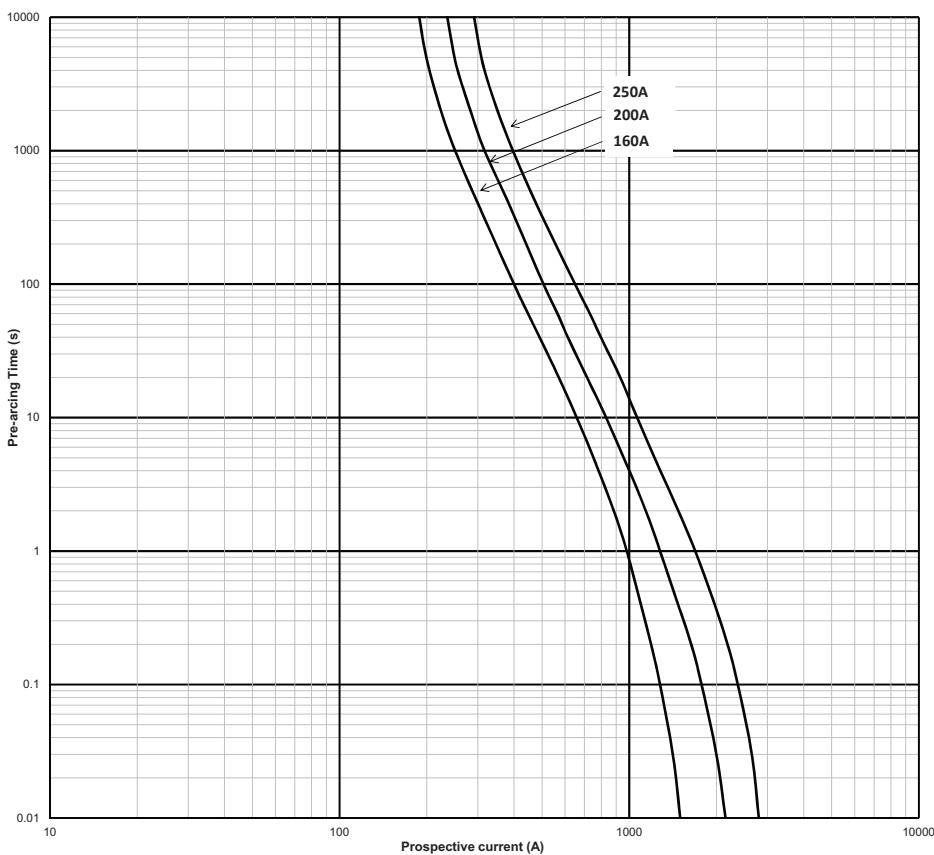
Outline drawing - NH3 Bolted



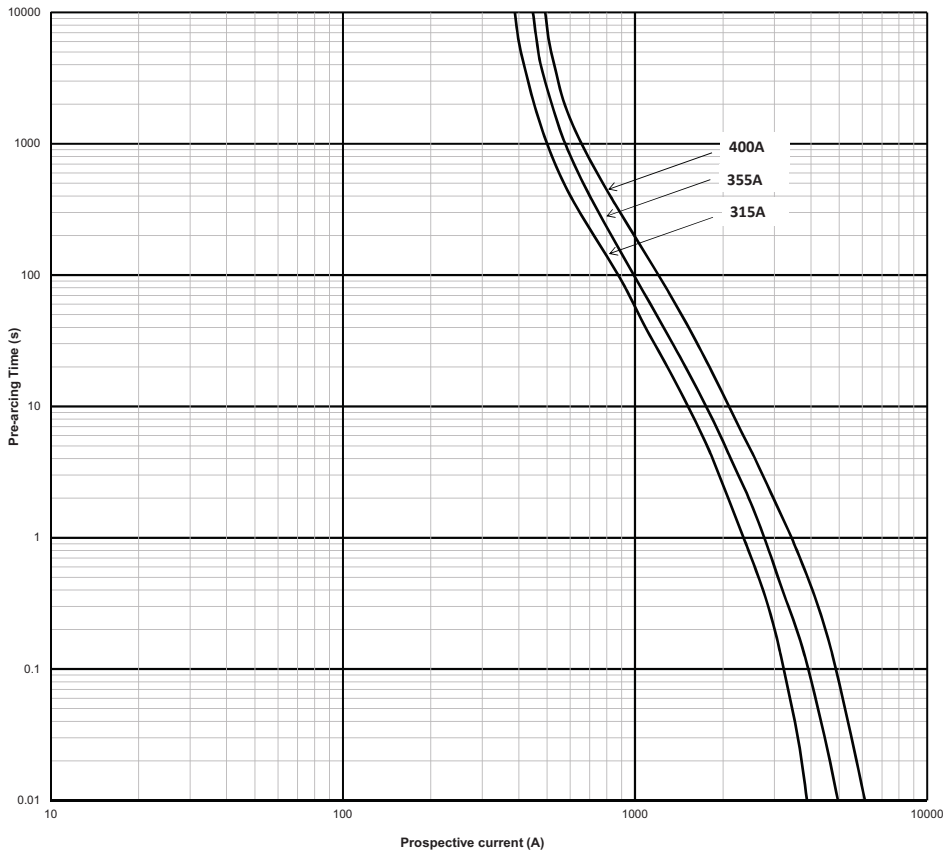
Time-current curve - NH1



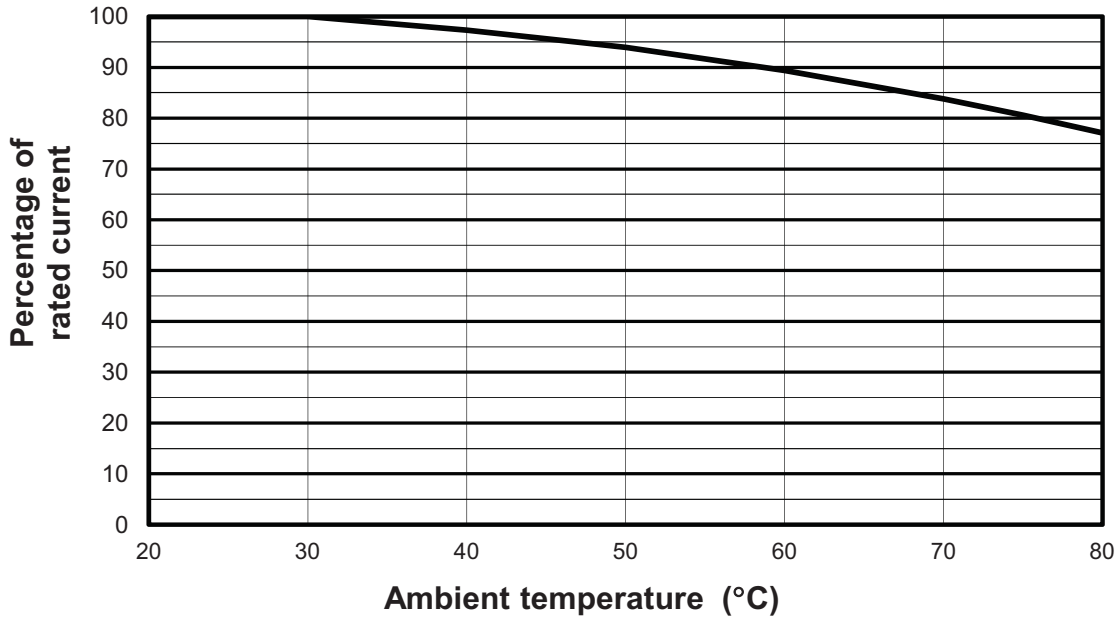
Time-current curve - NH2



Time-current curve - NH3



Temperature derating curve



(The ambient temperature is that local to the fuse link)

The only controlled copy of this data sheet is the electronic read-only version located on the Eaton network drive. All other copies of this document are by definition uncontrolled. This bulletin is intended to clearly present comprehensive product data and provide technical information that will help the end user with design applications. Eaton reserves the right, without notice, to change design or construction of any products and to discontinue or limit distribution of any products. Eaton also reserves the right to change or update, without notice, any technical information contained in this bulletin. Once a product has been selected, it should be tested by the user in all possible applications.

Changes to the products, to the information contained in this document, and to prices are reserved; so are errors and omissions. Only order confirmations and technical documentation by Eaton is binding. Photos and pictures also do not warrant a specific layout or functionality. Their use in whatever form is subject to prior approval by Eaton. The same applies to Trademarks (especially Eaton, Moeller, and Cutler-Hammer). The Terms and Conditions of Eaton apply, as referenced on Eaton Internet pages and Eaton order confirmations.

Eaton
EMEA Headquarters
Route de la Longeraie 7
1110 Morges, Switzerland

Electrical Sector
Eaton Electrical Products Limited
Unit 1, Hawker Business Park,
Melton Road, Burton-on-the-Wolds
LE12 5TH, UK
Eaton.com

© 2020 Eaton
All Rights Reserved
PDF Only
Publication No. 135001
March 2020



Eaton is a registered trademark.

All other trademarks are property of their respective owners.

