

PVS XL Photovoltaic fuse links



Bladed with top indicator



Bladed without top indicator



Bolted with side indicator



Bolted without side indicator

Product description

Eaton's Bussmann® series PVS XL fuse links are specifically designed to protect and isolate photovoltaic array combiners and disconnects. These fuse links are capable of interrupting low overcurrents associated with faulted PV systems (reverse current, multi-array fault).

Standard features

- Global accreditations
- Compatible with Eaton's Bussmann series PV XL bases range (see data sheet 10685)

EATON

Powering Business Worldwide

Technical Data TD135020EN

Effective January 2024

PVS XL Photovoltaic fuse links

Catalogue symbol

Fuse type	Fuse body size 3
Bladed with top indicator	PVS(amprating)-3L-15
Bladed without top indicator	PVS(amprating)-3L-U-15
Bolted with side indicator	PVS(amprating)-3L-B-15
Bolted without side indicator	PVS(amprating)-3L-BU-15

Fuse size

- 3L

Technical data

Rated voltage: 1500 V d.c.

Rated current: 250 to 400 A

Breaking capacity: 100 kA

Time constant: 3 ms

Class of operation: gPV and UL PV fuse links

Standards/Approvals

- IEC 60269-6
- UL 248-19 (file number E335324)
- RoHS compliant

Microswitches (ordered separately)

See table

Fuse holders

See table

Packaging

- MOQ: 1

PVS XL Photovoltaic fuse links

Technical Data - Bladed versions

Fuse link body size	Rated voltage	Rated current (Amps)	Breaking capacity (kA)	I ² t (A ² Sec)		Watts loss (W)		Catalogue numbers	
				Pre-arcing	Total at 1500 V ¹	0.7 I _n	I _n	Bladed with top indicator	Bladed without top indicator
3L	1500 V d.c.	315	100	175,000	460,000	22	55	PVS315A-3L-15	PVS315A-3L-U-15
3L	1500 V d.c.	350	100	250,000	970,000	23	57	PVS350A-3L-15	PVS350A-3L-U-15
3L	1500 V d.c.	355	100	250,000	970,000	23	59	PVS355A-3L-15	PVS355A-3L-U-15
3L	1500 V d.c.	400	100	315,000	1,100,000	27	71	PVS400A-3L-15	PVS400A-3L-U-15

Technical Data - Bolted versions

Fuse link body size	Rated voltage	Rated current (Amps)	Breaking capacity (kA)	I ² t (A ² Sec)		Watts loss (W)		Catalogue numbers	
				Pre-arcing	Total at 1500 V ¹	0.7 I _n	I _n	Bolted version with side indicator	Bolted without side indicator
3L	1500 V d.c.	315	100	175,000	460,000	21	52	PVS315A-3L-B-15	PVS315A-3L-BU-15
3L	1500 V d.c.	350	100	250,000	970,000	21	54	PVS350A-3L-B-15	PVS350A-3L-BU-15
3L	1500 V d.c.	355	100	250,000	970,000	22	57	PVS355A-3L-B-15	PVS355A-3L-BU-15
3L	1500 V d.c.	400	100	315,000	1,100,000	25	66	PVS400A-3L-B-15	PVS400A-3L-BU-15

Compatible fuse bases and microswitches - Bladed

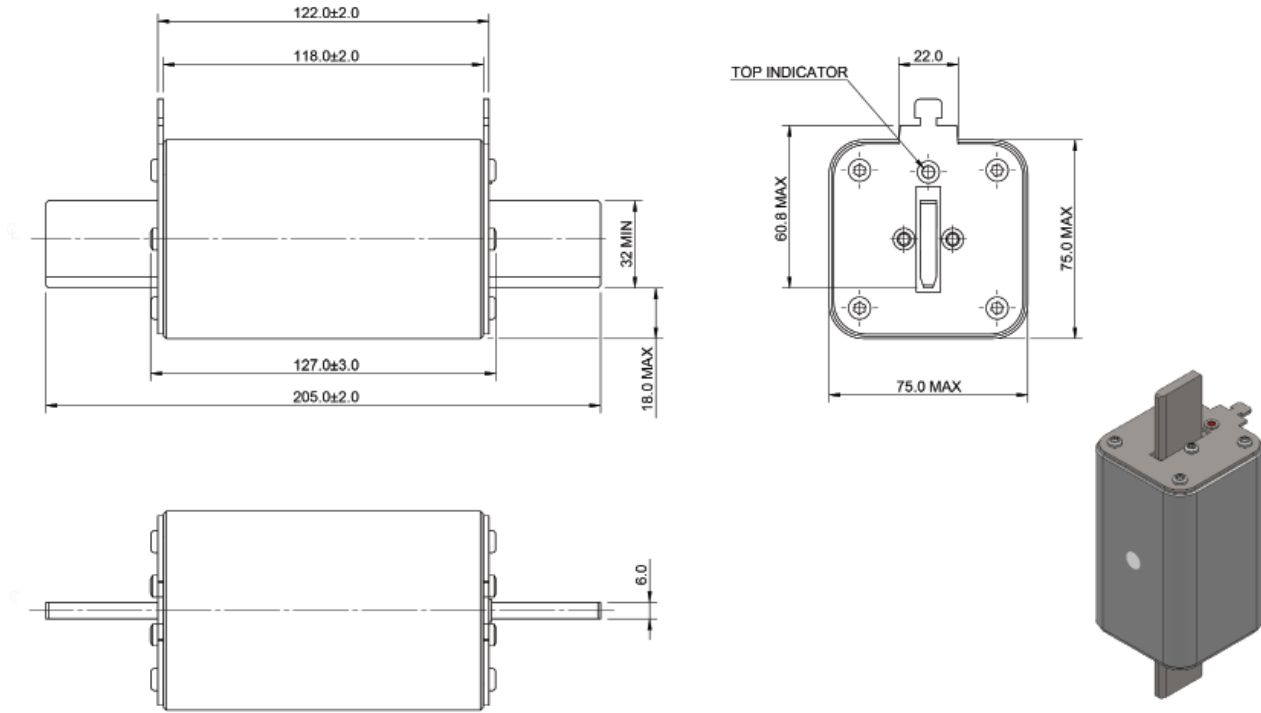
Fuse link body size	Rated voltage	Rated current (Amps)	Fuse type	Catalogue numbers	Compatible XL Bases	Compatible microswitches
3L	1500 V d.c.	250 to 400 A	Bladed with top indicator	PVS(Amp)A-3L-15	SD3L-S-PV	170H0236/170H0238
3L	1500 V d.c.	250 to 400 A	Bladed without top indicator	PVS(Amps)A-3L-U-15	SD3L-S-PV	N/A

Compatible fuse bases and microswitches - Bolted

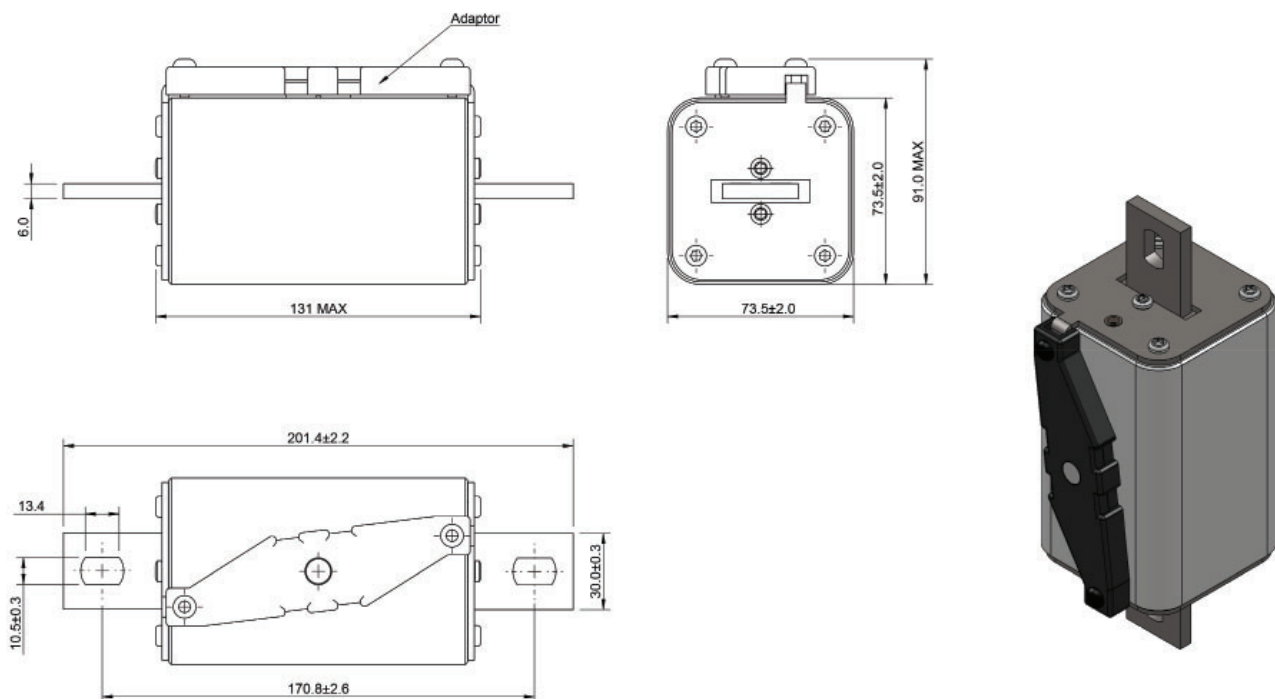
Fuse link body size	Rated voltage	Rated current (Amps)	Fuse type	Catalogue number	Compatible XL Bases	Compatible microswitches
3L	1500 V d.c.	250 to 400	Bolted version with side indicator	PVS(Amps)A-3L-B-15	N/A	170H0069
3L	1500 V d.c.	250 to 400	Bolted without side indicator	PVS(Amps)A-3L-BU-15	N/A	N/A

Dimensions - mm

3L Bladed with and without top indicator

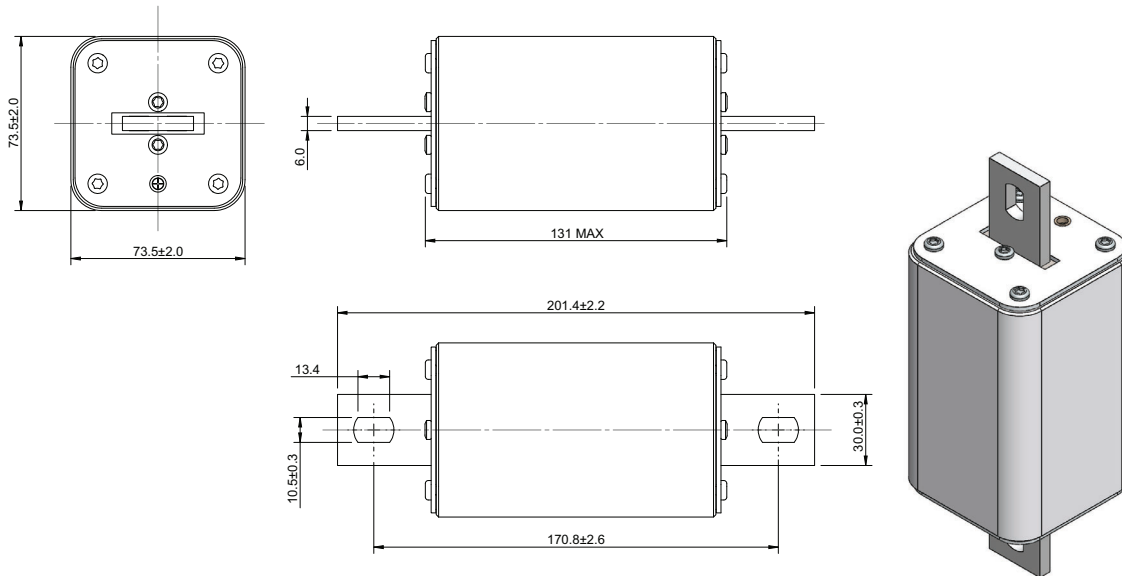


3L-B Bolted with side indicator

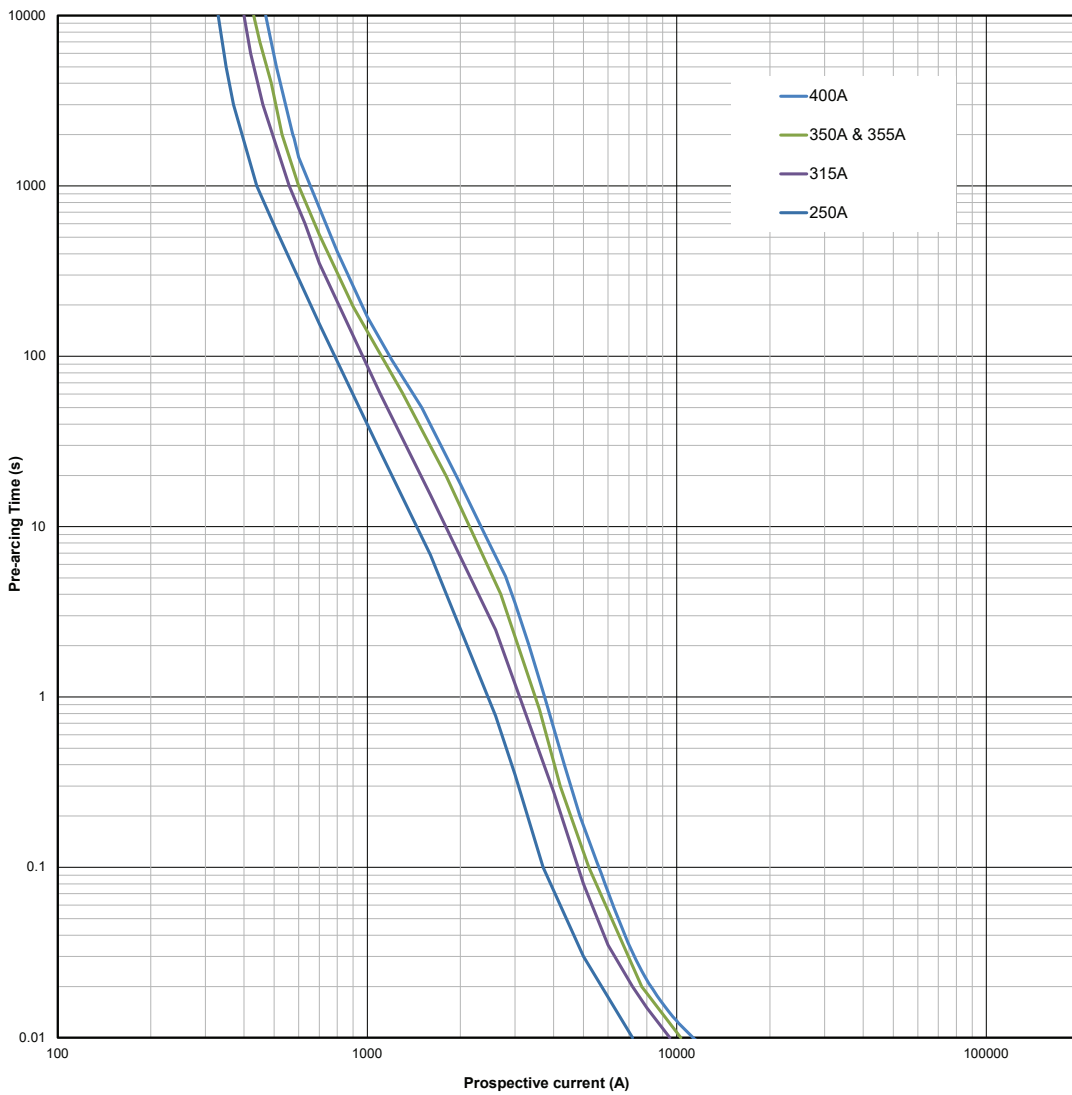


Dimensions - mm

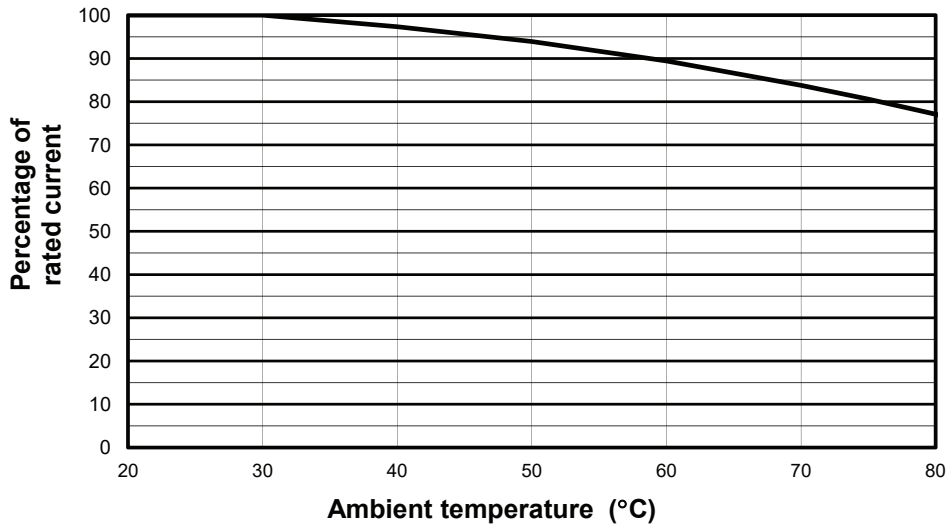
3L-BU Bolted without side indicator



Time current curve - Bladed and bolted



Temperature derating curve



Changes to the products, to the information contained in this document, and to prices are reserved; so are errors and omissions. Only order confirmations and technical documentation by Eaton is binding. Photos and pictures also do not warrant a specific layout or functionality. Their use in whatever form is subject to prior approval by Eaton. The same applies to Trademarks (especially Eaton, Moeller, and Cutler-Hammer). The Terms and Conditions of Eaton apply, as referenced on Eaton Internet pages and Eaton order confirmations.

Eaton
EMEA Headquarters
Route de la Longeraie 7
1110 Morges, Switzerland

Eaton Electrical Products Limited
Unit 1, Hawker Business Park
Melton Road
Burton-on-the-Wolds
Leicestershire, LE12 5TH
United Kingdom

© 2024 Eaton
All Rights Reserved
PDF Only
Publication No. TD135020EN
January 2024



Eaton is a registered trademark.

All other trademarks are property of their respective owners.