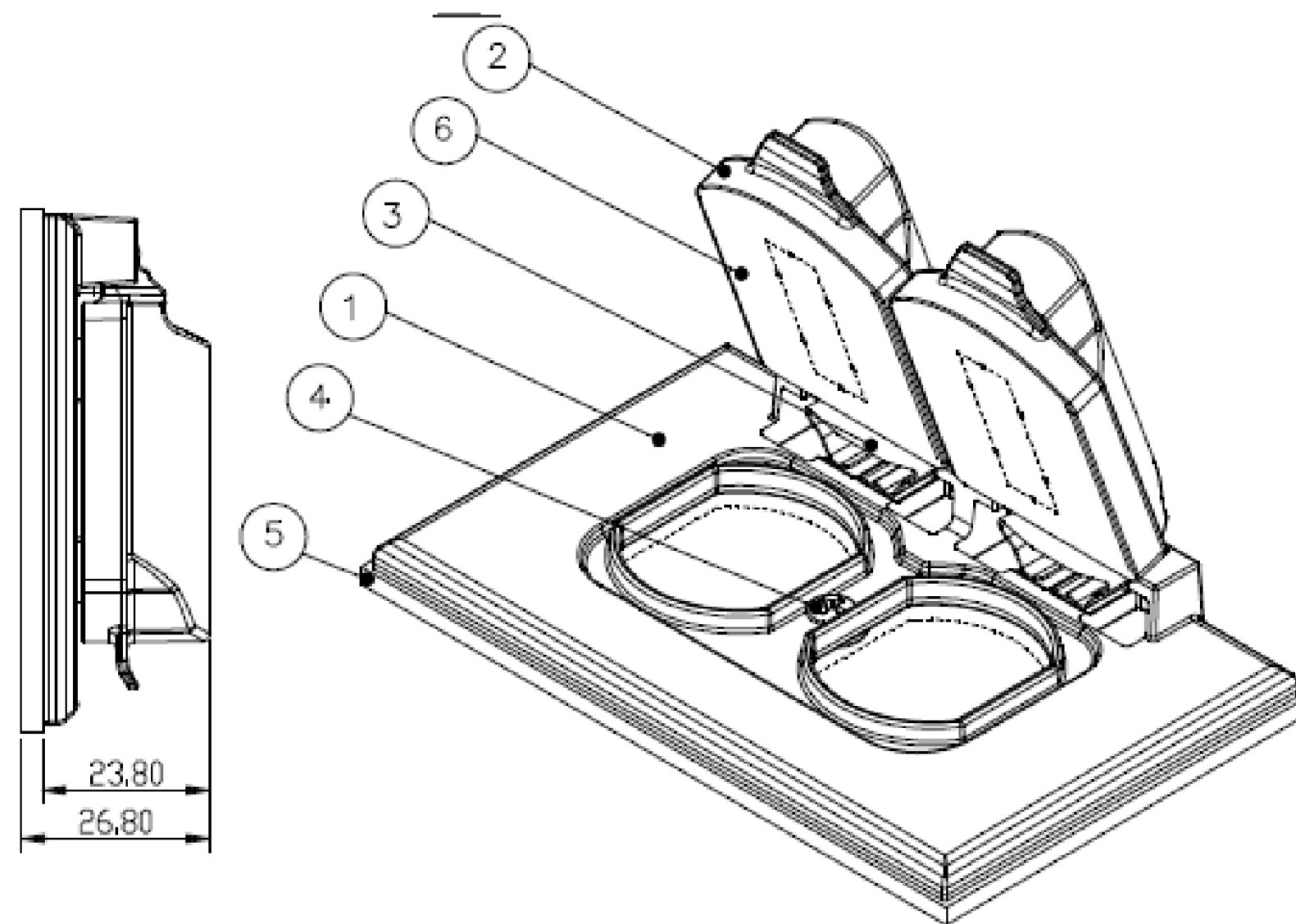
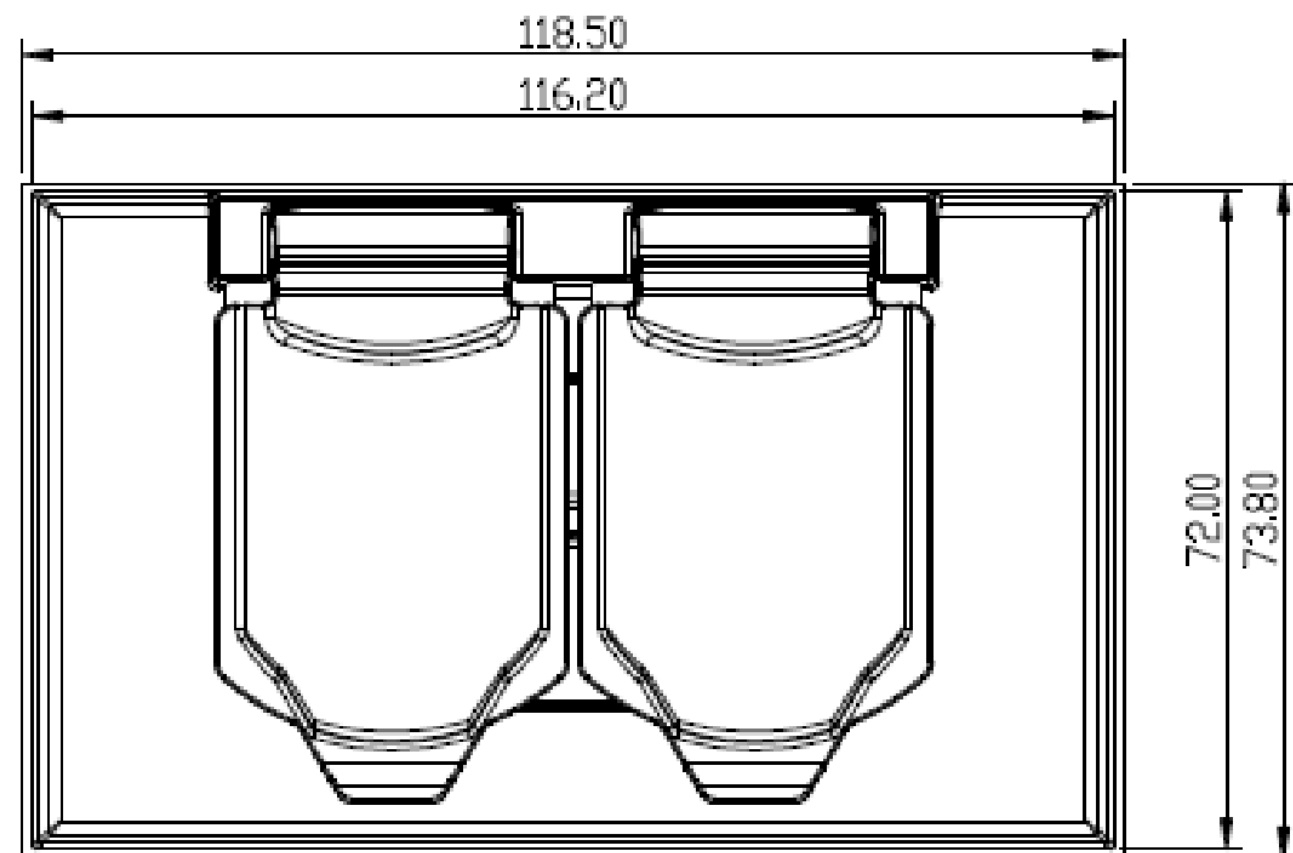


ZONE	NO.	DESCRIPTION	DATE	APPRD.	LTR. NO.
	1	SUBMIT FOR RELEASE	5/7/2020	PW	

1 GANG HORIZONTAL DUPLEX RECEPTACLE COVER


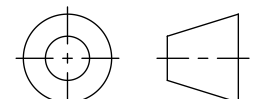
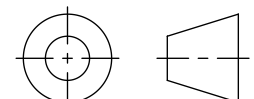
TP7209	BRONZE
TP7207	GREY
TP7206	NATURAL
TP7208	WHITE



6	LID GASKET	POLYETHYLENE/POLYOLEFIN FOAM	2
5	BASE GASKET	POLYETHYLENE/POLYOLEFIN FOAM	1
4	SCREW (NO.6 X 0.50"L)	LOW CARBON STEEL	1
3	SPRING	STAINLESS STEEL	2
2	LID	ALUMINIUM ALLOY	2
1	BODY	ALUMINIUM ALLOY	1
SR.NO.	PART NAME	MATERIAL	QTY

NOTES:

- CERTIFICATION/LISTING:  
- ENVIRONMENTAL RATING:  
-WEATHERPROOF  
-WET LOCATION

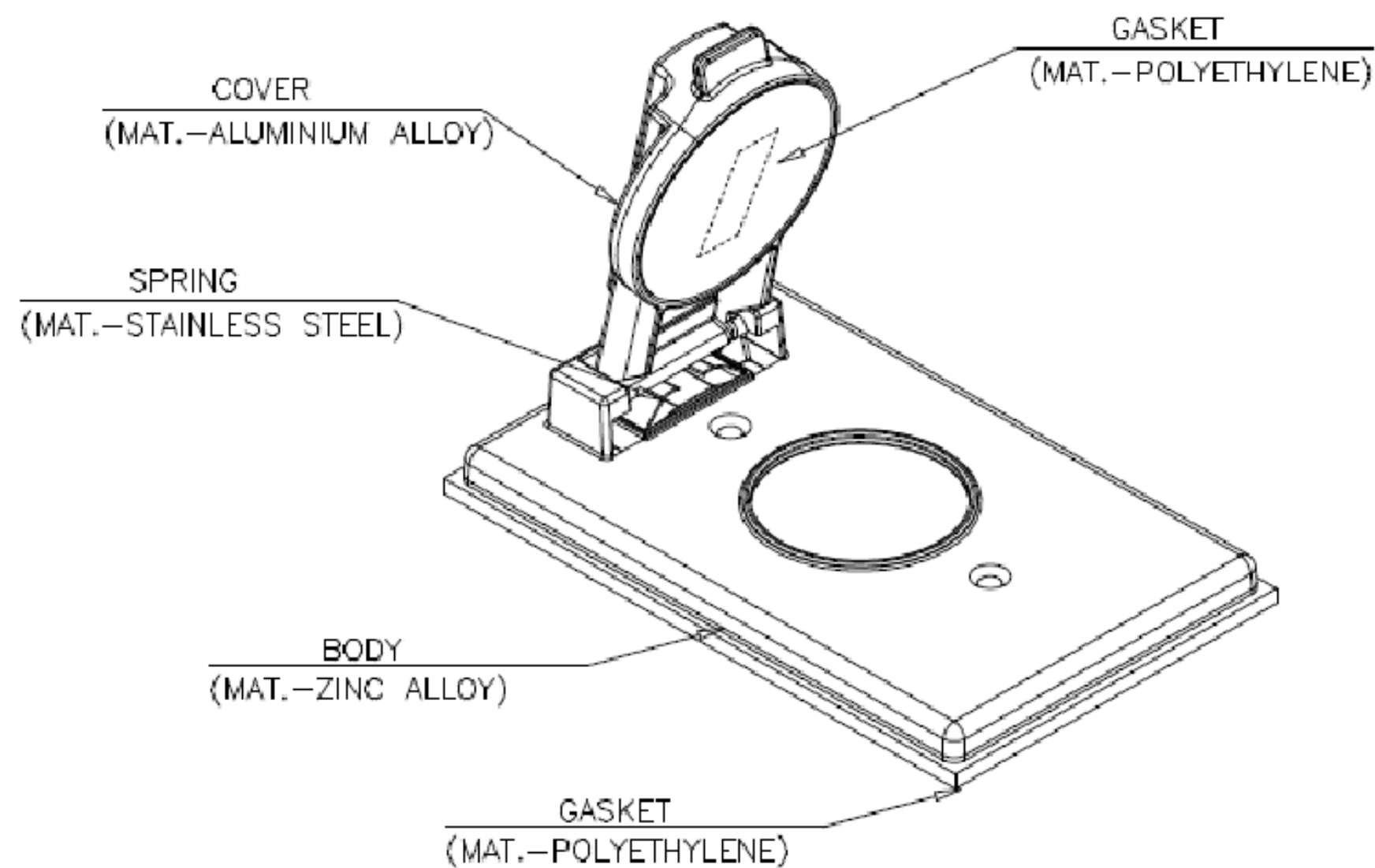
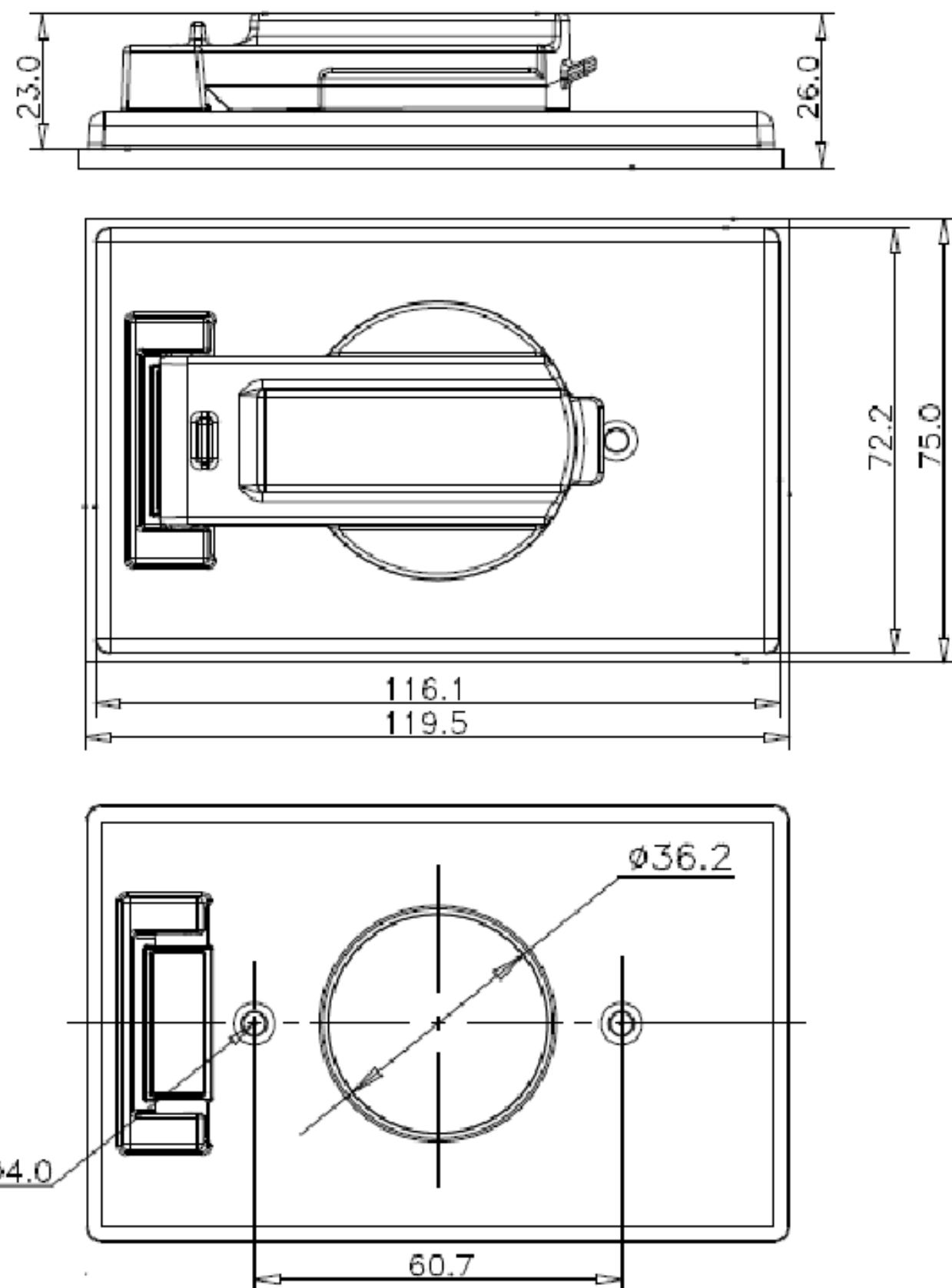
<small>THIS IS PROPERTY OF EATON AND CONTAINS CONFIDENTIAL AND TRADE SECRET INFORMATION. POSSESSION DOES NOT CONVEY ANY RIGHTS TO LOAN, SELL OR DISCLOSE SAID INFORMATION. REPRODUCTION OR USE FOR ANY PURPOSE OTHER THAN WHICH IT WAS SUPPLIED MAY NOT BE MADE WITHOUT EXPRESS WRITTEN PERMISSION OF EATON. THIS DRAWING IS ON LOAN AND IS TO BE RETURNED UPON REQUEST.</small>	<b>TOLERANCES</b> UNLESS OTHERWISE SPECIFIED		UNLESS OTHERWISE SPECIFIED, ALL PRIMARY DIMENSIONS ARE IN INCHES. DIMENSIONS IN [ ] ARE IN MILLIMETERS.															
	<table border="1"> <tr> <th></th> <th>in.</th> <th>mm</th> </tr> <tr> <td>.X</td> <td>± .1</td> <td>± .3</td> </tr> <tr> <td>.XX</td> <td>± .01</td> <td>± .13</td> </tr> <tr> <td>.XXX</td> <td>± .005</td> <td>± .000</td> </tr> <tr> <td>ANGLES</td> <td>± 1.5°</td> <td>± 1.5°</td> </tr> </table>		in.	mm		.X	± .1	± .3	.XX	± .01	± .13	.XXX	± .005	± .000	ANGLES	± 1.5°	± 1.5°	ORIGINAL DATE 05/4/2020
	in.	mm																
.X	± .1	± .3																
.XX	± .01	± .13																
.XXX	± .005	± .000																
ANGLES	± 1.5°	± 1.5°																
MATERIAL: FINISH: DIM AND TOL IN ACCORDANCE WITH ASME Y14.5 2009. THIRD ANGLE PROJECTION		CHECKED BY APPROVED BY APPROVED BY	FIRST MADE FOR WEATHERPROOF SIZE C CODE IDENT. NO. TP7 REV. 1															
NEXT ASSY. USED ON APPLICATION		SCALE 1:1 WT. SHEET 1 OF 1																

 **CHS Controls AB**  
Tel +46 42 38 61 00, Fax +46 42 38 61 29  
chs@chscontrols.se www.chscontrols.se

ZONE	NO.	DESCRIPTION	DATE	APPRD.	LTR. NO.
	1	SUBMIT FOR RELEASE	5/7/2020	PW	

1 GANG VERTICAL ROUND FLIP RECEPTACLE COVER

TP7202	GREY
TP7204	BRONZE
TP7203	WHITE


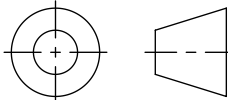


ACCESSORIES:

SR.No.	DESCRIPTION	QTY
1	SCREW (NO. 06 X 0.50")	2

NOTES:

- CERTIFICATION/LISTING:  
- ENVIRONMENTAL RATING:  
-WEATHERPROOF  
-WET LOCATION

<small>THIS IS PROPERTY OF EATON AND CONTAINS CONFIDENTIAL AND TRADE SECRET INFORMATION. POSSESSION DOES NOT CONVEY ANY RIGHTS TO LOAN, SELL OR DISCLOSE SAID INFORMATION. REPRODUCTION OR USE FOR ANY PURPOSE OTHER THAN WHICH IT WAS SUPPLIED MAY NOT BE MADE WITHOUT EXPRESS WRITTEN PERMISSION OF EATON. THIS DRAWING IS ON LOAN AND IS TO BE RETURNED UPON REQUEST.</small>	<b>TOLERANCES</b> UNLESS OTHERWISE SPECIFIED		UNLESS OTHERWISE SPECIFIED, ALL PRIMARY DIMENSIONS ARE IN INCHES. DIMENSIONS IN [ ] ARE IN MILLIMETERS.																			
	<table border="1"> <tr> <th></th> <th>in.</th> <th>mm</th> </tr> <tr> <td>.X</td> <td>± .1</td> <td>± .3</td> </tr> <tr> <td>.XX</td> <td>± .01</td> <td>± .13</td> </tr> <tr> <td>.XXX</td> <td>± .005</td> <td>± .000</td> </tr> <tr> <td>ANGLES</td> <td>± 1.5°</td> <td>± 1.5°</td> </tr> </table>			in.		mm	.X	± .1	± .3	.XX	± .01	± .13	.XXX	± .005	± .000	ANGLES	± 1.5°	± 1.5°	ORIGINAL DATE	05/4/2020	TITLE	1 GANG VERT RND FLIP COV
		in.	mm																			
	.X	± .1	± .3																			
.XX	± .01	± .13																				
.XXX	± .005	± .000																				
ANGLES	± 1.5°	± 1.5°																				
DIM AND TOL IN ACCORDANCE WITH ASME Y14.5 2009.		REDRAWN DATE		DRAWN BY	TAK																	
THIRD ANGLE PROJECTION		CHECKED BY		APPROVED BY																		
MATERIAL:				APPROVED BY																		
FINISH:		APPLICATION		SIZE C	CODE IDENT. NO. TP7																	
NEXT ASSY. USED ON		SCALE 1:1		WT.	SHEET 1 OF 1																	
FIRST MADE FOR WEATHERPROOF		REV. 1																				

 **CHS Controls AB**  
Tel +46 42 38 61 00, Fax +46 42 38 61 29  
chs@chscontrols.se www.chscontrols.se

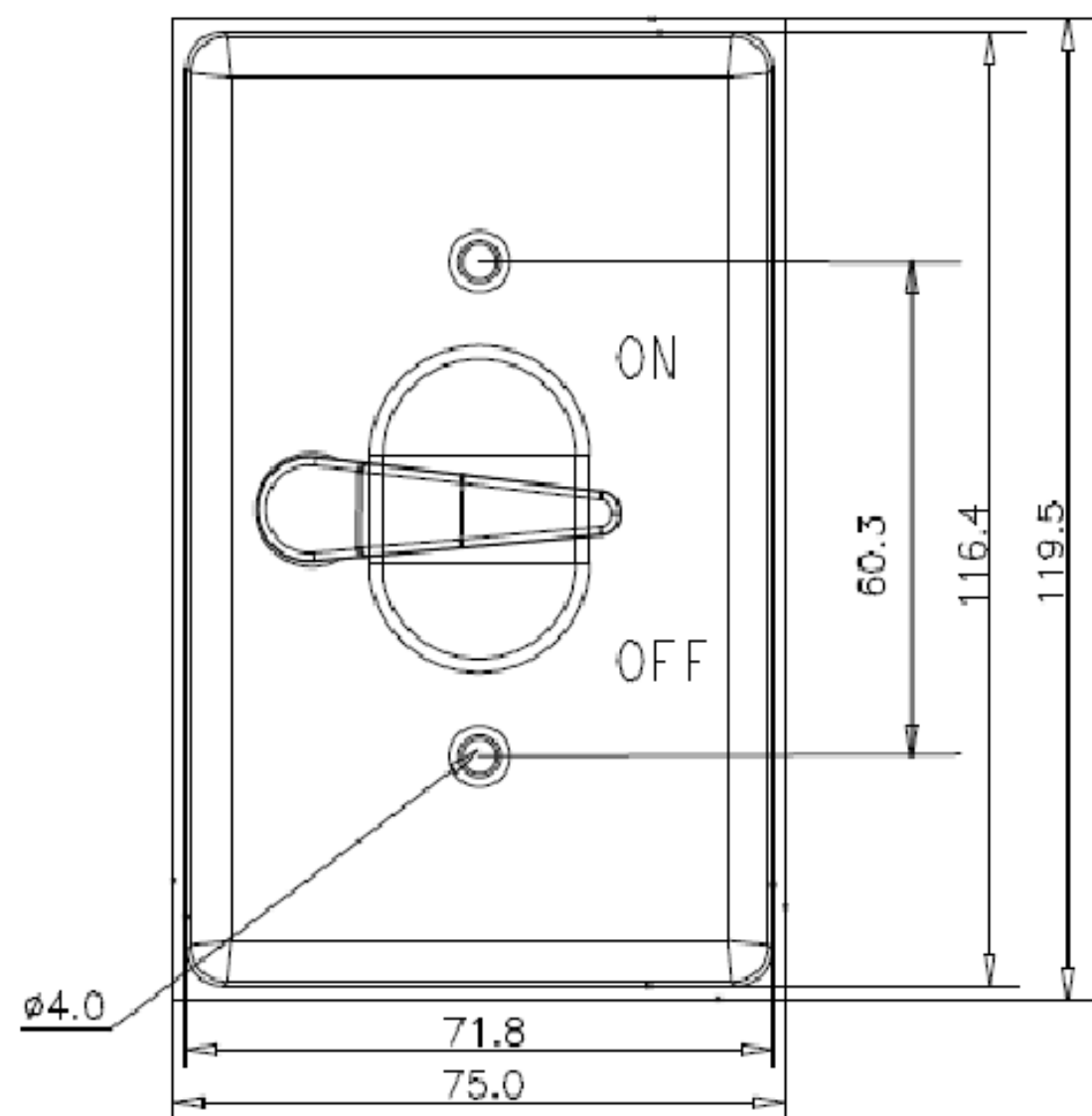
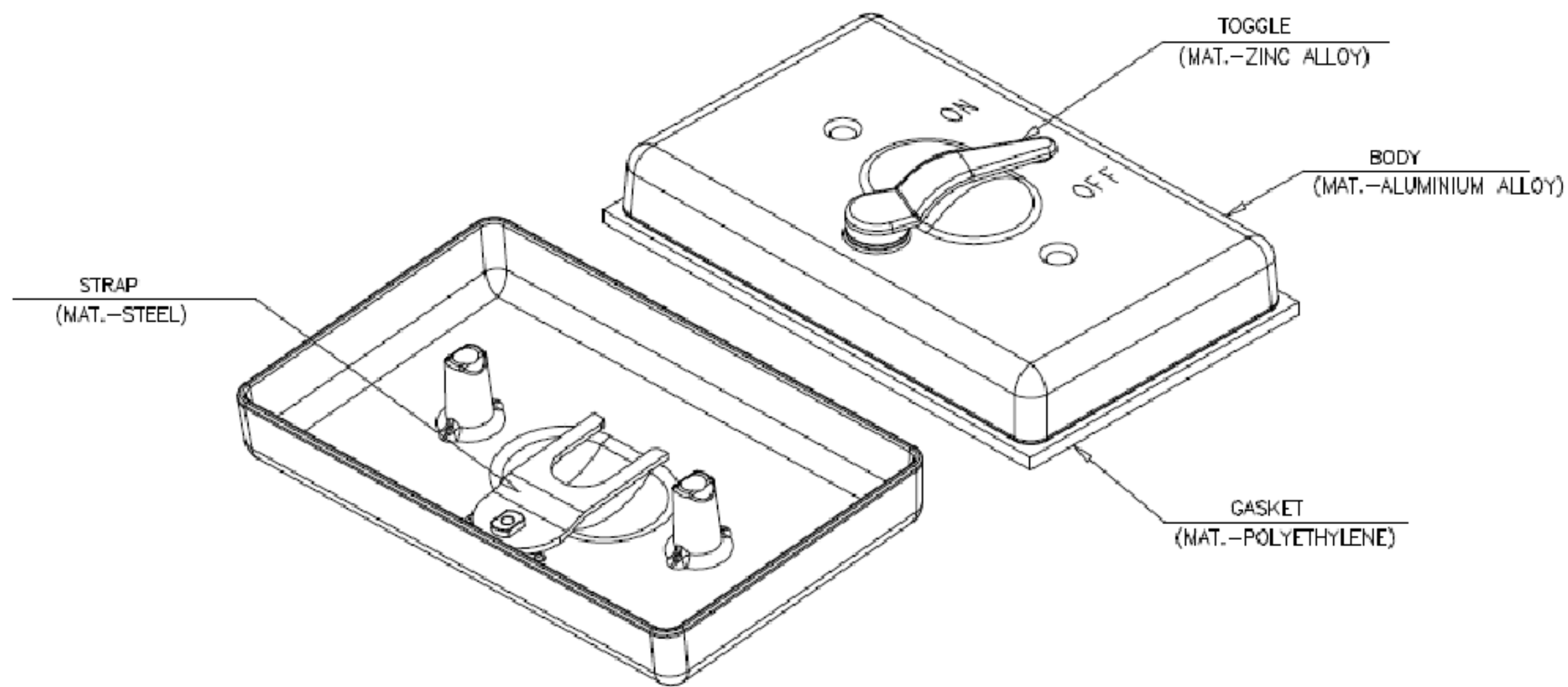
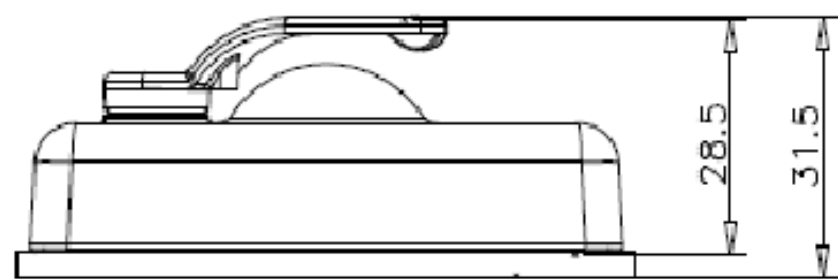
SW\_REV 11/2015

CCHSY-SW-Template-C

ZONE	NO.	DESCRIPTION	DATE	APPRD.	LTR. NO.
	1	SUBMIT FOR RELEASE	5/7/2020	PW	

### SINGLE GANG VERTICAL TOGGLE SWITCH COVER

TP7280	GREY
TP7282	BRONZE
TP7281	WHITE


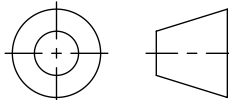


#### ACCESSORIES:

SR.No.	DESCRIPTION	QTY
1	SCREW (NO. 06 X 0.78")	2

#### NOTES:

- CERTIFICATION/LISTING:  
- ENVIRONMENTAL RATING:  
-WEATHERPROOF  
-WET LOCATION

<small>THIS IS PROPERTY OF EATON AND CONTAINS CONFIDENTIAL AND TRADE SECRET INFORMATION. POSSESSION DOES NOT CONVEY ANY RIGHTS TO LOAN, SELL OR DISCLOSE SAID INFORMATION. REPRODUCTION OR USE FOR ANY PURPOSE OTHER THAN WHICH IT WAS SUPPLIED MAY NOT BE MADE WITHOUT EXPRESS WRITTEN PERMISSION OF EATON. THIS DRAWING IS ON LOAN AND IS TO BE RETURNED UPON REQUEST.</small>	<b>TOLERANCES</b> UNLESS OTHERWISE SPECIFIED		UNLESS OTHERWISE SPECIFIED, ALL PRIMARY DIMENSIONS ARE IN INCHES. DIMENSIONS IN [ ] ARE IN MILLIMETERS.													
	.X .XX .XXX ANGLES	<table border="1"> <tr><th>in.</th><th>mm</th></tr> <tr><td>± .1</td><td>± .3</td></tr> <tr><td>± .01</td><td>± .13</td></tr> <tr><td>± .005</td><td>± .000</td></tr> <tr><td>± 1.5°</td><td>± 1.5°</td></tr> </table>	in.	mm		± .1	± .3	± .01	± .13	± .005	± .000	± 1.5°	± 1.5°	ORIGINAL DATE 05/4/2020	REDRAWN DATE DRAWN BY TAK	TITLE 1 GANG VERT TOGGLE SW COV
	in.	mm														
	± .1	± .3														
± .01	± .13															
± .005	± .000															
± 1.5°	± 1.5°															
DIM AND TOL IN ACCORDANCE WITH ASME Y14.5 2009.		CHECKED BY	APPROVED BY	FIRST MADE FOR WEATHERPROOF												
THIRD ANGLE PROJECTION 		APPROVED BY	APPROVED BY	SIZE C												
MATERIAL:	FINISH:	APPROVED BY	APPROVED BY	CODE IDENT. NO. TP7	REV. 1											
NEXT ASSY.	USED ON	APPLICATION		SCALE 1:1	WT. SHEET 1 OF 1											

 **CHS Controls AB**  
Tel +46 42 38 61 00, Fax +46 42 38 61 29  
chs@chscontrols.se www.chscontrols.se

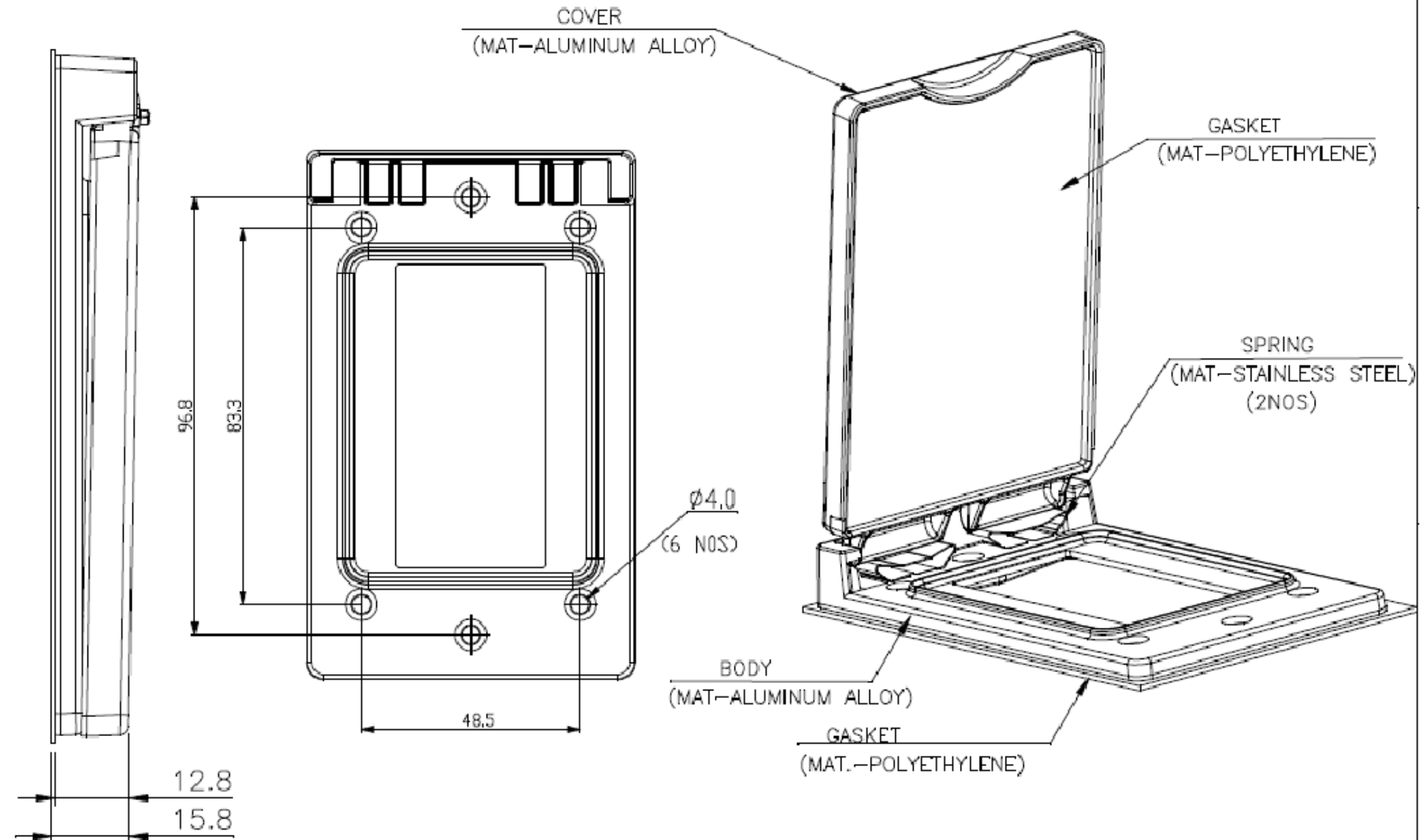
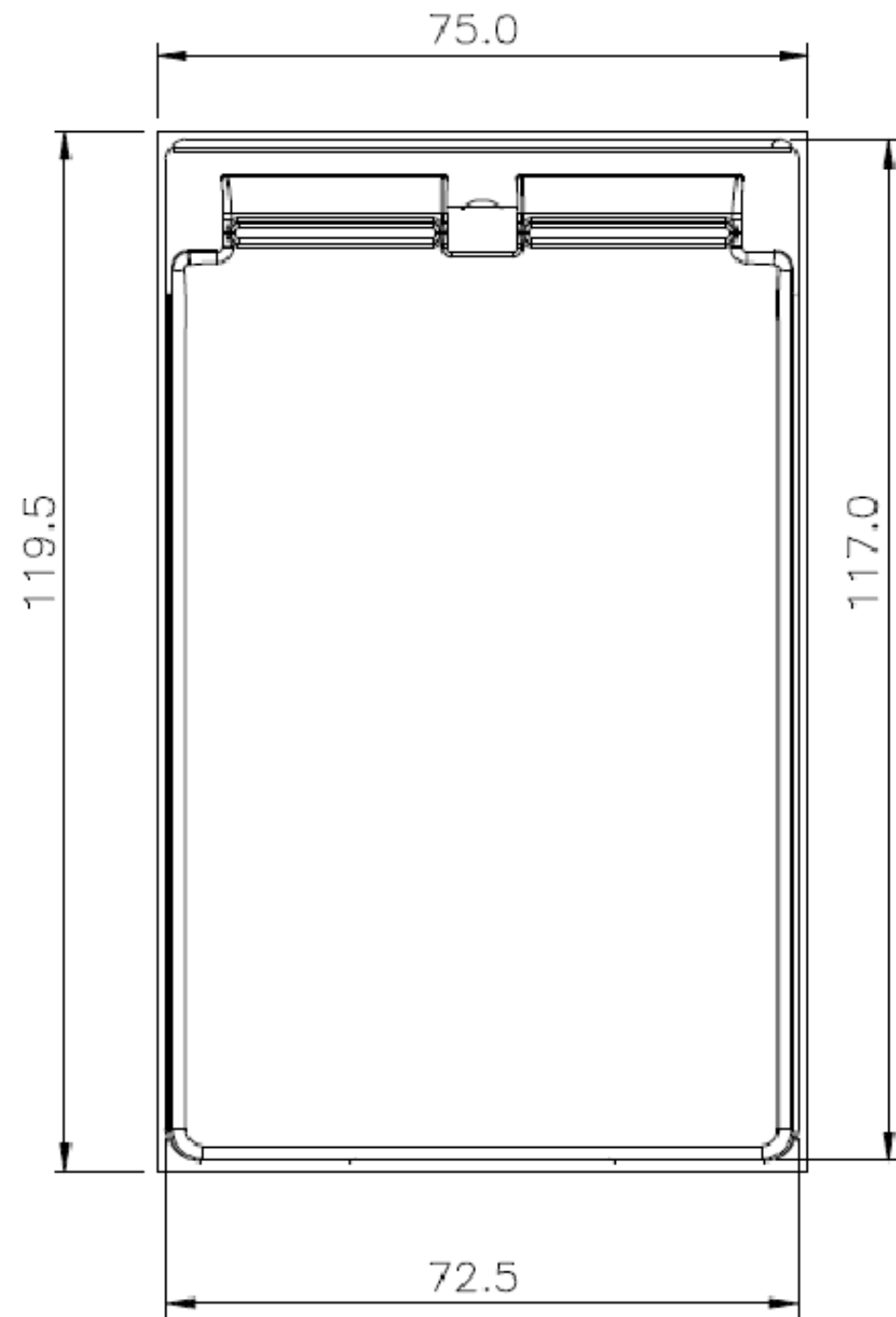
SW\_REV 11/2015

CCHSY-SW-Template-C

ZONE	NO.	DESCRIPTION	DATE	APPRD.	LTR. NO.
	1	SUBMIT FOR RELEASE	5/7/2020	PW	

1 GANG VERTICAL GFI RECEPTACLE COVER

TP7242	BRONZE
TP7240	GREY
TP7241	WHITE



ACCESSORIES:

SR.No.	DESCRIPTION	QTY
1	SCREW (NO. 06 X 0.50")	2

NOTES:

- CERTIFICATION/LISTING:  
- ENVIRONMENTAL RATING:  
-WEATHERPROOF  
-WET LOCATION

<p>THIS IS PROPERTY OF EATON AND CONTAINS CONFIDENTIAL AND TRADE SECRET INFORMATION. POSSESSION DOES NOT CONVEY ANY RIGHTS TO LOAN, SELL OR DISCLOSE SAID INFORMATION. REPRODUCTION OR USE FOR ANY PURPOSE OTHER THAN WHICH IT WAS SUPPLIED MAY NOT BE MADE WITHOUT EXPRESS WRITTEN PERMISSION OF EATON. THIS DRAWING IS ON LOAN AND IS TO BE RETURNED UPON REQUEST.</p>	<p>TOLERANCES UNLESS OTHERWISE SPECIFIED</p> <table border="1"> <tr> <th></th> <th>in.</th> <th>mm</th> </tr> <tr> <td>.X</td> <td>± .1</td> <td>± .3</td> </tr> <tr> <td>.XX</td> <td>± .01</td> <td>± .13</td> </tr> <tr> <td>.XXX</td> <td>± .005</td> <td>± .000</td> </tr> <tr> <td>ANGLES</td> <td>± 1.5°</td> <td>± 1.5°</td> </tr> </table>			in.	mm	.X	± .1	± .3	.XX	± .01	± .13	.XXX	± .005	± .000	ANGLES	± 1.5°	± 1.5°	<p>UNLESS OTHERWISE SPECIFIED, ALL PRIMARY DIMENSIONS ARE IN INCHES. DIMENSIONS IN [ ] ARE IN MILLIMETERS.</p>		<p><b>EATON</b> CROUSE-HINDS SERIES</p>	
		in.	mm																		
	.X	± .1	± .3																		
	.XX	± .01	± .13																		
.XXX	± .005	± .000																			
ANGLES	± 1.5°	± 1.5°																			
MATERIAL:	DIM AND TOL IN ACCORDANCE WITH ASME Y14.5 2009.	THIRD ANGLE PROJECTION	ORIGINAL DATE	05/4/2020	TITLE 1G VERTICAL GFI RECPT COV																
FINISH:			REDRAWN DATE		FIRST MADE FOR WEATHERPROOF																
NEXT ASSY.	USED ON		DRAWN BY	TAK	SIZE	CODE IDENT. NO.															
APPLICATION			CHECKED BY		C	TP7															
			APPROVED BY		SCALE 1:1	WT.															
			APPROVED BY		SHEET 1 OF 1	REV. 1															

 **CHS Controls AB**  
Tel +46 42 38 61 00, Fax +46 42 38 61 29  
chs@chscontrols.se www.chscontrols.se

SW\_REV 11/2015  
CCHSY-SW-Template-C

ZONE	NO.	DESCRIPTION	DATE	APPRD.	LTR. NO.
	1	SUBMIT FOR RELEASE	5/7/2020	PW	

1 G WP VERT SINGLE REC OR SW

TP7214	GREY
--------	------

D

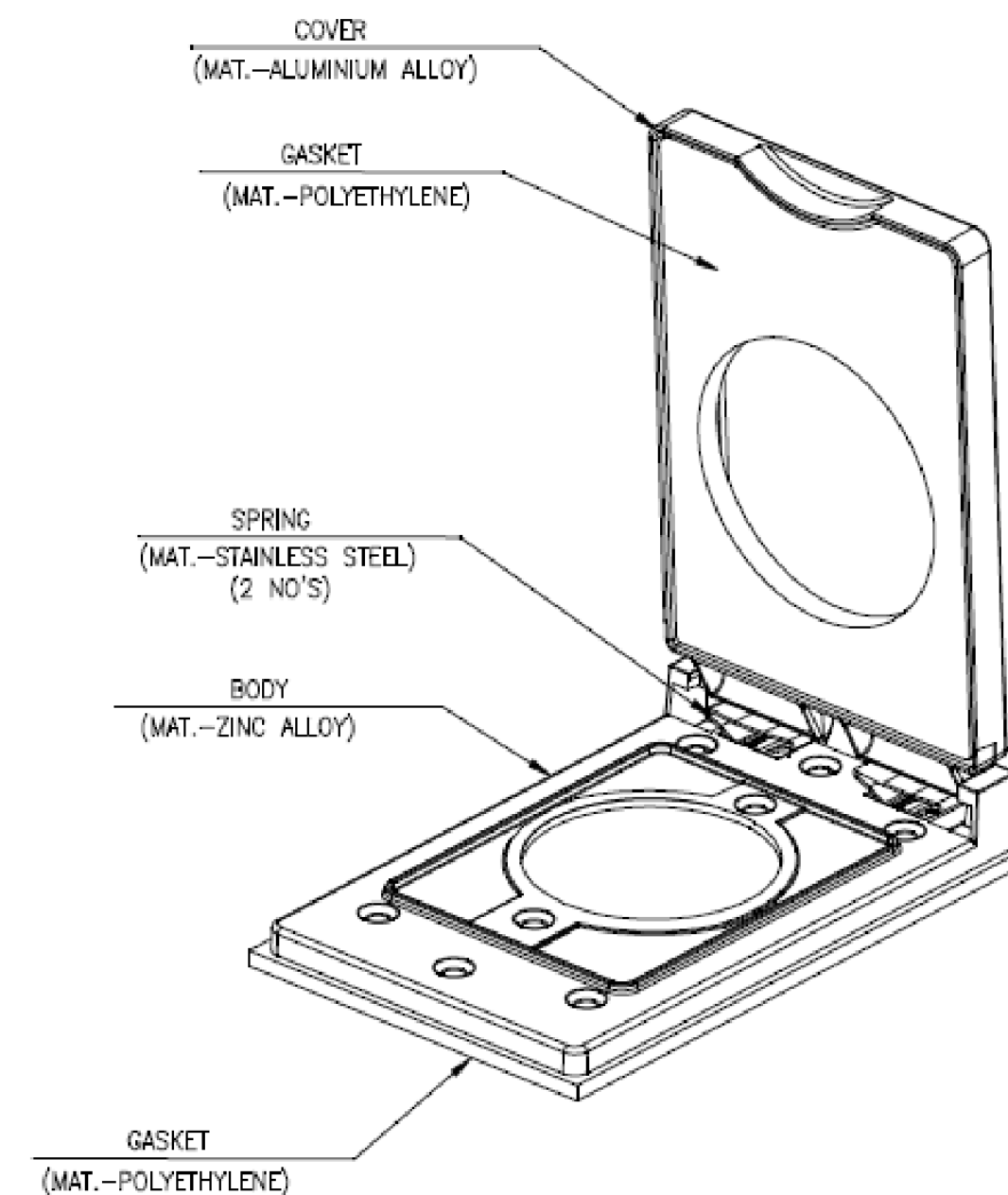
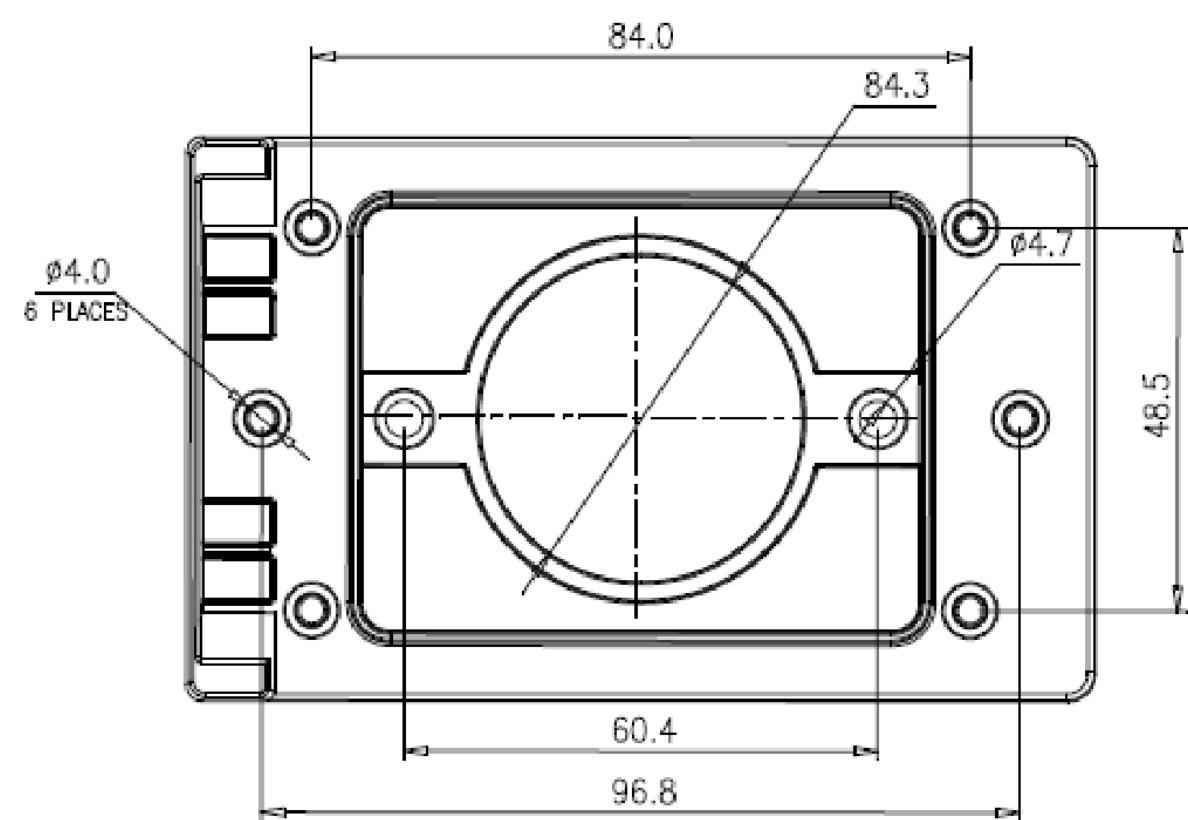
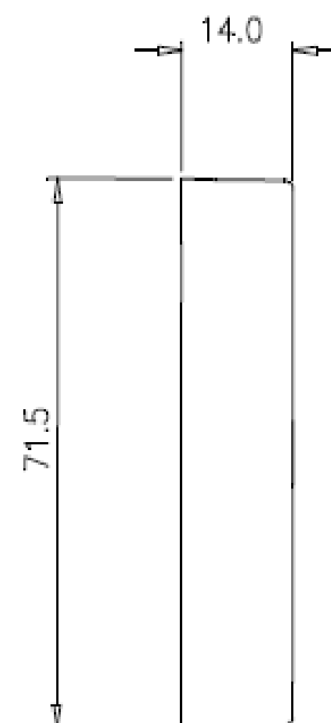
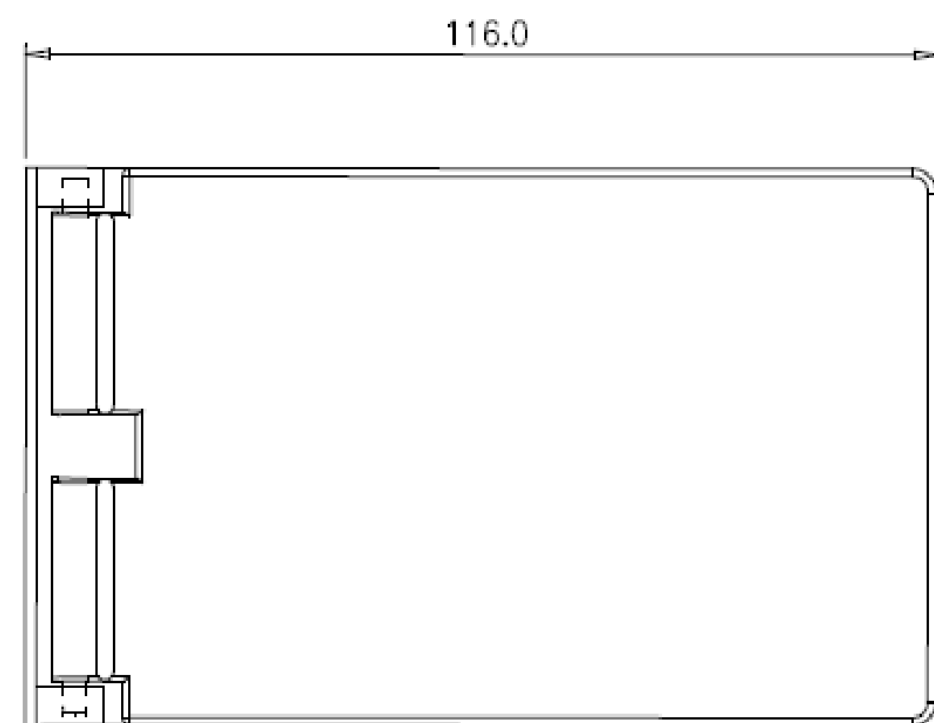
C

B

A

SW\_REV 11/2015

CCHSY-SW-Template-C

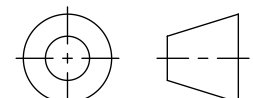


ACCESSORIES:

SR.No.	DESCRIPTION	QTY
1	SCREW (NO. 06 X 0.50")	2

NOTES:

- CERTIFICATION/LISTING:  
- ENVIRONMENTAL RATING:  
-WEATHERPROOF  
-WET LOCATION

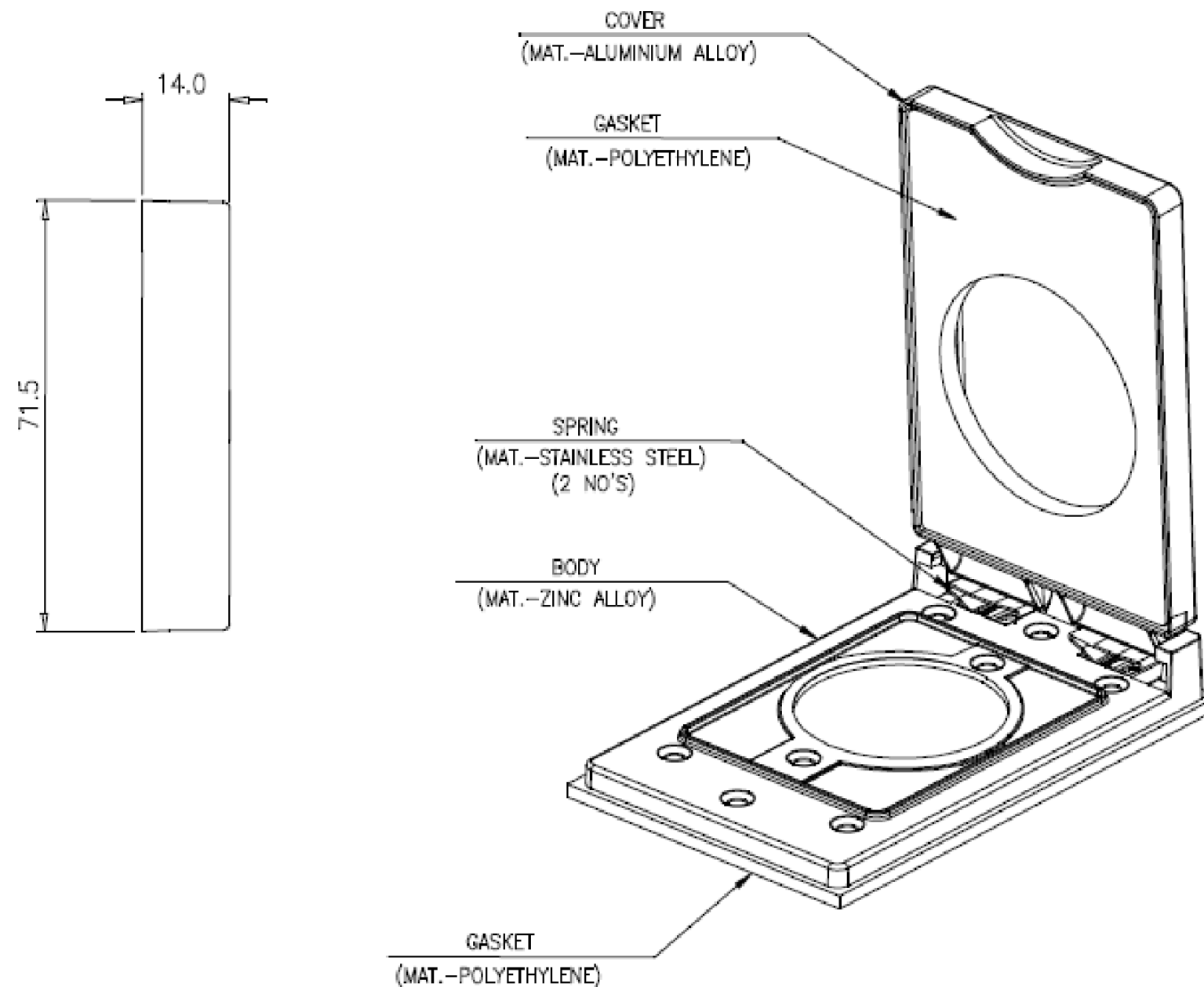
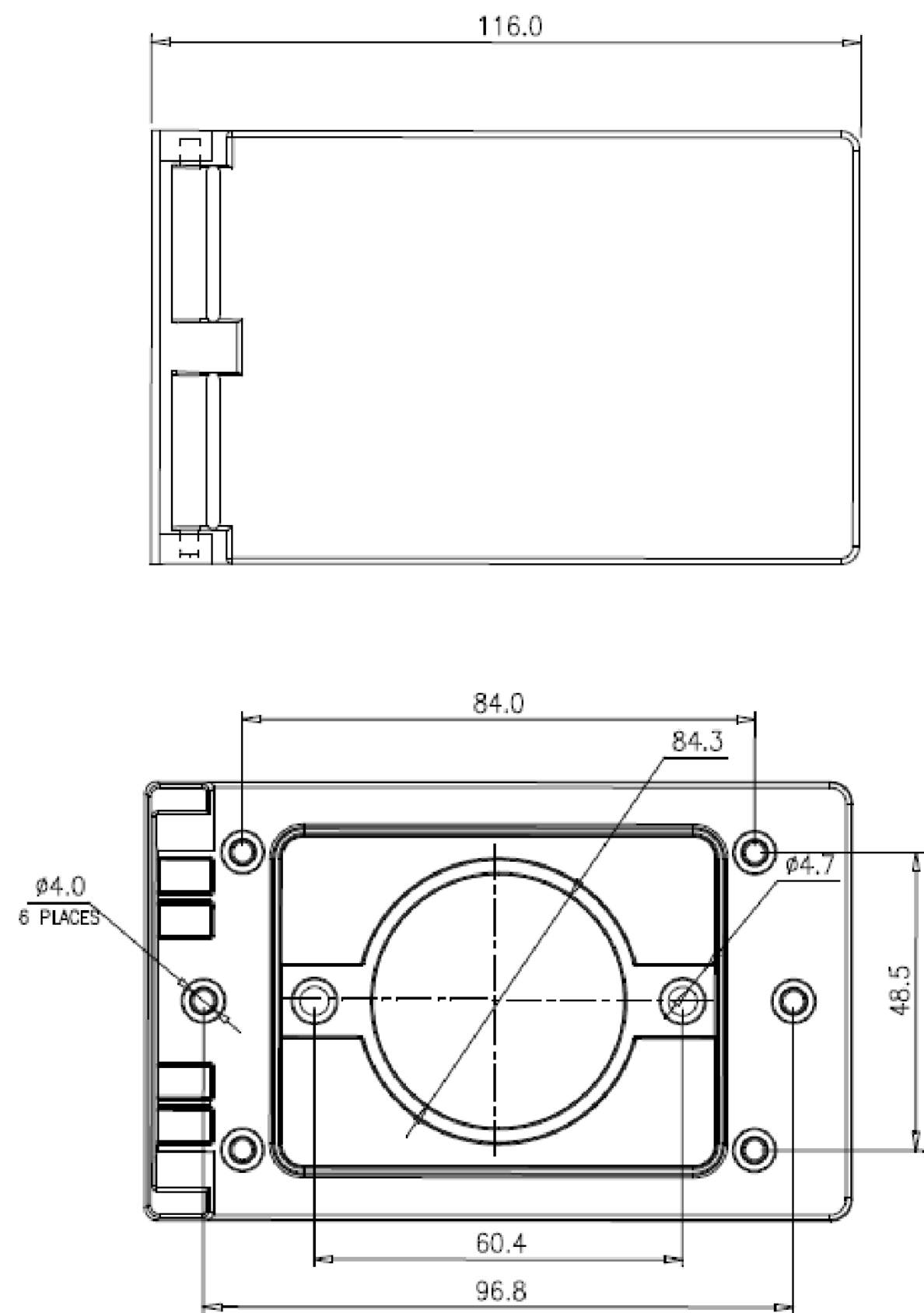
<p>THIS IS PROPERTY OF EATON AND CONTAINS CONFIDENTIAL AND TRADE SECRET INFORMATION. POSSESSION DOES NOT CONVEY ANY RIGHTS TO LOAN, USE OR DISCLOSE SAID INFORMATION. REPRODUCTION OR USE FOR ANY PURPOSE OTHER THAN WHICH IT WAS SUPPLIED MAY NOT BE MADE WITHOUT EXPRESS WRITTEN PERMISSION OF EATON. THIS DRAWING IS ON LOAN AND IS TO BE RETURNED UPON REQUEST.</p>	<p>TOLERANCES UNLESS OTHERWISE SPECIFIED</p> <table border="1"> <tr> <th></th> <th>in.</th> <th>mm</th> </tr> <tr> <td>.X</td> <td>± .1</td> <td>± .3</td> </tr> <tr> <td>.XX</td> <td>± .01</td> <td>± .13</td> </tr> <tr> <td>.XXX</td> <td>± .005</td> <td>± .000</td> </tr> <tr> <td>ANGLES</td> <td>± 1.5°</td> <td>± 1.5°</td> </tr> </table>			in.	mm	.X	± .1	± .3	.XX	± .01	± .13	.XXX	± .005	± .000	ANGLES	± 1.5°	± 1.5°	<p>UNLESS OTHERWISE SPECIFIED, ALL PRIMARY DIMENSIONS ARE IN INCHES. DIMENSIONS IN [ ] ARE IN MILLIMETERS.</p>		<p><b>EATON</b> CROUSE-HINDS SERIES</p>	
		in.	mm																		
	.X	± .1	± .3																		
	.XX	± .01	± .13																		
.XXX	± .005	± .000																			
ANGLES	± 1.5°	± 1.5°																			
MATERIAL:	DIM AND TOL IN ACCORDANCE WITH ASME Y14.5 2009.	THIRD ANGLE PROJECTION	ORIGINAL DATE	05/4/2020	TITLE 1 G WP VERT SINGLE REC OR SW																
FINISH:			REDRAWN DATE		FIRST MADE FOR WEATHERPROOF																
NEXT ASSY.	USED ON		DRAWN BY	TAK	SIZE	CODE IDENT. NO.															
APPLICATION			CHECKED BY		C	TP7															
			APPROVED BY		SCALE 1:1	WT.															
			APPROVED BY		SHEET 1 OF 1	REV. 1															

 **CHS Controls AB**  
Tel +46 42 38 61 00, Fax +46 42 38 61 29  
chs@chscontrols.se www.chscontrols.se

ZONE	NO.	DESCRIPTION	DATE	APPRD.	LTR. NO.
	1	SUBMIT FOR RELEASE	5/7/2020	PW	

1 G WP VERT SINGLE REC OR SW

TP7214	GREY
--------	------

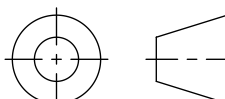


ACCESSORIES:

SR.No.	DESCRIPTION	QTY
1	SCREW (NO. 06 X 0.50")	2

NOTES:

- CERTIFICATION/LISTING:  
- ENVIRONMENTAL RATING:  
-WEATHERPROOF  
-WET LOCATION

<p>THIS IS PROPERTY OF EATON AND CONTAINS CONFIDENTIAL AND TRADE SECRET INFORMATION. POSSESSION DOES NOT CONVEY ANY RIGHTS TO LOAN, USE OR DISCLOSE SAID INFORMATION. REPRODUCTION OR USE FOR ANY PURPOSE OTHER THAN WHICH IT WAS SUPPLIED MAY NOT BE MADE WITHOUT EXPRESS WRITTEN PERMISSION OF EATON. THIS DRAWING IS ON LOAN AND IS TO BE RETURNED UPON REQUEST.</p>	<p>TOLERANCES UNLESS OTHERWISE SPECIFIED</p> <table border="1"> <tr> <th></th> <th>in.</th> <th>mm</th> </tr> <tr> <td>.X</td> <td>± .1</td> <td>± .3</td> </tr> <tr> <td>.XX</td> <td>± .01</td> <td>± .13</td> </tr> <tr> <td>.XXX</td> <td>± .005</td> <td>± .000</td> </tr> <tr> <td>ANGLES</td> <td>± 1.5°</td> <td>± 1.5°</td> </tr> </table>			in.	mm	.X	± .1	± .3	.XX	± .01	± .13	.XXX	± .005	± .000	ANGLES	± 1.5°	± 1.5°	<p>UNLESS OTHERWISE SPECIFIED, ALL PRIMARY DIMENSIONS ARE IN INCHES. DIMENSIONS IN [ ] ARE IN MILLIMETERS.</p>		<p><b>EATON</b> CROUSE-HINDS SERIES</p>	
		in.	mm																		
	.X	± .1	± .3																		
	.XX	± .01	± .13																		
.XXX	± .005	± .000																			
ANGLES	± 1.5°	± 1.5°																			
MATERIAL:	DIM AND TOL IN ACCORDANCE WITH ASME Y14.5 2009.	THIRD ANGLE PROJECTION	ORIGINAL DATE	05/4/2020	TITLE 1 G WP VERT SINGLE REC OR SW																
FINISH:			REDRAWN DATE		FIRST MADE FOR WEATHERPROOF																
NEXT ASSY.	USED ON		DRAWN BY	TAK	SIZE	CODE IDENT. NO.															
APPLICATION			CHECKED BY		C	TP7															
			APPROVED BY		SCALE 1:1	WT.															
			APPROVED BY		SHEET 1 OF 1	REV. 1															

 **CHS Controls AB**  
Tel +46 42 38 61 00, Fax +46 42 38 61 29  
chs@chscontrols.se www.chscontrols.se

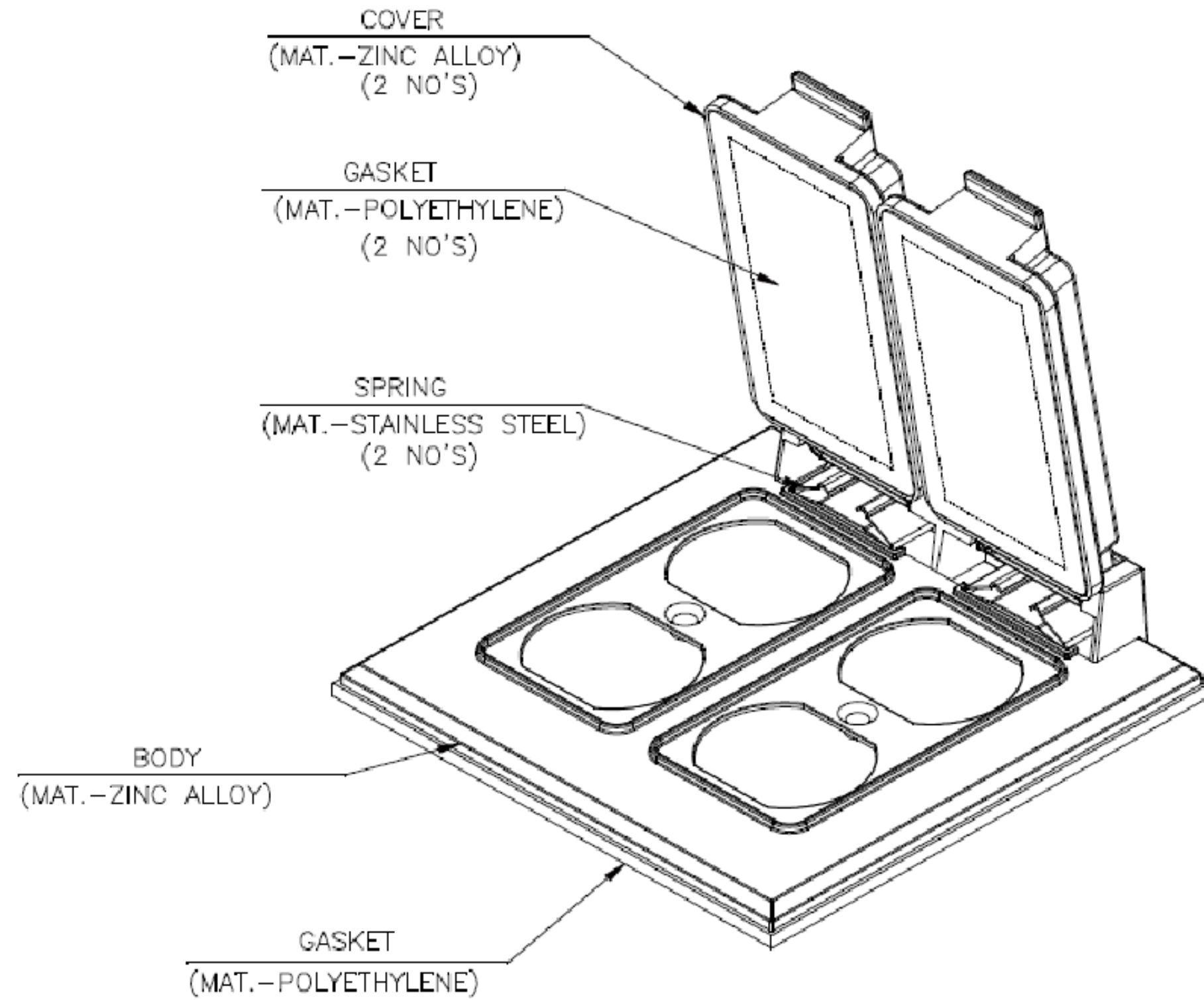
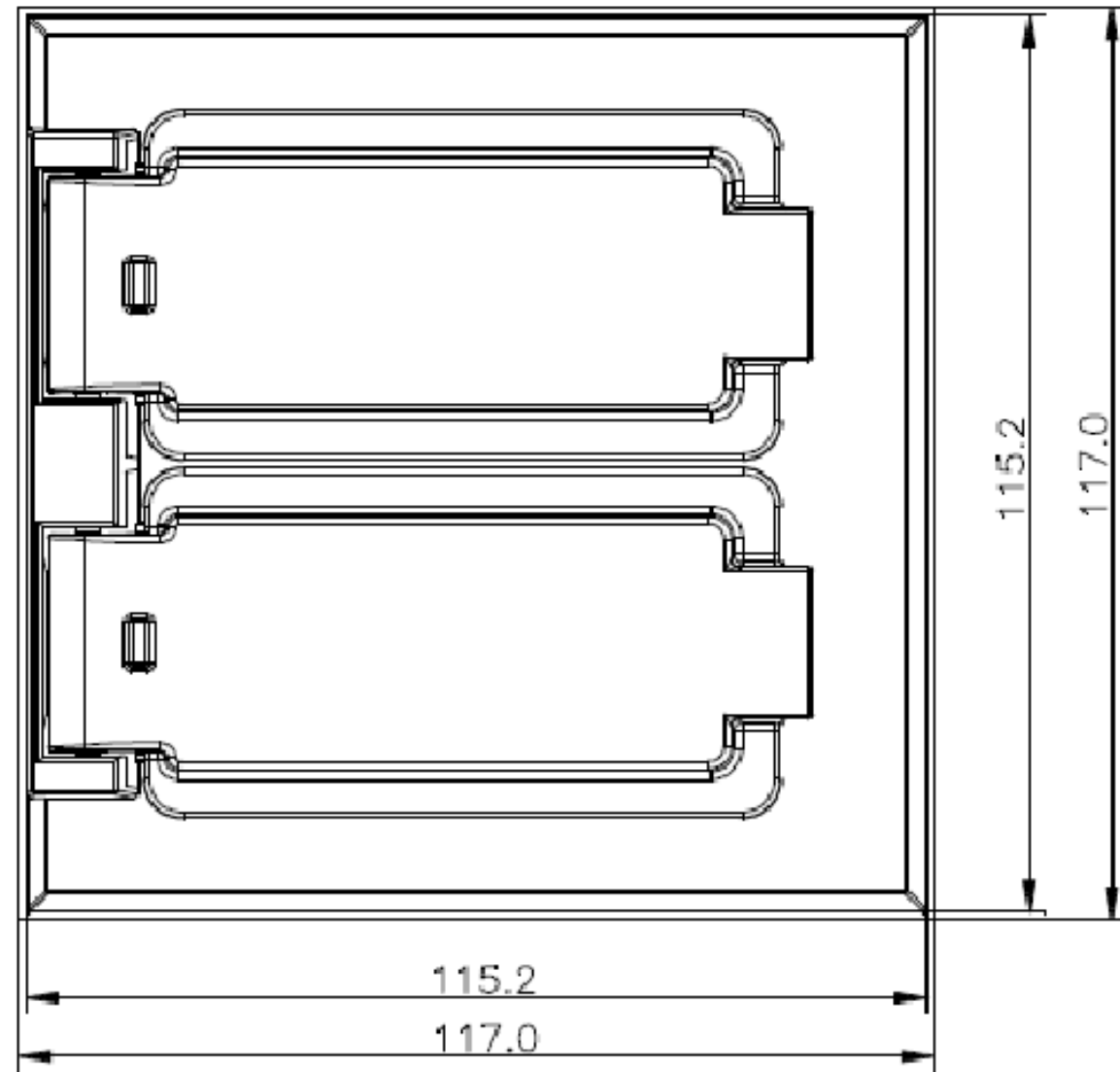
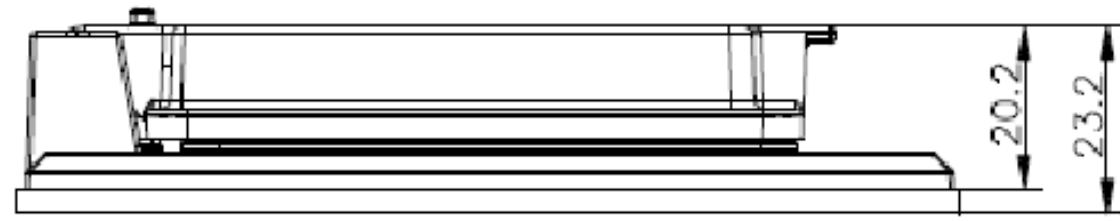
SW\_REV 11/2015

CCHSY-SW-Template-C

### 2 GANG VERTICAL DBL RECTANGULAR FLIP RECEPTACLE COVER

ZONE	NO.	DESCRIPTION	DATE	APPRD.	LTR. NO.
	1	SUBMIT FOR RELEASE	5/7/2020	PW	

TP7228	GREY
TP7230	BRONZE
TP7229	WHITE


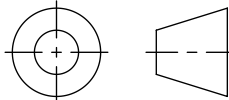


#### ACCESSORIES:

SR.No.	DESCRIPTION	QTY
1	SCREW (NO. 06 X 0.50")	2

#### NOTES:

- CERTIFICATION/LISTING:  
- ENVIRONMENTAL RATING:  
-WEATHERPROOF  
-WET LOCATION

<small>THIS IS PROPERTY OF EATON AND CONTAINS CONFIDENTIAL AND TRADE SECRET INFORMATION. POSSESSION DOES NOT CONVEY ANY RIGHTS TO LOAN, SELL OR DISCLOSE SAID INFORMATION. REPRODUCTION OR USE FOR ANY PURPOSE OTHER THAN WHICH IT WAS SUPPLIED MAY NOT BE MADE WITHOUT EXPRESS WRITTEN PERMISSION OF EATON. THIS DRAWING IS ON LOAN AND IS TO BE RETURNED UPON REQUEST.</small>	<b>TOLERANCES</b> UNLESS OTHERWISE SPECIFIED		UNLESS OTHERWISE SPECIFIED, ALL PRIMARY DIMENSIONS ARE IN INCHES. DIMENSIONS IN [ ] ARE IN MILLIMETERS.																		
	<table border="1"> <tr> <th></th> <th>in.</th> <th>mm</th> </tr> <tr> <td>.X</td> <td>± .1</td> <td>± .3</td> </tr> <tr> <td>.XX</td> <td>± .01</td> <td>± .13</td> </tr> <tr> <td>.XXX</td> <td>± .005</td> <td>± .000</td> </tr> <tr> <td>ANGLES</td> <td>± 1.5°</td> <td>± 1.5°</td> </tr> </table>			in.		mm	.X	± .1	± .3	.XX	± .01	± .13	.XXX	± .005	± .000	ANGLES	± 1.5°	± 1.5°	ORIGINAL DATE 05/4/2020	REDRAWN DATE 	<b>TITLE</b> 2 GANG VERT DBL REC FLIP COV
		in.	mm																		
	.X	± .1	± .3																		
.XX	± .01	± .13																			
.XXX	± .005	± .000																			
ANGLES	± 1.5°	± 1.5°																			
DIM AND TOL IN ACCORDANCE WITH ASME Y14.5 2009.		DRAWN BY TAK	CHECKED BY 	FIRST MADE FOR WEATHERPROOF																	
MATERIAL:		THIRD ANGLE PROJECTION	APPROVED BY 	APPROVED BY 	<table border="1"> <tr> <td>SIZE</td> <td>CODE IDENT. NO.</td> <td rowspan="2">TP7</td> <td rowspan="2">REV. 1</td> </tr> <tr> <td>C</td> <td></td> </tr> </table>	SIZE	CODE IDENT. NO.	TP7	REV. 1	C											
SIZE	CODE IDENT. NO.	TP7	REV. 1																		
C																					
FINISH:	NEXT ASSY.      USED ON		APPLICATION	SCALE 1:1	WT.	SHEET 1 OF 1															

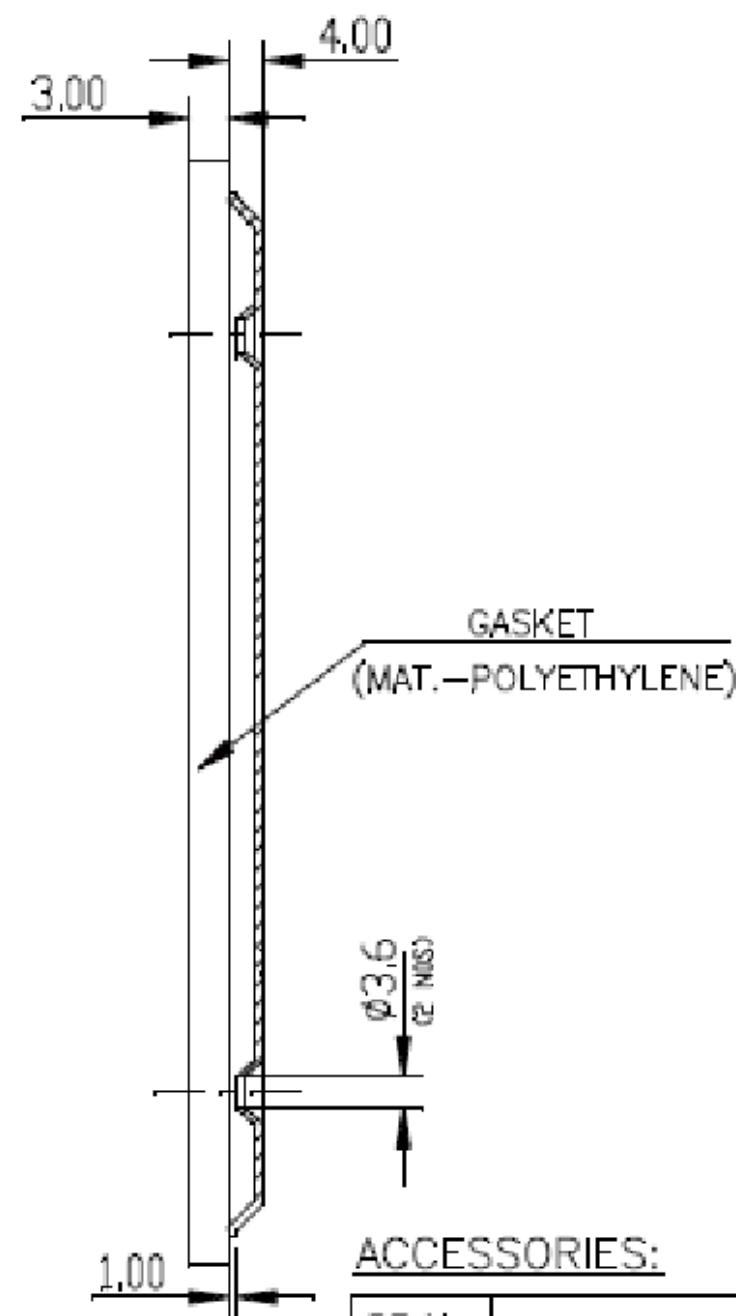
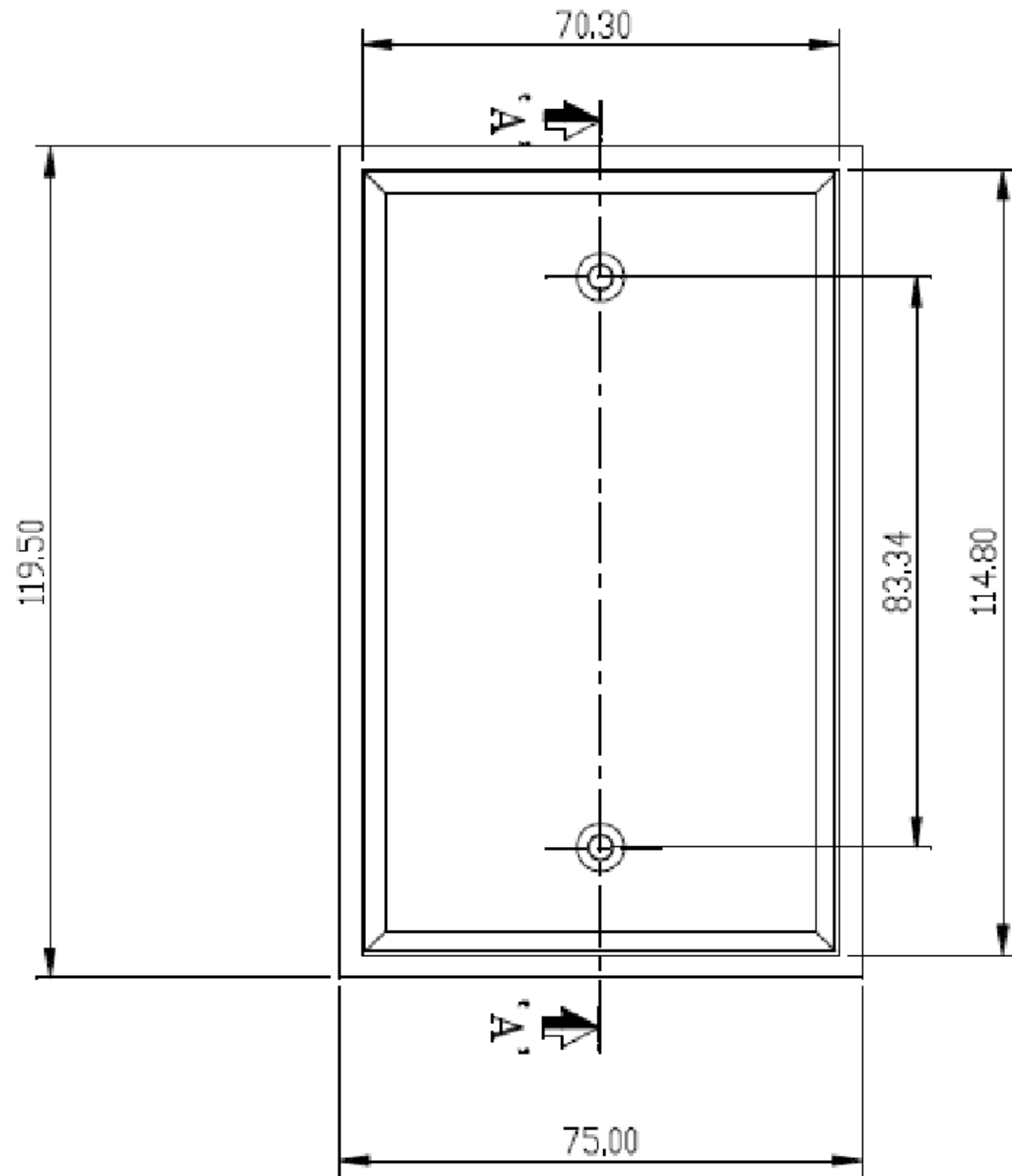
 **CHS Controls AB**  
Tel +46 42 38 61 00, Fax +46 42 38 61 29  
chs@chscontrols.se www.chscontrols.se

CCHSY-SW-Template-C SW\_REV 11/2015

ZONE	NO.	DESCRIPTION	DATE	APPRD.	LTR. NO.
	1	SUBMIT FOR RELEASE	5/7/2020	PW	

SINGLE GANG BLANK WP COVER

TP7294	BRONZE
TP7292	GREY
TP7293	WHITE



ACCESSORIES:

SR.No.	DESCRIPTION	QTY
1	SCREW (NO. 06 X 0.50")	2

NOTES:

- CERTIFICATION/LISTING:
- ENVIRONMENTAL RATING:  
-WEATHERPROOF  
-WET LOCATION

<small>THIS IS PROPERTY OF EATON AND CONTAINS CONFIDENTIAL AND TRADE SECRET INFORMATION. POSSESSION DOES NOT CONVEY ANY RIGHTS TO LOAN, SELL OR DISCLOSE SAID INFORMATION. REPRODUCTION OR USE FOR ANY PURPOSE OTHER THAN WHICH IT WAS SUPPLIED MAY NOT BE MADE WITHOUT EXPRESS WRITTEN PERMISSION OF EATON. THIS DRAWING IS ON LOAN AND IS TO BE RETURNED UPON REQUEST.</small>	<b>TOLERANCES</b> UNLESS OTHERWISE SPECIFIED		UNLESS OTHERWISE SPECIFIED, ALL PRIMARY DIMENSIONS ARE IN INCHES. DIMENSIONS IN [ ] ARE IN MILLIMETERS.																			
	<table border="1"> <tr> <th></th> <th>in.</th> <th>mm</th> </tr> <tr> <td>.X</td> <td>± .1</td> <td>± .3</td> </tr> <tr> <td>.XX</td> <td>± .01</td> <td>± .13</td> </tr> <tr> <td>.XXX</td> <td>± .005</td> <td>± .000</td> </tr> <tr> <td>ANGLES</td> <td>± 1.5°</td> <td>± 1.5°</td> </tr> </table>			in.		mm	.X	± .1	± .3	.XX	± .01	± .13	.XXX	± .005	± .000	ANGLES	± 1.5°	± 1.5°	ORIGINAL DATE	05/4/2020	TITLE	SINGLE GANG BLANK WP COV
		in.	mm																			
	.X	± .1	± .3																			
.XX	± .01	± .13																				
.XXX	± .005	± .000																				
ANGLES	± 1.5°	± 1.5°																				
DIM AND TOL IN ACCORDANCE WITH ASME Y14.5 2009.		REDRAWN DATE		DRAWN BY	TAK																	
THIRD ANGLE PROJECTION		CHECKED BY		APPROVED BY																		
MATERIAL:		APPROVED BY		APPROVED BY																		
FINISH:		APPLICATION		SIZE <b>C</b>	CODE IDENT. NO. <b>TP7</b>																	
NEXT ASSY.	USED ON			SCALE 1:1	WT.																	
				SHEET 1 OF 1	REV. 1																	

**CHS Controls AB**  
Tel +46 42 38 61 00, Fax +46 42 38 61 29  
chs@chscontrols.se www.chscontrols.se

SW\_REV 11/2015

CCHSY-SW-Template-C



ZONE	NO.	DESCRIPTION	DATE	APPRD.	LTR. NO.
	1	SUBMIT FOR RELEASE	5/7/2020	PW	

2 GANG BLANK WP COVER

TP7298	BRONZE
TP7296	GREY
TP7297	WHITE

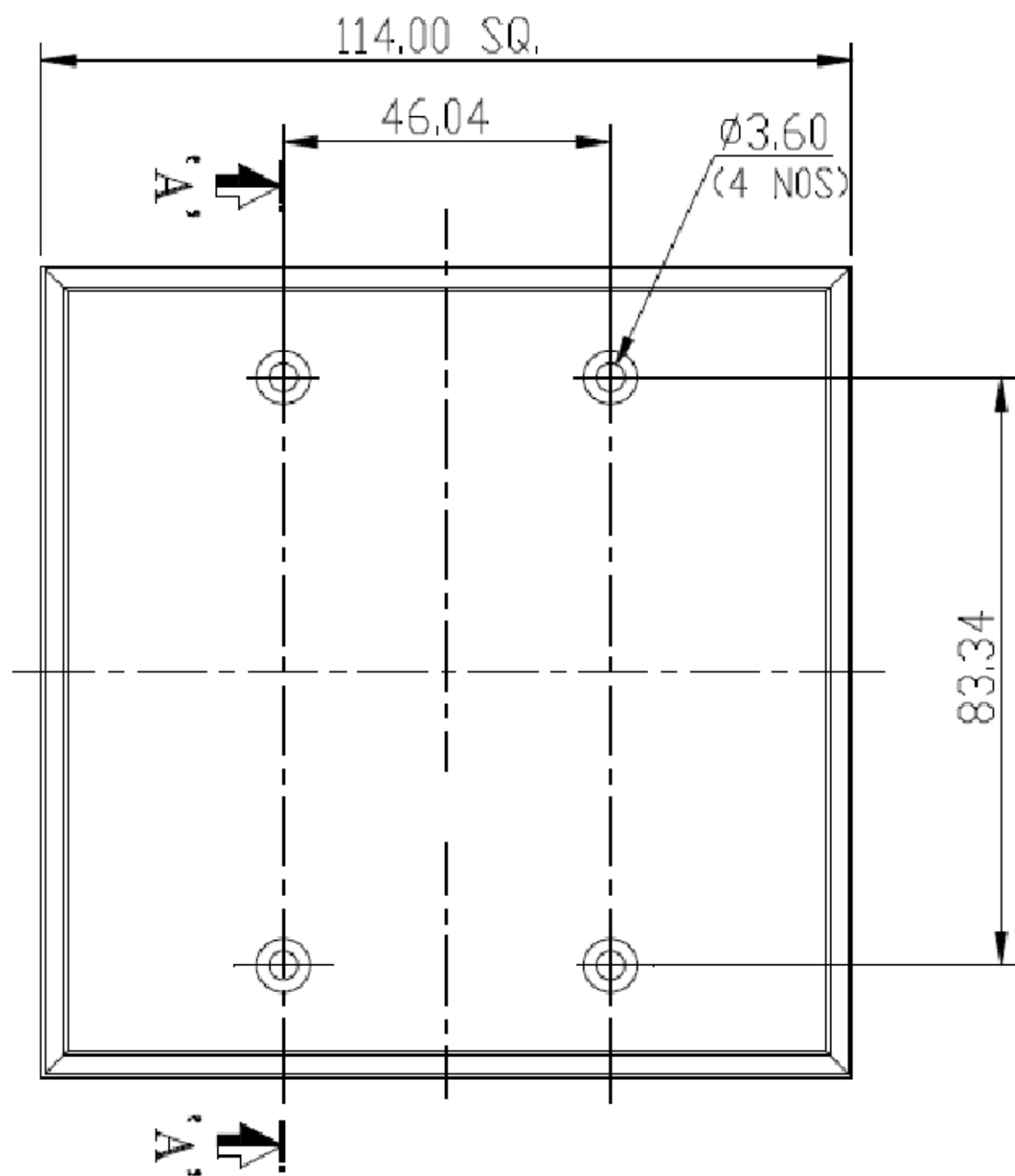
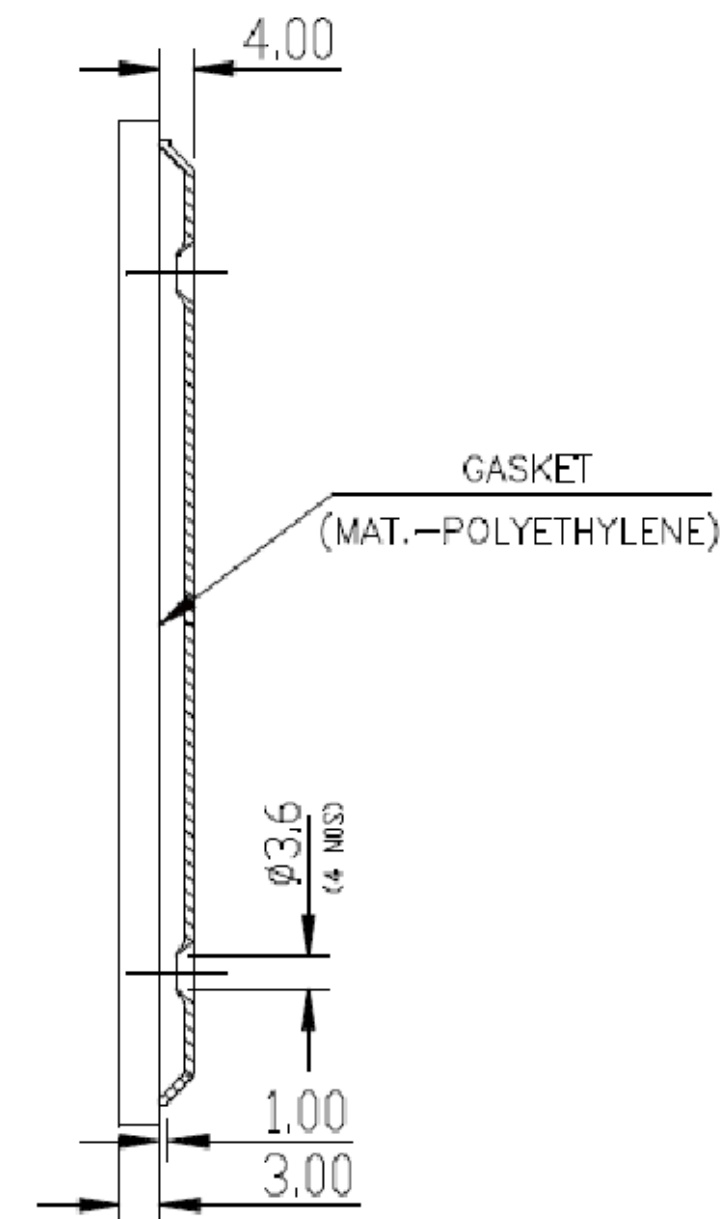


FIG 'A'



SECTION 'A'-'A'  
FIG 'B'

ACCESSORIES:

SR.No.	DESCRIPTION	QTY
1	SCREW (NO. 06 X 0.50")	4

NOTES:

- CERTIFICATION/LISTING:
- ENVIRONMENTAL RATING:  
-WEATHERPROOF  
-WET LOCATION

<small>THIS IS PROPERTY OF EATON AND CONTAINS CONFIDENTIAL AND TRADE SECRET INFORMATION. POSSESSION DOES NOT CONVEY ANY RIGHTS TO LOAN, SELL OR DISCLOSE SAID INFORMATION. REPRODUCTION OR USE FOR ANY PURPOSE OTHER THAN WHICH IT WAS SUPPLIED MAY NOT BE MADE WITHOUT EXPRESS WRITTEN PERMISSION OF EATON. THIS DRAWING IS ON LOAN AND IS TO BE RETURNED UPON REQUEST.</small>	<b>TOLERANCES UNLESS OTHERWISE SPECIFIED</b>		<small>UNLESS OTHERWISE SPECIFIED, ALL PRIMARY DIMENSIONS ARE IN INCHES. DIMENSIONS IN [ ] ARE IN MILLIMETERS.</small>																	
	<table border="1"> <tr> <th></th> <th>in.</th> <th>mm</th> </tr> <tr> <td>.X</td> <td>± .1</td> <td>± .3</td> </tr> <tr> <td>.XX</td> <td>± .01</td> <td>± .13</td> </tr> <tr> <td>.XXX</td> <td>± .005</td> <td>± .000</td> </tr> <tr> <td>ANGLES</td> <td>± 1.5°</td> <td>± 1.5°</td> </tr> </table>		in.	mm		.X	± .1	± .3	.XX	± .01	± .13	.XXX	± .005	± .000	ANGLES	± 1.5°	± 1.5°	ORIGINAL DATE 05/4/2020	REDRAWN DATE DRAWN BY TAK	TITLE 2 GANG BLANK WP COV
		in.	mm																	
	.X	± .1	± .3																	
.XX	± .01	± .13																		
.XXX	± .005	± .000																		
ANGLES	± 1.5°	± 1.5°																		
DIM AND TOL IN ACCORDANCE WITH ASME Y14.5 2009.	CHECKED BY	APPROVED BY	FIRST MADE FOR WEATHERPROOF																	
MATERIAL: FINISH: NEXT ASSY.      USED ON APPLICATION	THIRD ANGLE PROJECTION 	APPROVED BY	SIZE C	CODE IDENT. NO. TP7	REV. 1															
		SCALE 1:1	WT.	SHEET 1 OF 1																

**CHS Controls AB**  
 Tel +46 42 38 61 00, Fax +46 42 38 61 29  
 chs@chscontrols.se www.chscontrols.se

SW\_REV 11/2015

CCHSY-SW-Template-C