

xEffect - Industrial Switchgear Range DC Switch-Disconnect PV-DIS 2-poles



Catalog



Powering Business Worldwide



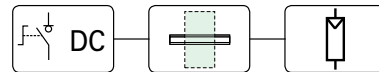
CHS Controls AB
Tel +46 42 38 61 00, Fax +46 42 38 61 29
chs@chscontrols.se www.chscontrols.se

sg09615



Description

- Photovoltaic - Switch-disconnectors
- Acc .to EN 60947-3 DC-PV1 or DC-PV2 resp.
- Very compact
- Improved reliability due to independent manual operation
- Stable performance at any load current
- Polarity independent
- Only one path per pole => lower power loss



DC Switch-Disconnecter PV-DIS 2-poles

sg09615

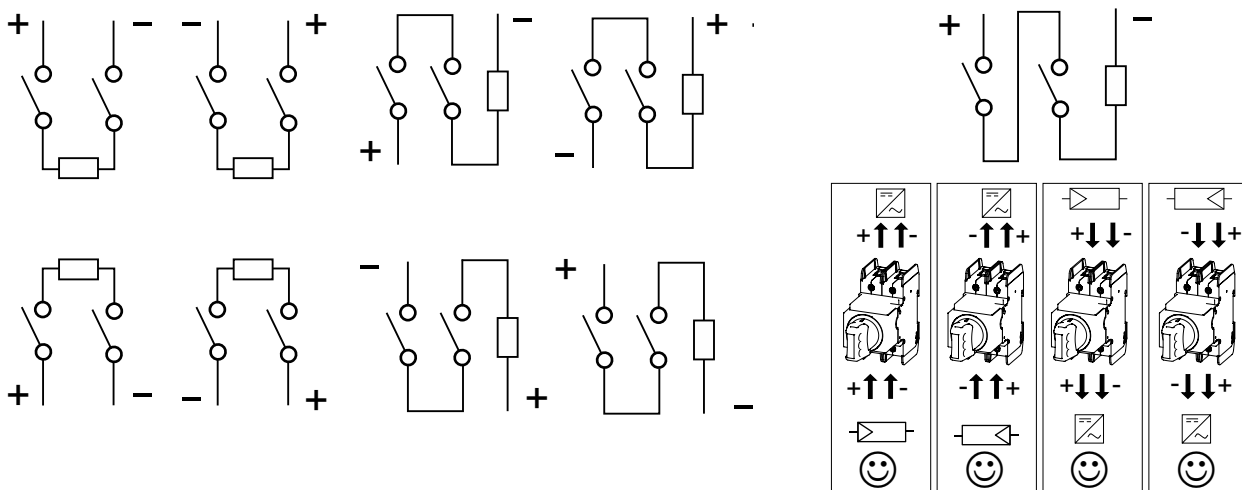


Rated operating current I_e (A)	Type Designation	Article No.	Units per package
2-poles with rotary handle, 600 V			
16	PV-DIS-06-16/2-ROT	179259	1
32	PV-DIS-06-32/2-ROT	179260	1
63	PV-DIS-06-63/2-ROT	179261	1
100	PV-DIS-06-100/2-ROT	185503	1
125	PV-DIS-06-125/2-ROT	179262	1
2-poles with rotary handle, 800 V			
16	PV-DIS-08-16/2-ROT	179263	1
32	PV-DIS-08-32/2-ROT	179264	1
63	PV-DIS-08-63/2-ROT	179265	1
100	PV-DIS-08-100/2-ROT	185504	1
125	PV-DIS-08-125/2-ROT	179266	1
2-poles with rotary handle, 1000 V			
16	PV-DIS-10-16/2-ROT	179267	1
32	PV-DIS-10-32/2-ROT	179268	1
63	PV-DIS-10-63/2-ROT	179269	1
100	PV-DIS-10-100/2-ROT	185505	1
125	PV-DIS-10-125/2-ROT	179270	1
2-poles without rotary handle, 600 V			
16	PV-DIS-06-16/2	179255	1
32	PV-DIS-06-32/2	179256	1
63	PV-DIS-06-63/2	179257	1
100	PV-DIS-06-100/2	185502	1
125	PV-DIS-06-125/2	179258	1

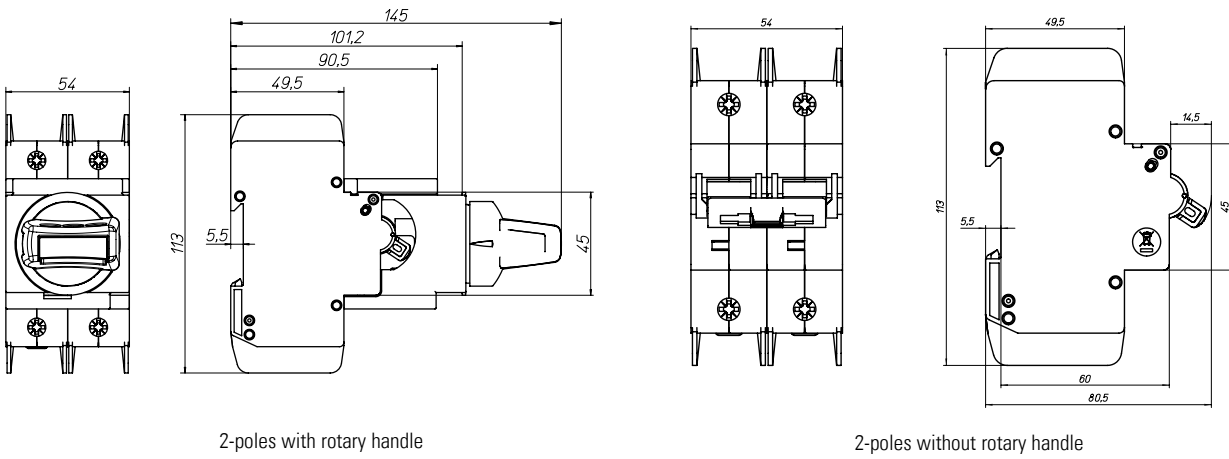
Technical Data

	PV-DIS-06...	PV-DIS-08...	PV-DIS-10...
Rated operating voltage	600 V	800 V	1000 V
Rated impulse withstand voltage	4 kV	6 kV	6 kV
	PV-DIS-.../2	PV-DIS-.../2-ROT	
Rated insulation voltage	630 V	1000 V	
Utilization category (acc. to EN 60947-3)			
Rated operating current I _b 16-100 A	DC-PV2		
Rated operating current I _b 125 A	DC-PV1		
Mechanical operations	acc. to IEC 60947-3 Category of utilization DC-PV2 or DC-PV1		
Electrical operations	acc. to IEC 60947-3 Category of utilization DC-PV2 or DC-PV1		
Rated frequency / Operating frequency	DC only		
Approbation	ÖVE, VDE		
Resistance to climatic conditions according to	IEC 60947-2		
Shock resistance, Vibration resistance acc. to	IEC 60947-2		
Dimensions	according to drawing		
Dimensions of terminals	2.5-50 mm ²		
Cable material	Cu		
Degree of protection	IP20		
Degree of protection, built-in	IP40		
Mounting position	DIN-Rail, Rotation +90°, -90°, 180°		
Ambient temperature range	40 to +85 °C		
Storage Temperature	40 to +85 °C		
Max. DC contact rating	100 %		
Safe electrical isolation	yes		
Supply side	interchangeable		
Polarity	interchangeable		

Wiring Examples



Dimensions (mm)



Rated operating current at different voltages

DC-PV1: Switching of single PV string(s) without reverse and overcurrents

DC-PV2: Switching of several PV strings with reverse and overcurrents

2-poles with rotary handle, 600V

Type designation	PV-DIS-06-16/2(-ROT)	PV-DIS-06-32/2(-ROT)	PV-DIS-06-63/2(-ROT)	PV-DIS-06-100/2(-ROT)	PV-DIS-06-125/2(-ROT)
DCPV1	Utilization category (acc. to EN 60947-3)				
Rated operating voltage (DC)	Rated operating current I _e				
300V	16A	32A	63A	100A	125A
400V					
500V					
600V					

Type designation	PV-DIS-06-16/2(-ROT)	PV-DIS-06-32/2(-ROT)	PV-DIS-06-63/2(-ROT)	PV-DIS-06-100/2(-ROT)	PV-DIS-06-125/2(-ROT)
DCPV2	Utilization category (acc. to EN 60947-3)				
Rated operating voltage (DC)	Rated operating current I _e				
300V	16A	32A	63A	100A	125A
400V					
500V					
600V					

2-poles without rotary handle, 600V

Type designation	PV-DIS-06-16/2	PV-DIS-06-32/2	PV-DIS-06-63/2	PV-DIS-06-100/2	PV-DIS-06-125/2
DCPV2	Utilization category (acc. to EN 60947-3)				
Rated operating voltage (DC)	Rated operating current I _e				
300V	16A	32A	63A	100A	125A
400V					
500V					
600V					

2-poles with rotary handle, 800 V

Type designation	PV-DIS-06-16/2(-ROT)	PV-DIS-06-32/2(-ROT)	PV-DIS-06-63/2(-ROT)	PV-DIS-06-100/2(-ROT)	PV-DIS-06-125/2(-ROT)
DCPV1	Utilization category (acc. to EN 60947-3)				
Rated operating voltage (DC)	Rated operating current I _e				
300V	16A	32A	63A	100A	125A
400V					
500V					
600V					
700V					
800V					

Type designation	PV-DIS-06-16/2(-ROT)	PV-DIS-06-32/2(-ROT)	PV-DIS-06-63/2(-ROT)	PV-DIS-06-100/2(-ROT)	PV-DIS-06-125/2(-ROT)
DCPV2	Utilization category (acc. to EN 60947-3)				
Rated operating voltage (DC)	Rated operating current I _e				
300V	16A	32A	63A	100A	125A
400V					
500V					
600V					
700V					
800V					

Rated operating current at different voltages

DC-PV1: Switching of single PV string(s) without reverse and overcurrents

DC-PV2: Switching of several PV strings with reverse and overcurrents

2-poles with rotary handle, 1000 V

Type designation	PV-DIS-06-16/2(-ROT)	PV-DIS-06-32/2(-ROT)	PV-DIS-06-63/2(-ROT)	PV-DIS-06-100/2(-ROT)	PV-DIS-06-125/2(-ROT)
DCPV1	Utilization category (acc. to EN 60947-3)				
Rated operating voltage (DC)	Rated operating current I _o				
300V	16A	32A	63A	100A	125A
400V					
500V					
600V					
700V					
800V					
900V					
1000V					

Type designation	PV-DIS-06-16/2(-ROT)	PV-DIS-06-32/2(-ROT)	PV-DIS-06-63/2(-ROT)	PV-DIS-06-100/2(-ROT)	PV-DIS-06-125/2(-ROT)
DCPV2	Utilization category (acc. to EN 60947-3)				
Rated operating voltage (DC)	Rated operating current I _o				
300V	16A	32A	63A	100A	125A
400V					
500V					
600V				90A	110A
700V					
800V					
900V					
1000V					
80A					
100A					

Eaton's electrical business is a global leader with deep regional application expertise in power distribution and circuit protection; power quality, backup power and energy storage; control and automation; life safety and security; structural solutions; and harsh and hazardous environment solutions. Through end-to-end services, channel and an integrated digital platform & insights Eaton is powering what matters across industries and around the world, helping customers solve their most critical electrical power management challenges.

For more information, visit [Eaton.com](https://www.eaton.com).



Eaton Industries (Austria) GmbH

Scheydgasse 42
1210 Vienna
Austria



CHS Controls AB

Florettgatan 33
SE-254 67 Helsingborg, Sweden
Tel +46 42 38 61 00, Fax +46 42 38 61 29
chs@chscontrols.se
www.chscontrols.se

Eaton
EMEA Headquarters
Route de la Longeraie 7
1110 Morges, Switzerland

© 2021 Eaton
All Rights Reserved
Printed in Austria
Publication No. CA003023EN
Article number 302013-MK
April 2021
Graphics: SRA, Schrems

Changes to the products, to the information contained in this document, and to prices are reserved; as are errors and omissions. Only order confirmations and technical documentation by Eaton is binding. Photos and pictures also do not warrant a specific layout or functionality. Their use in whatever form is subject to prior approval by Eaton. The same applies to trademarks (especially Eaton, Moeller, and Cutler-Hammer). The Terms and Conditions of Eaton apply, as referenced on Eaton Internet pages and Eaton order confirmations.

Eaton is a registered trademark.

All other trademarks are property of their respective owners.

Follow us on social media to get the latest product and support information.

